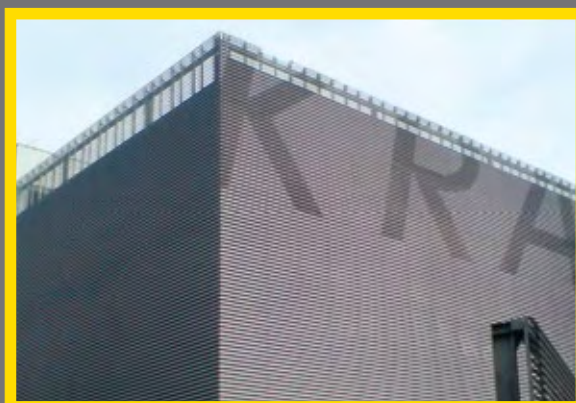
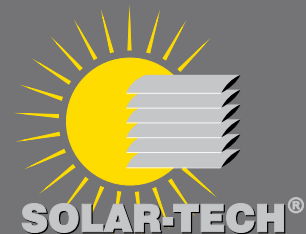
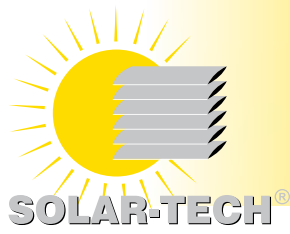


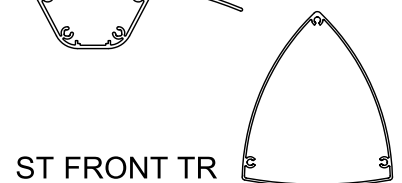
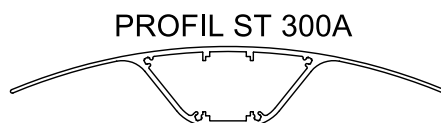
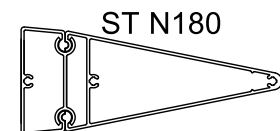
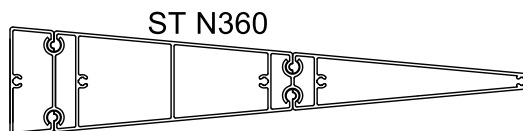
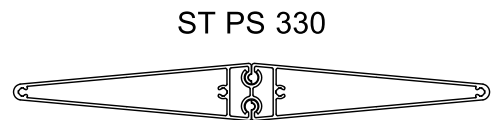
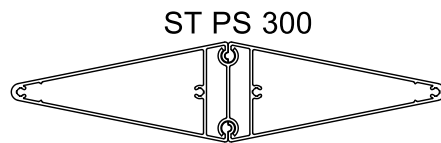
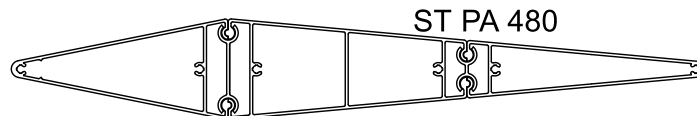
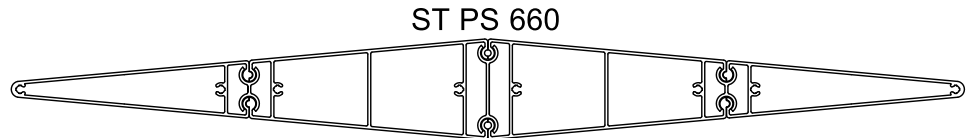
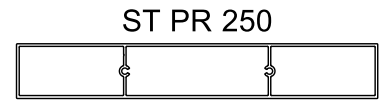
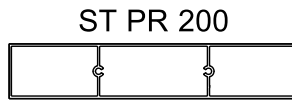
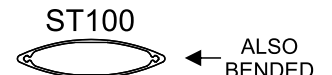
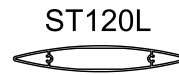
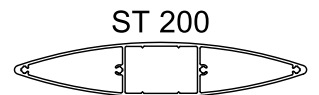
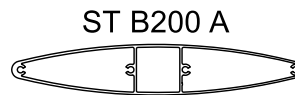
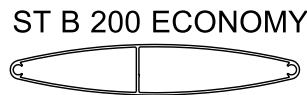
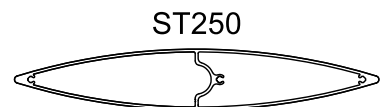
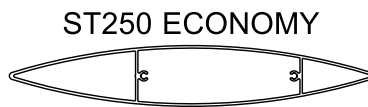
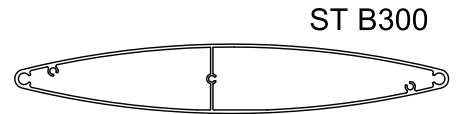
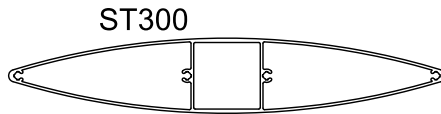
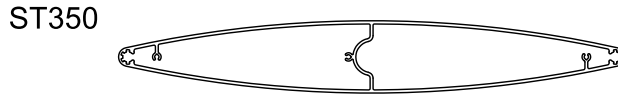
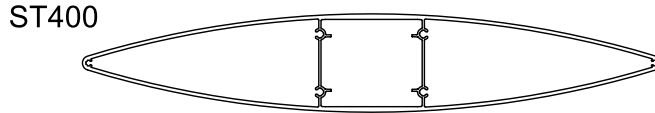
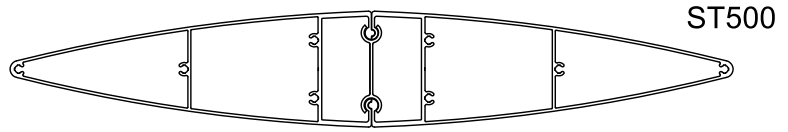
SOLAR-TECH FOR MANUFACTURERS AND BUILDING SUPPLIERS



SOLAR-TECH SP. Z O.O. SP. K. BISKUPIŃSKA STREET 23, 30-732 CRACOW
PHONE (+48 12) 290 04 06, 290 04 07, FAX (+48 12) 653 22 68
www.solar-tech.com.pl



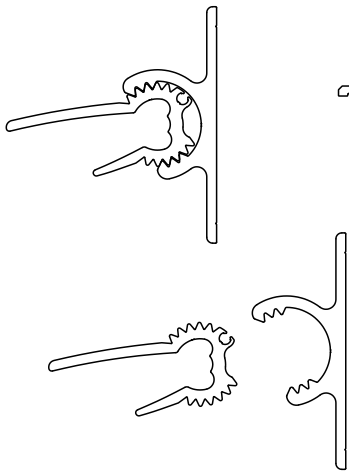
SUN SHADING LOUVERS



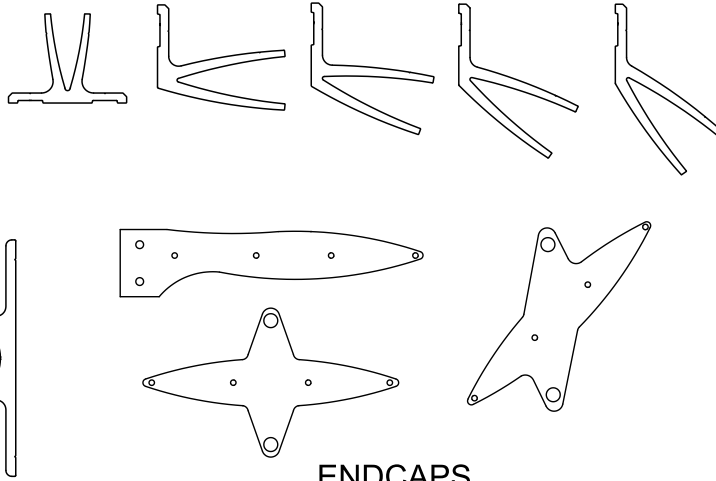
ASK ABOUT MORE SHAPES

ACCESSORIES

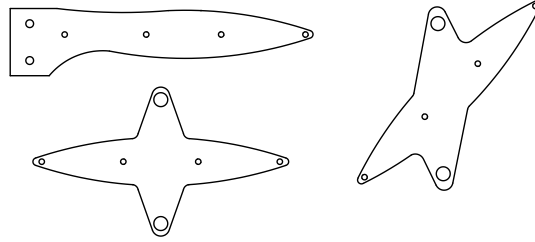
BRACKETS (DOUBLE)



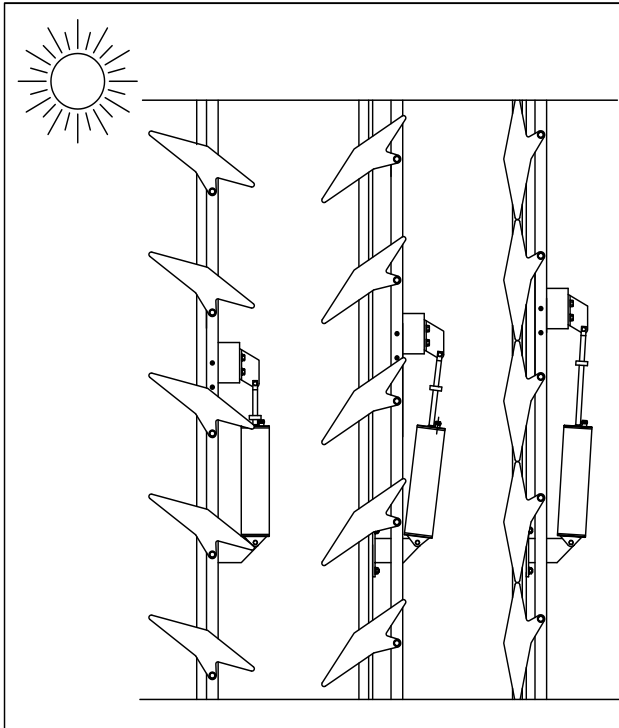
BRACKETS (SINGLE)



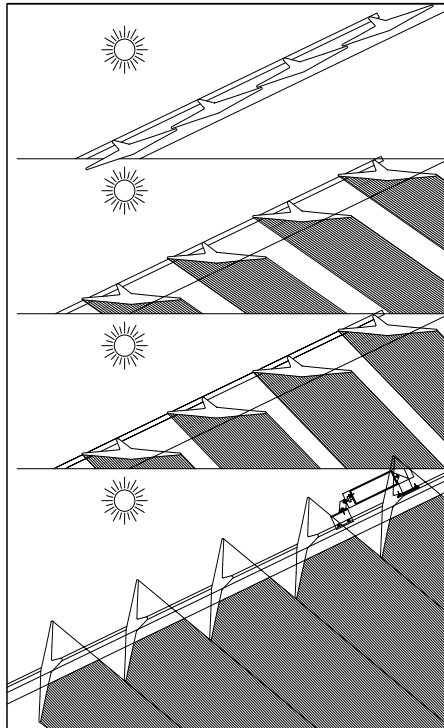
ENDCAPS
(ANY ANGLE)



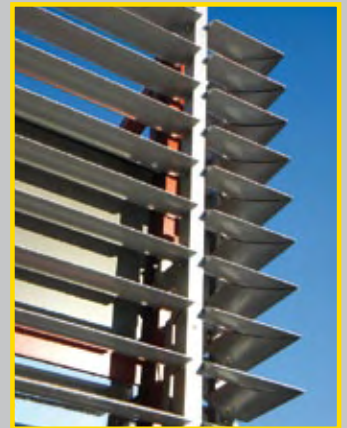
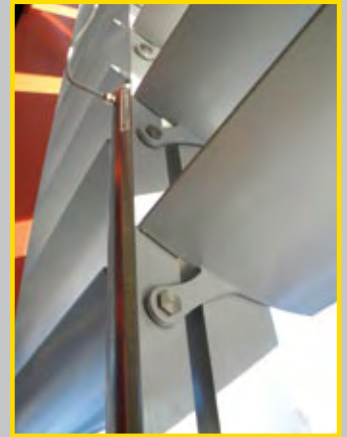
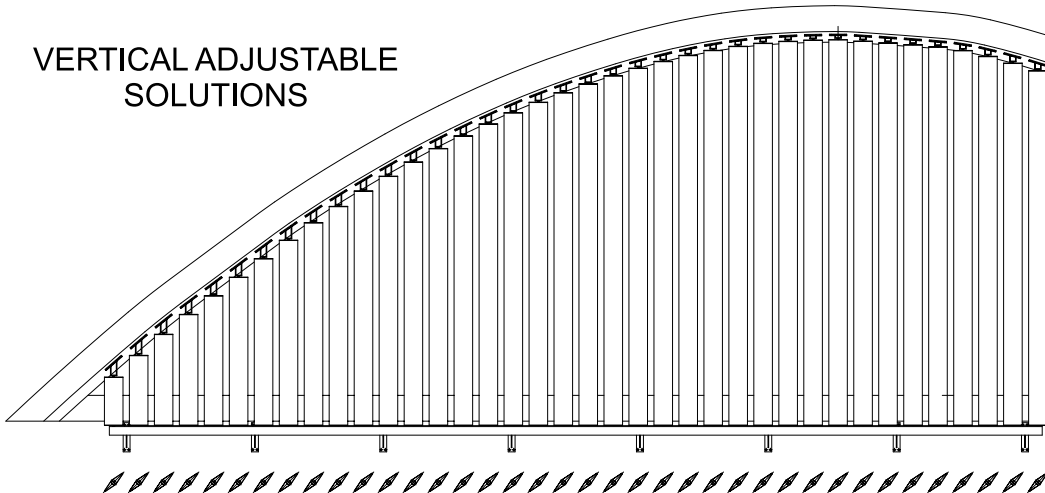
HORIZONTAL
ADJUSTABLE SOLUTIONS

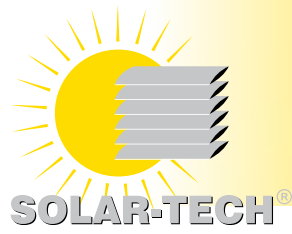


SHADING



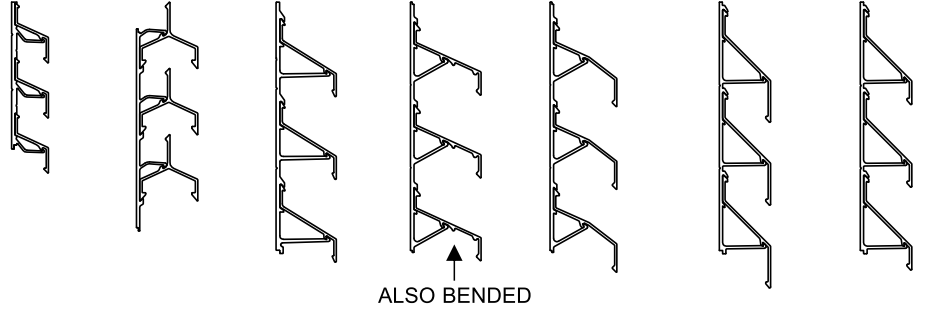
VERTICAL ADJUSTABLE
SOLUTIONS



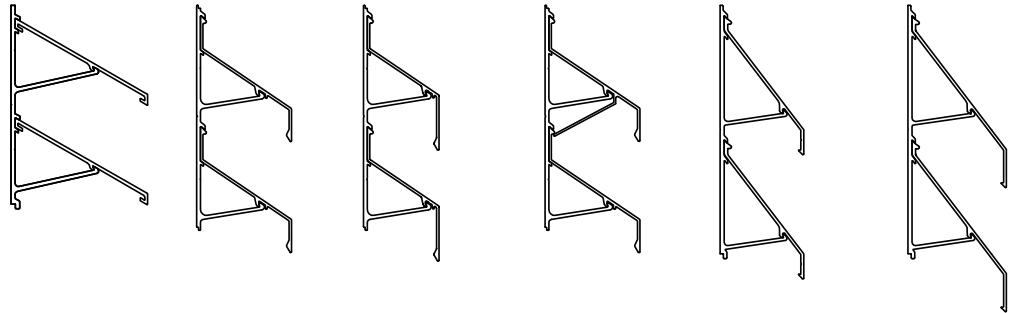


TECHNICAL AND VENTILATION LOUVERS

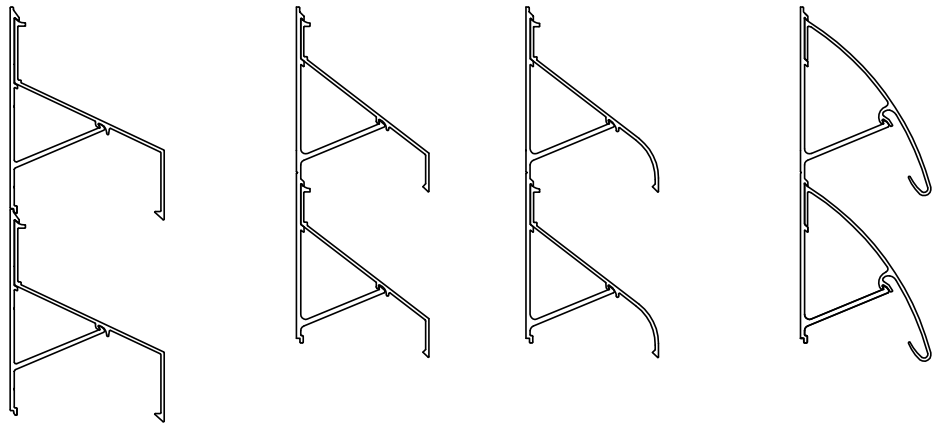
ST 333Z ST 40V ST 50 Z ECO ST 50 Z ST 50 Z BREAK ST 50 ZPL ST 50 ZP



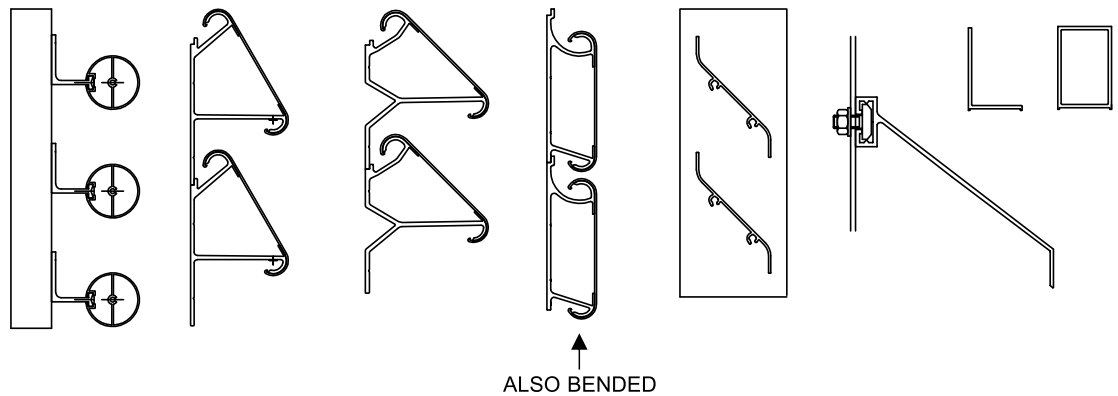
ST 60 Z ST 67 Z ST 65 ZL ST 67Z_0 ST 75_ZH ST 75H_90



ST 122 Z ST 100 ZL ST 100S ST 130S

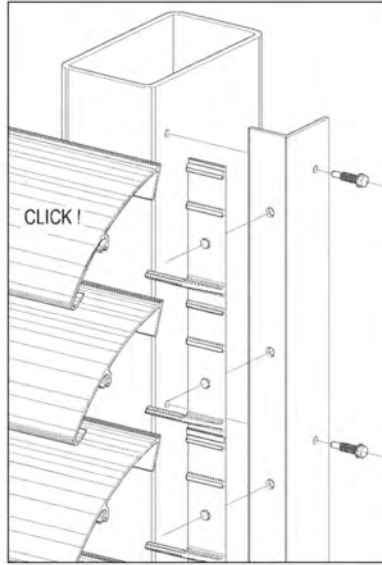
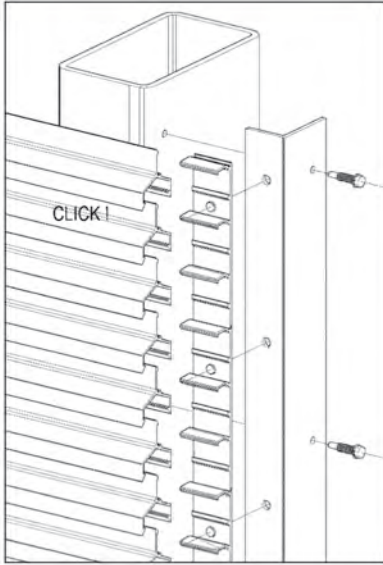


ST OK 40 ST 85C_30 ST 85C_45 ST 85C_0 ST ZW70 ST ZT ST L 50Z ST P 50Z

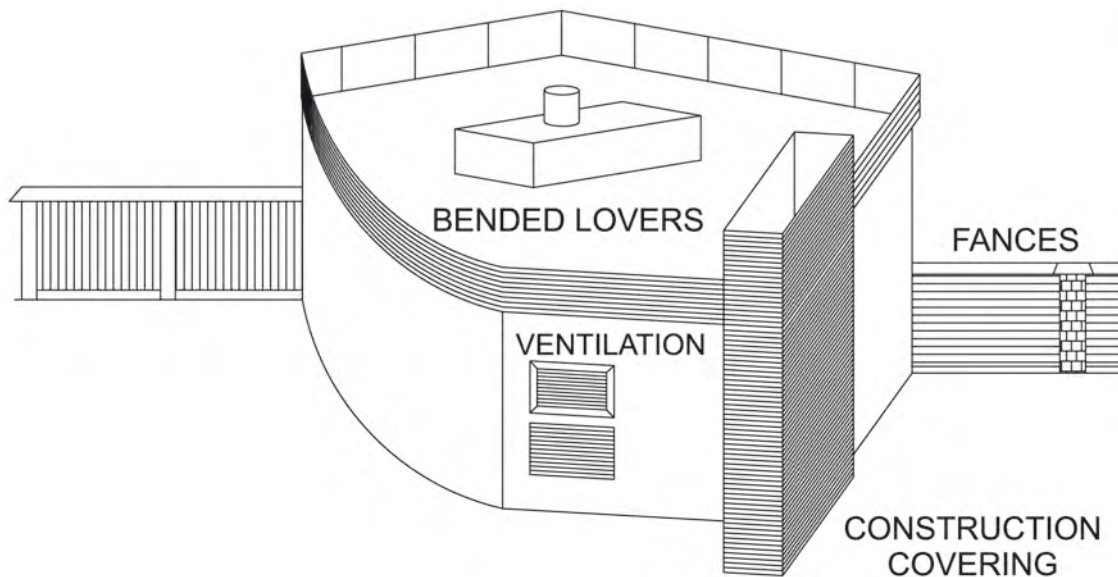
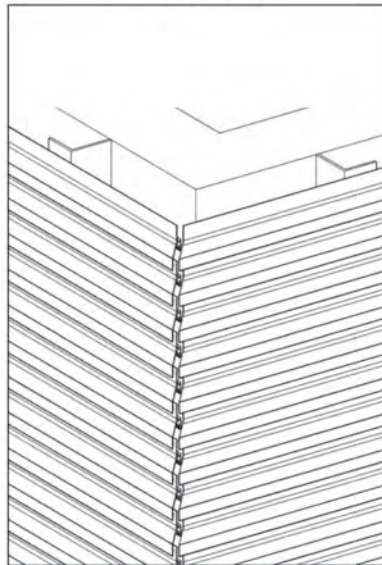
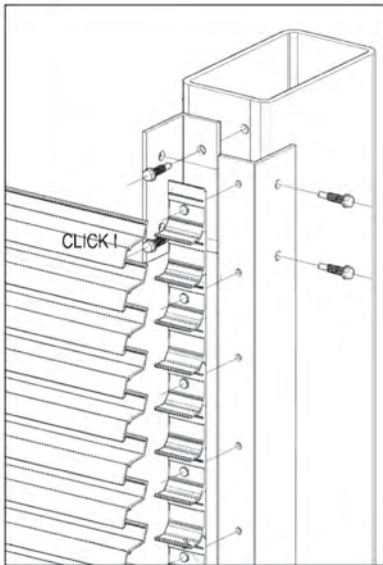


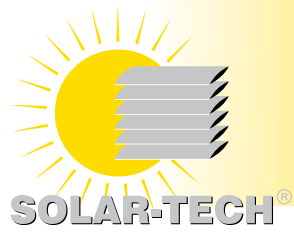
TYPICAL APPLICATIONS FOR TECHNICAL LOUVERS

3D MODEL



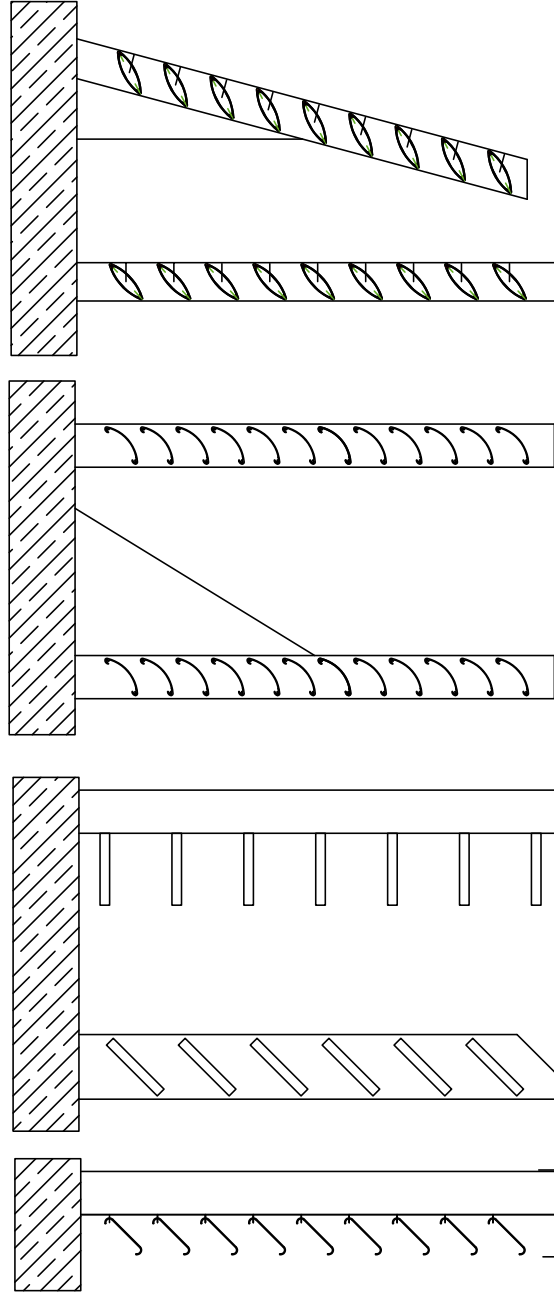
CORNER



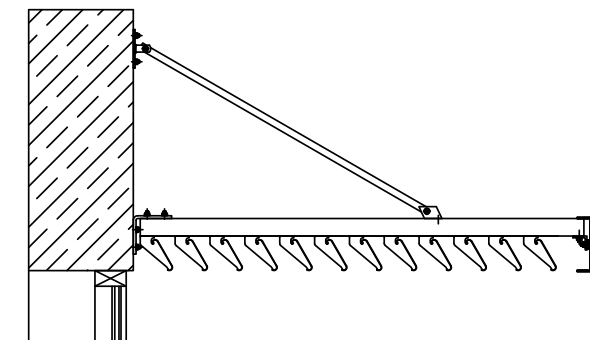
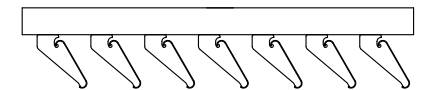
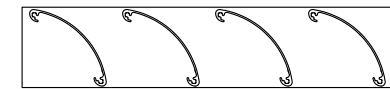
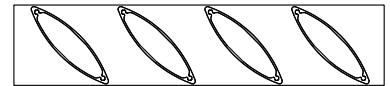
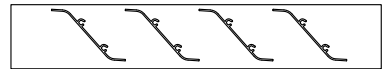
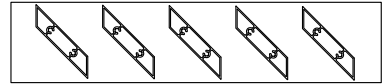
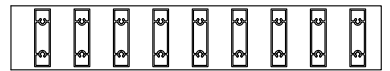
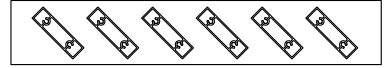
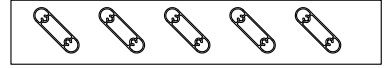


LOUVERS FOR BRISE SOLEIL

APPLICATIONS

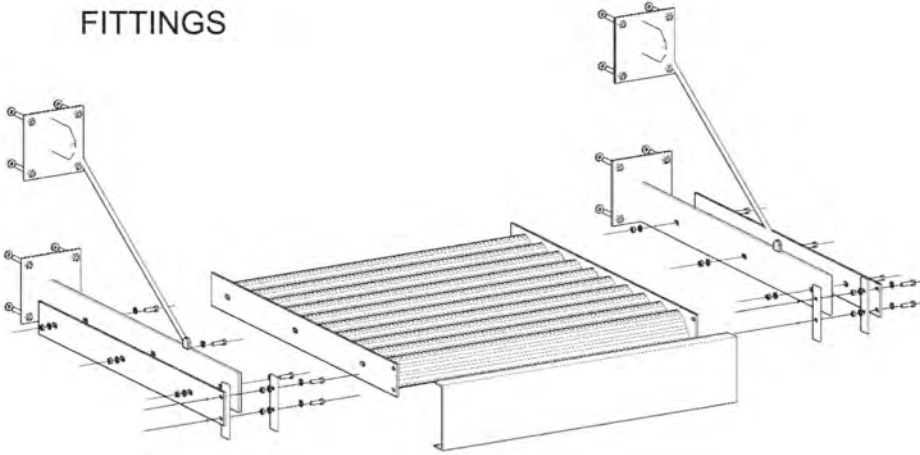


LOUVERS

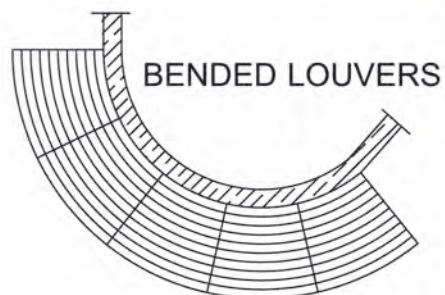
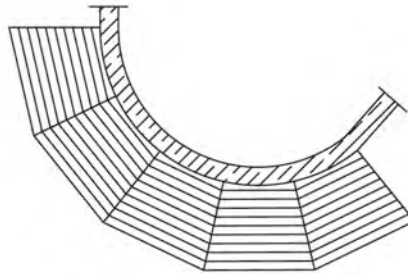
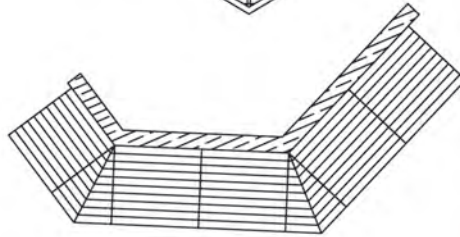
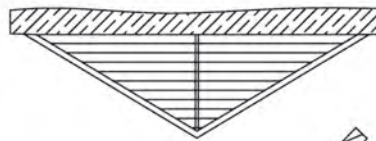
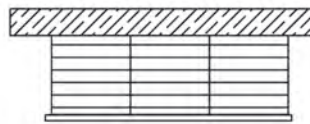
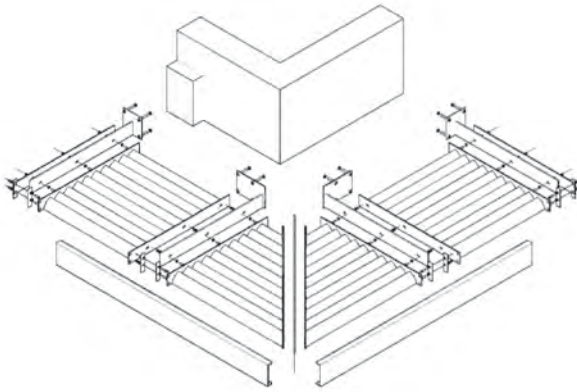


LOUVERS FOR BRISE SOLEIL

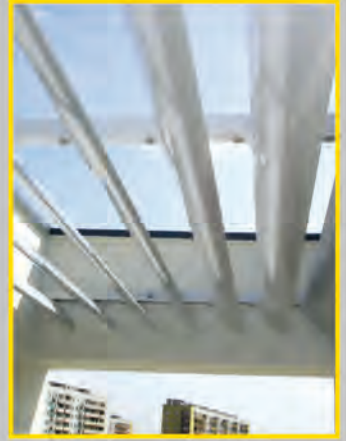
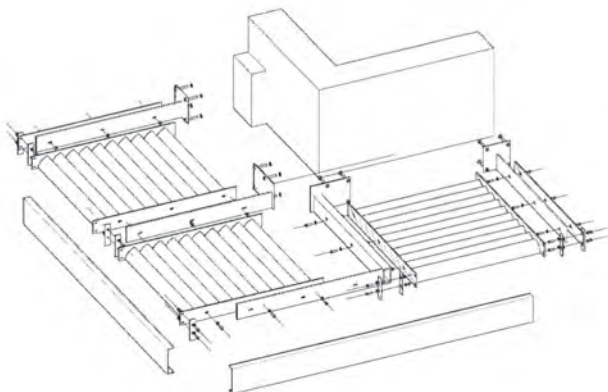
FITTINGS



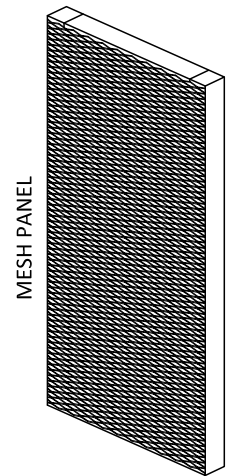
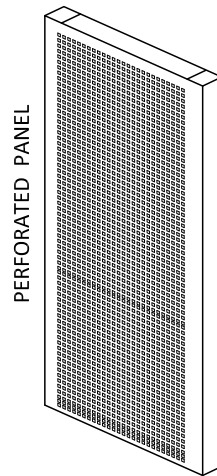
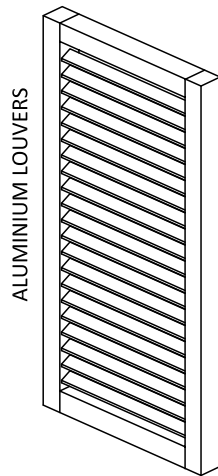
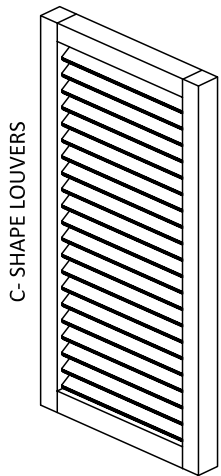
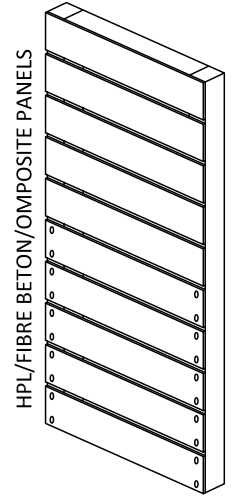
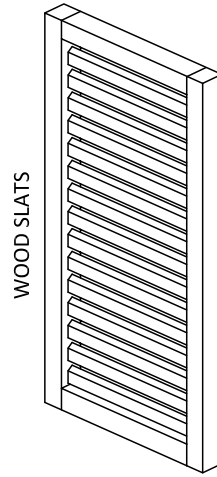
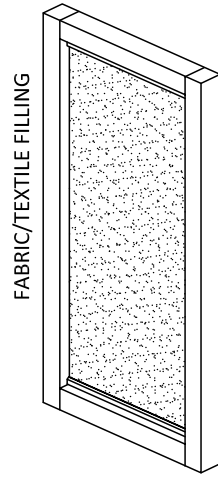
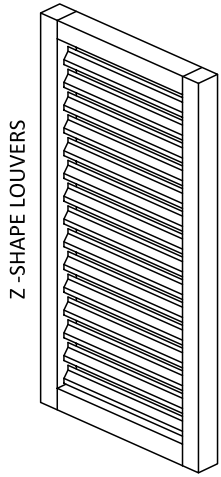
APPLICATIONS



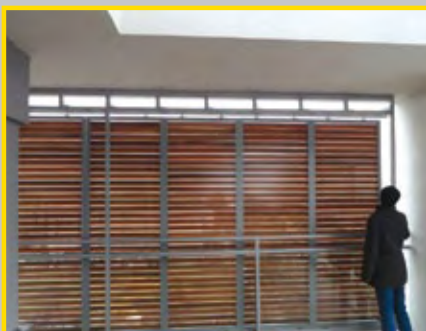
BENDED LOUVERS



WIDE RANGE OF FILLINGS

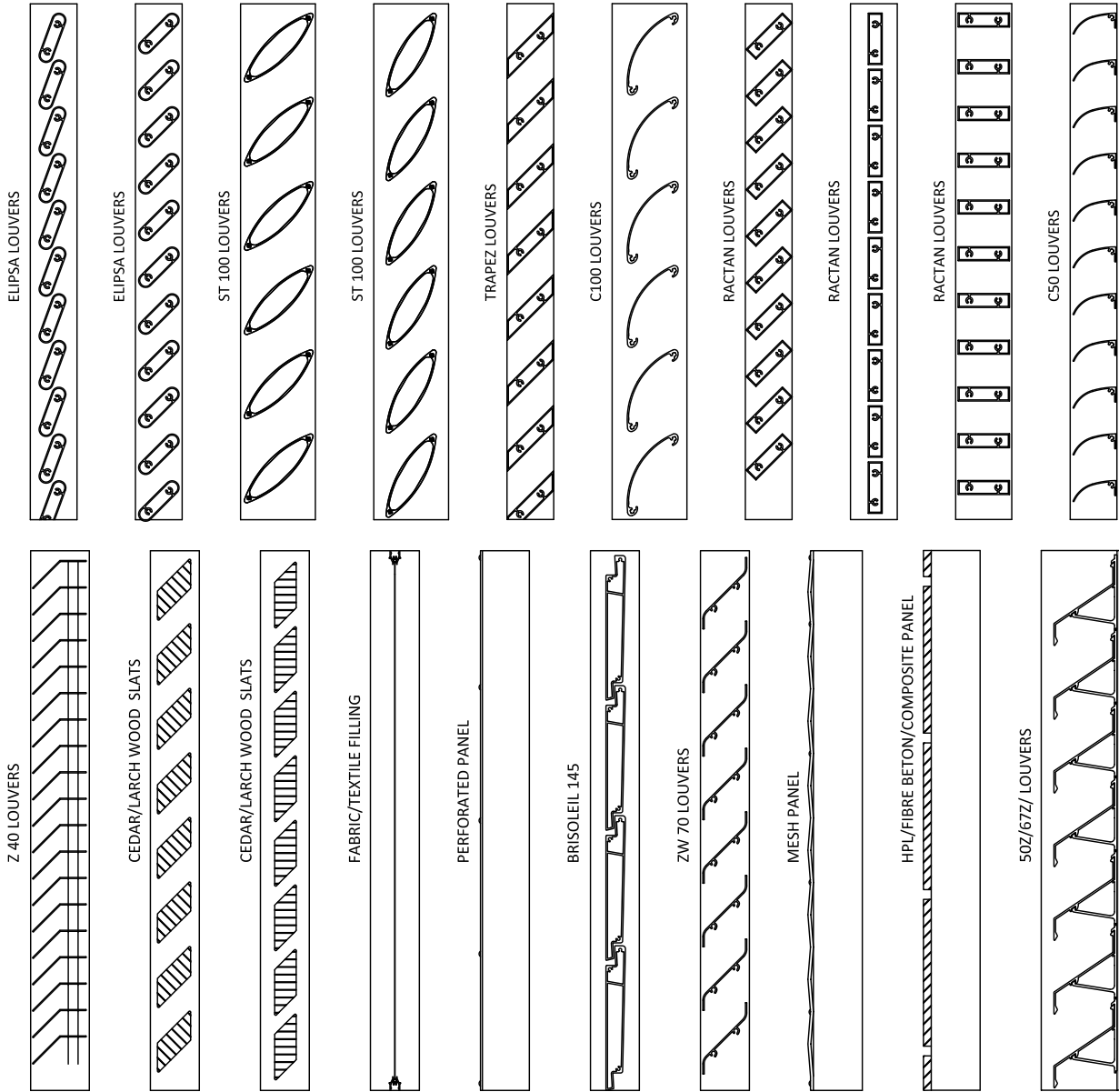


- ALL SHUTTERS MADE TO MEASURE
- MAX DIMENSIONS AND FRAME SHAPE ACCORDING TO LOCAL CONDITIONS AND CLIENT EXPECTATIONS

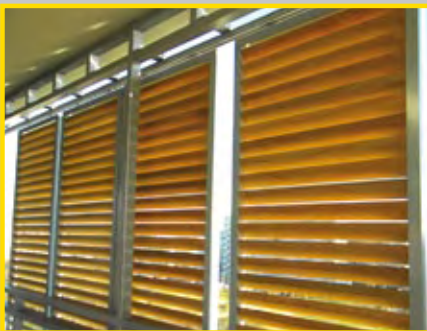
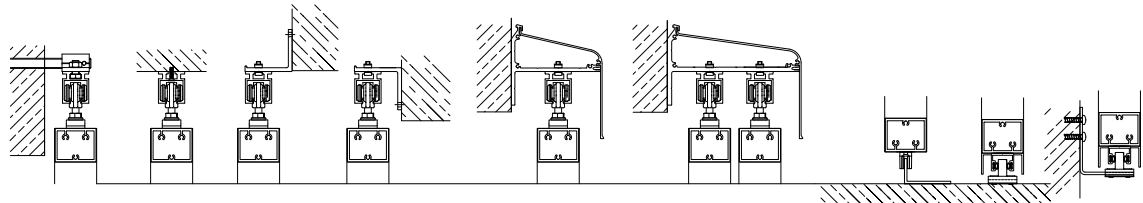


SHUTTERS

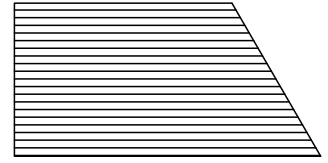
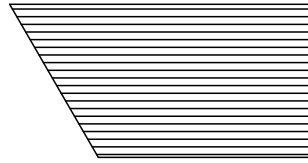
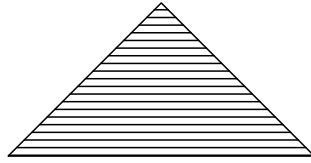
FILLINGS



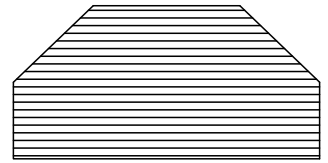
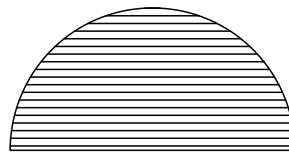
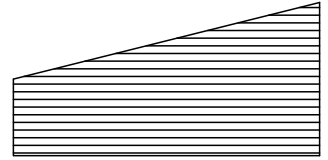
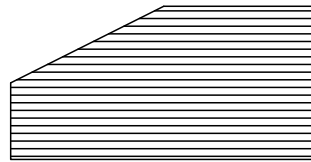
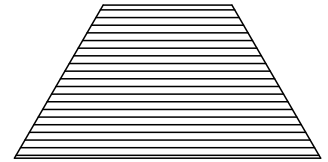
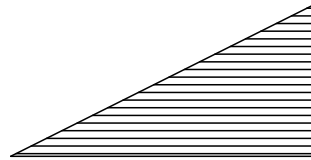
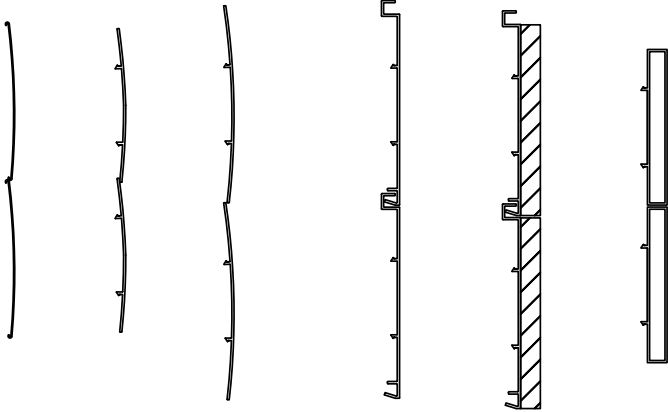
HARDWARE AND INSTALLATION



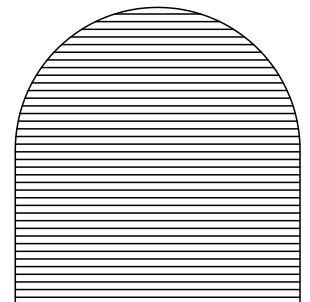
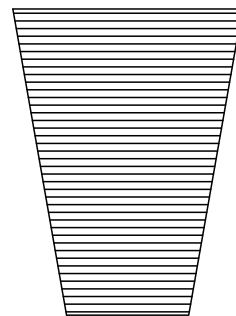
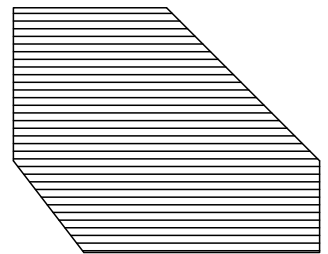
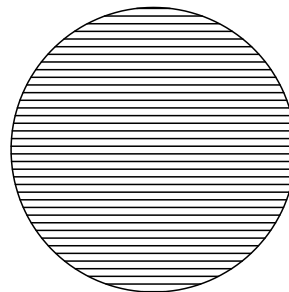
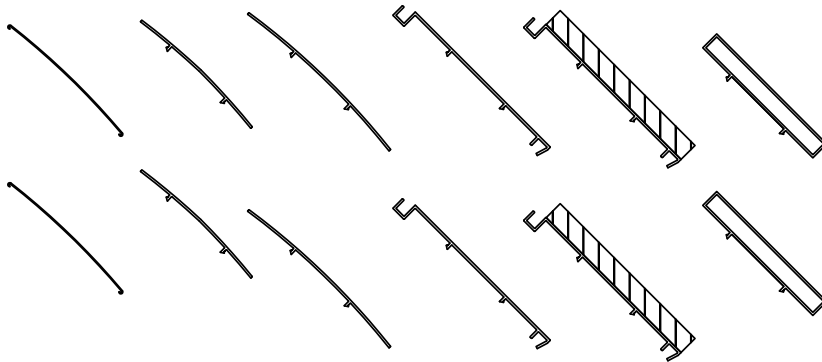
EXTERNAL/INTERNAL



SKY 80R SKY 76 SKY 100 SKY 100 V0 SKY 100C SKY 80P
BLACK OUT WOOD

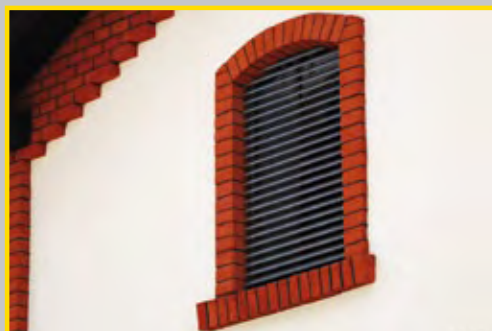
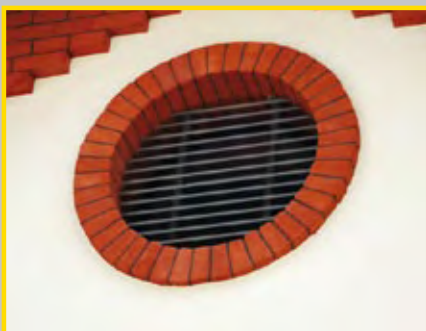


SKY 80R SKY 76 SKY 100 SKY 100 V0 SKY 100C SKY 80P
BLACK OUT WOOD



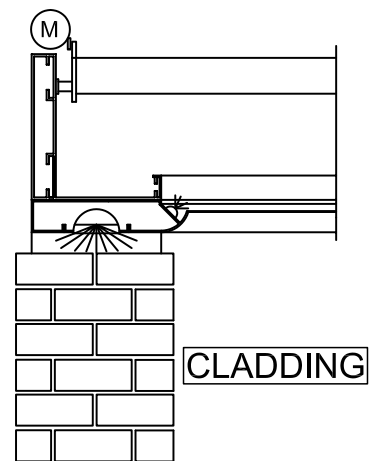
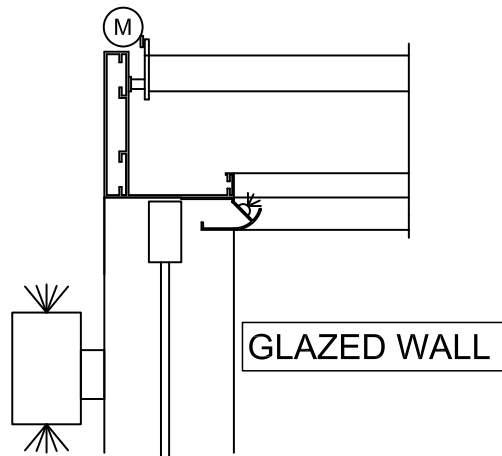
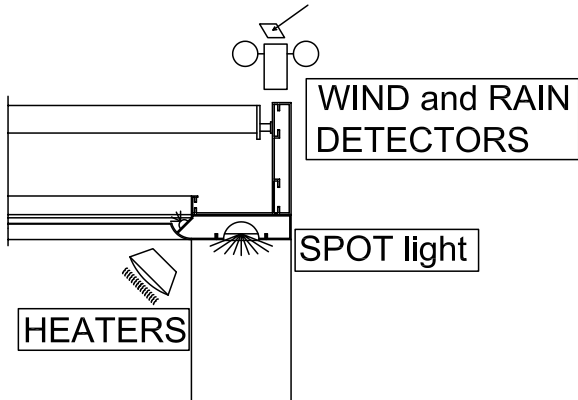
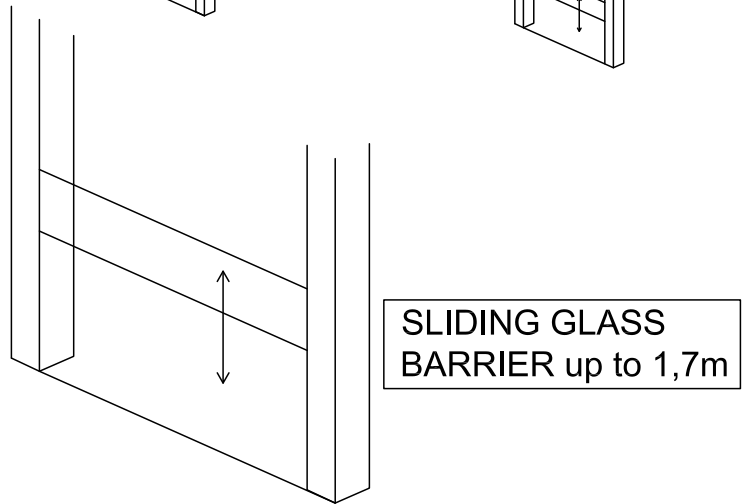
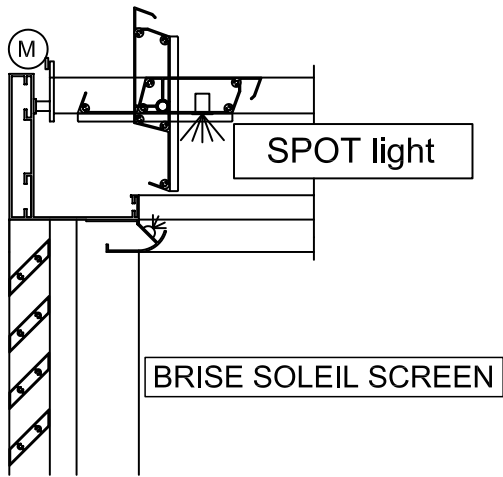
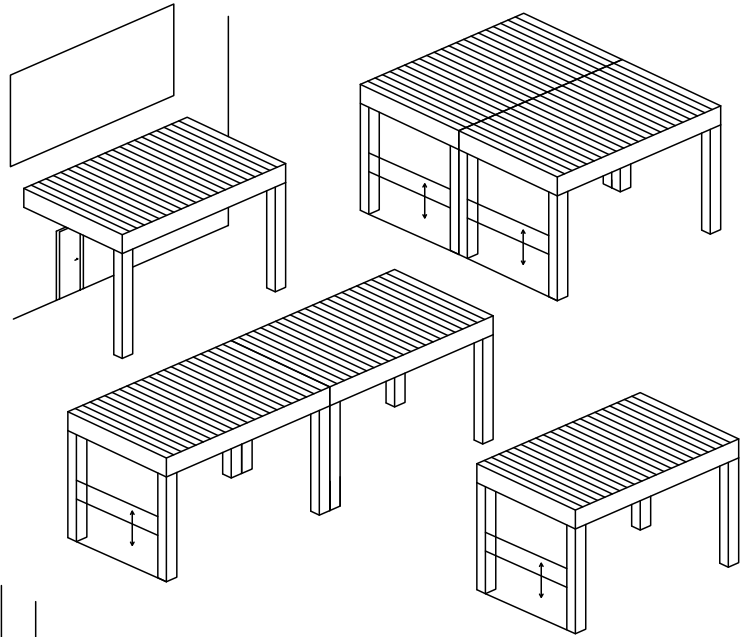
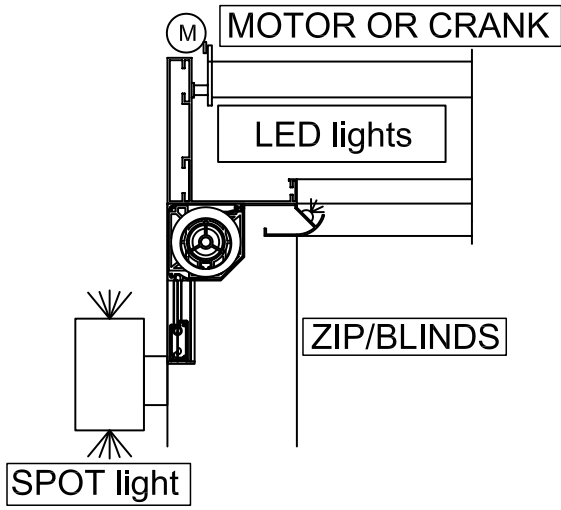
POSITION CONTROL:

- CORDAN+CRANK
- 24V/230 V MOTOR



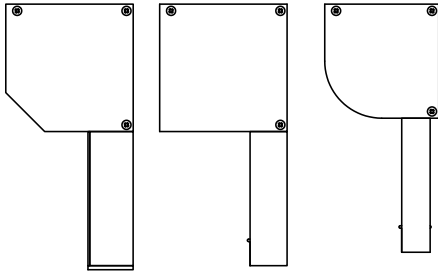
PERGOLA

ACCESSORIES:

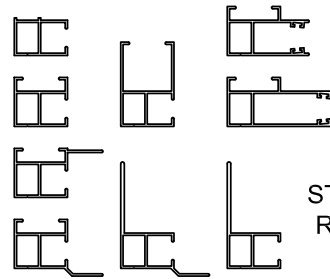


TEXTILE ROLLER BLINDS and ZIP BLINDS

EXTRUDED BOXES



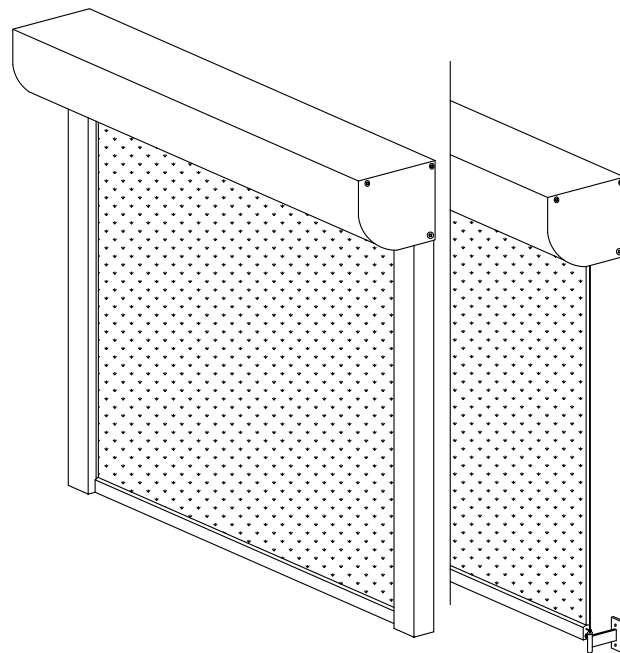
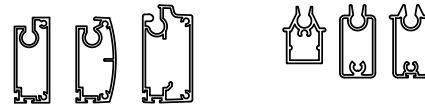
ZIP RAILS REGULAR and BLACKOUT



STAINLESS STEEL ROPE 

- BLINDS MADE TO MEASURE
- REGULAR and UNUSUAL BRACKETS
- POSITION CONTROL:
CARDAN+CRANK
24V/230V MOTOR

BOTTOM BAR



ONLY THE BEST FABRIC/TEXTILE:
MERMET, COPACO, FERRARI

