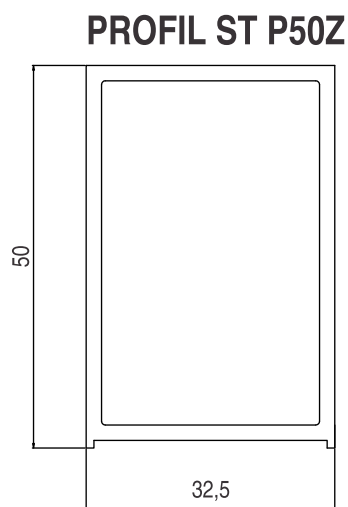
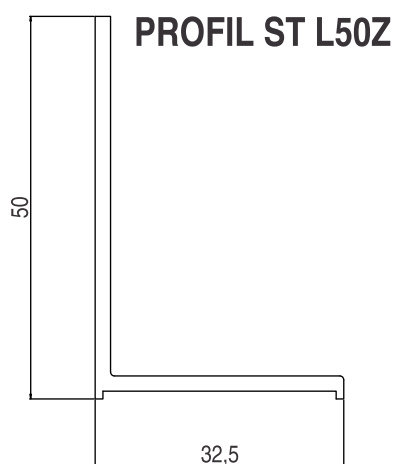
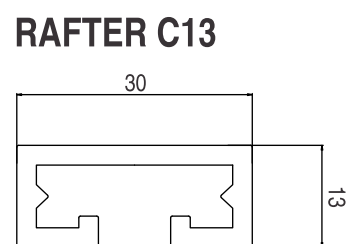
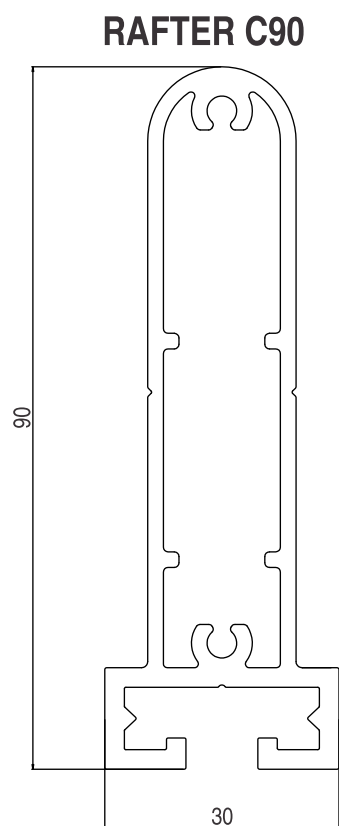


## SUPPORTING STRUCTURES

### FOR PROFILES TYPE Z



### FOR PROFILES TYPE C



### PRODUCT DATA SHEET FOR ST P50Z; ST L50Z PROFILE and PROFILE TYPE C

Product pressed from aluminium alloy: grade 6060 or 6063, condition T66 or T6

In accordance with PN-EN 755-9 and PN-EN 573 part 1-4

Tolerance U.N.E. PN-EN 12020 - 2:2010

Surface quality: powder coating to all RAL colours;  
 natural anodising 15-20 um;  
 raw aluminium

PRICE DEPENDS ON THE VOLUME OF ORDER

OFFER VALID FROM JUNE 2012. PREVIOUS OFFERS EXPIRE WITHIN THIS ONE. We reserve the right to change the scope of the offer

**SOLAR-TECH Sp. z o.o.**

ul. Biskupińska 23, 30-732 Kraków, Poland, tel. (+48 12) 290 04 06, 290 04 07, tel./fax. (+48 12) 653 22 68

TAX ID.NO. 675-12-16-850

Company Registry Number: 357036790

National Court Register: 0000147408