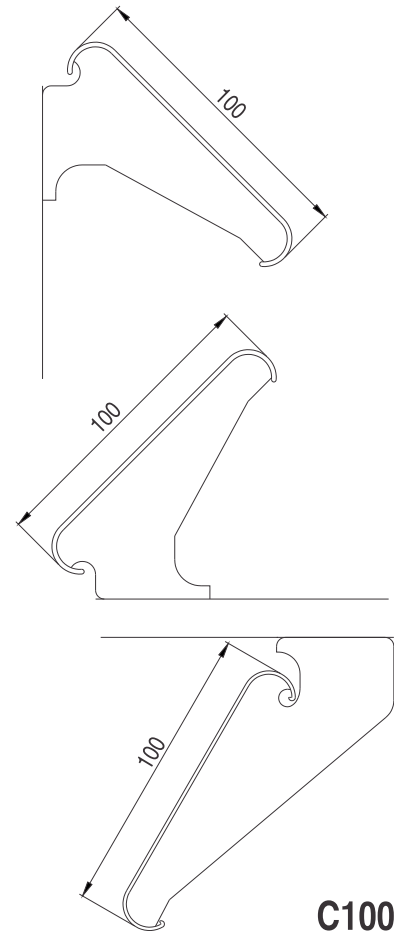
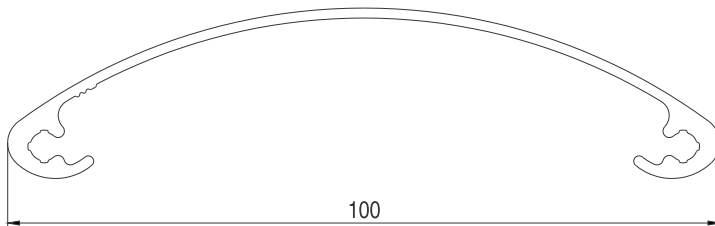


SUNBREAKERS TYPE C

ST 100C



PRODUCT DATA SHEET FOR TYPE C PROFILES

Product pressed from aluminium alloy: grade 6060 or 6063, condition T66 or T6

In accordance with PN-EN 755-9 and PN-EN 573 part 1-4

Tolerance U.N.E. PN-EN 12020

Surface quality: powder coating to all RAL colours
 natural anodising 15-20 um
 raw aluminium

Standard span between supports for: ST 100C - 1.8 m; C100 - 1.6 m

Standard length of profiles: 6.0 m;

Other dimensions on request:

- special pressing from 4 m to 7.0 m

PRICE DEPENDS ON THE VOLUME OF ORDER

OFFER VALID FROM JUNE 2012. PREVIOUS OFFERS EXPIRE WITHIN THIS ONE. We reserve the right to change the scope of the offer

SOLAR-TECH Sp. z o.o.

ul. Biskupińska 23, 30-732 Kraków, Poland, tel. (+48 12) 290 04 06, 290 04 07, tel./fax. (+48 12) 653 22 68

TAX ID.NO. 675-12-16-850

Company Registry Number: 357036790

National Court Register: 0000147408