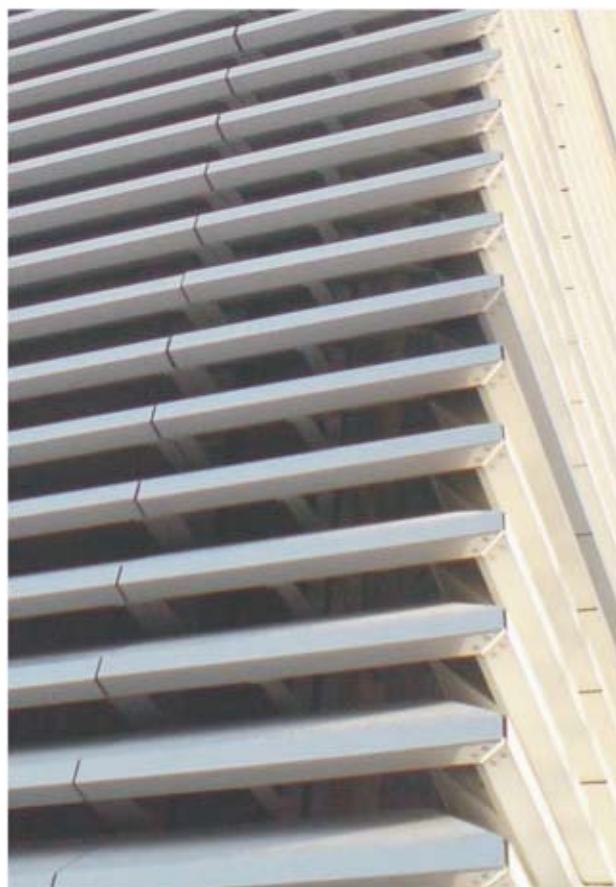
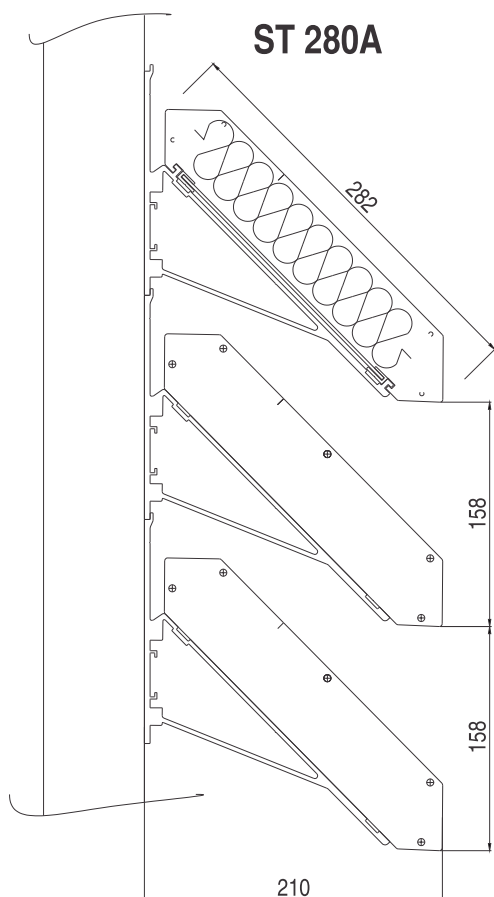
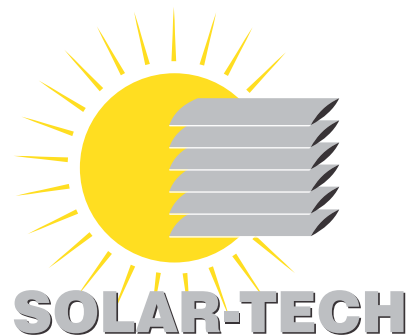


ACOUSTIC SCREEN SOUND REDUCTION + VENTILATION



Rw = 13 dB

PRODUCT DATA SHEET FOR ST 280A PROFILES

Maximum span between supports: 2 m

Maximum width of the acoustic panel ST 280A - 2 m

Width of the brackets: 30 mm

Each panel is mounted at the two ends,
easily demountable with the plumbs

Aluminium panels

Surface quality:

- powder coating to all RAL colours
and bicolor according to individual project;

PRICE DEPENDS ON THE VOLUME OF ORDER

RESEARCH OF INSTITUTE OF BUILDING TECHNOLOGY ACCORDING TO EN



PROGRAM REGIONALNY
NARODOWA STRATEGIA SPÓJNOŚCI



UNIA EUROPEJSKA
EUROPEJSKI FUNDUSZ
ROZWOJU REGIONALNEGO

OFFER VALID FROM JUNE 2012. PREVIOUS OFFERS EXPIRE WITHIN THIS ONE. We reserve the right to change the scope of the offer

SOLAR-TECH Sp. z o.o.

ul. Biskupińska 23, 30-732 Kraków, Poland, tel. (+48 12) 290 04 06, 290 04 07, tel./fax. (+48 12) 653 22 68

TAX ID.NO. 675-12-16-850

Company Registry Number: 357036790

National Court Register: 0000147408