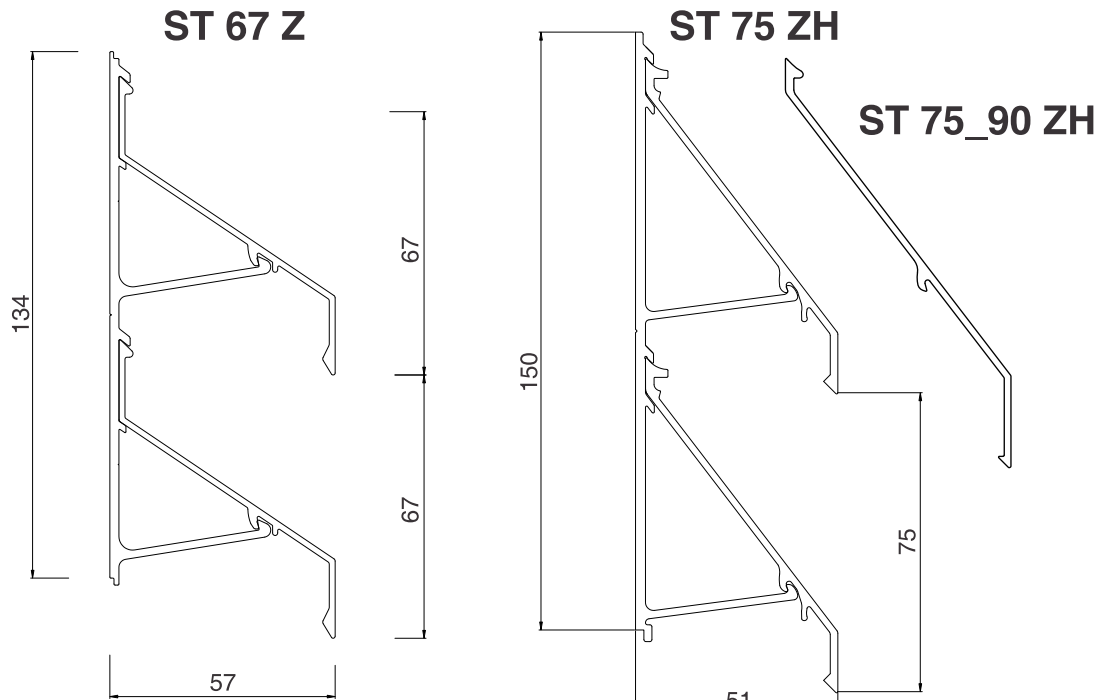


PROFILE ST 67 Z, ST 75 ZH AND ST 75_90 ZH



**ST 67Z PROFILE
GRIP ST 67ZG**

AIR FLOW 56%

**ST 75ZH PROFILE
GRIP ST 75ZHG**

AIR FLOW 47%

PRODUCT DATA SHEET FOR TYPE Z PROFILES

Product pressed from aluminium alloy: grade 6060 or 6063, condition T66 or T6

In accordance with PN-EN 755-9 and PN-EN 573 part 1-4

Tolerance U.N.E. PN-EN 12020

Surface quality: powder coating to all RAL colours;
natural anodising 15-20 um;
raw aluminium

Width of the grips: standard 30 mm and double 60mm
other dimensions according to order

Maximum span between supports: for ST 67Z – 1,4 m, ST 75ZH and 75_90 ZH - 1.4 m

Standard length of profiles: 6.0 m

Other dimensions on request:

-special pressing from 4.0 m to 7.0 m

PRICE DEPENDS ON THE VOLUME OF ORDER

OFFER VALID FROM JUNE 2012. PREVIOUS OFFERS EXPIRE WITHIN THIS ONE. We reserve the right to change the scope of the offer

SOLAR-TECH Sp. z o.o.

ul. Biskupińska 23, 30-732 Kraków, Poland, tel. (+48 12) 290 04 06, 290 04 07, tel./fax. (+48 12) 653 22 68

TAX ID.NO. 675-12-16-850

Company Registry Number: 357036790

National Court Register: 0000147408