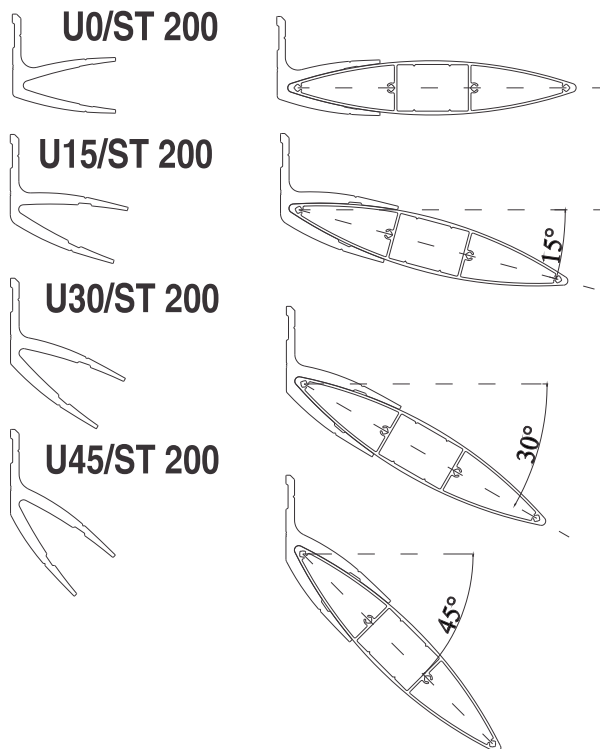
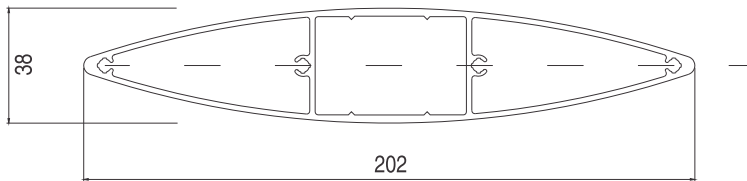


## BRACKETS FOR ST200 PROFILES FIXED ANGLE BRACKETS



### PRODUCT DATA SHEET FOR SOLID BRACKETS FOR ST 200 PROFILES

Product pressed from aluminium alloy: grade 6060 or 6063, condition T66 or T6

In accordance with PN-EN 755-9 and PN-EN 573 part 1-4

Tolerance U.N.E. PN-EN 12020 - 2:2010

Surface quality: powder coating to all RAL colours

natural anodising 15-20 µm

raw aluminium

Width of the brackets: standard 50 mm

other dimensions according to order

maximum span between supports: for ST200 profile - 3.0 m

Note: The spans are approximate. When using profiles on high-rise buildings and buildings designed on open space, characterised by strong draughts, each profile should be counted and adapted to external conditions.

PRICE DEPENDS ON THE VOLUME OF ORDER

OFFER VALID FROM JUNE 2012. PREVIOUS OFFERS EXPIRE WITHIN THIS ONE. We reserve the right to change the scope of the offer

### SOLAR-TECH Sp. z o.o.

ul. Biskupińska 23, 30-732 Kraków, Poland, tel. (+48 12) 290 04 06, 290 04 07, tel./fax. (+48 12) 653 22 68

TAX ID.NO. 675-12-16-850

Company Registry Number: 357036790

National Court Register: 0000147408