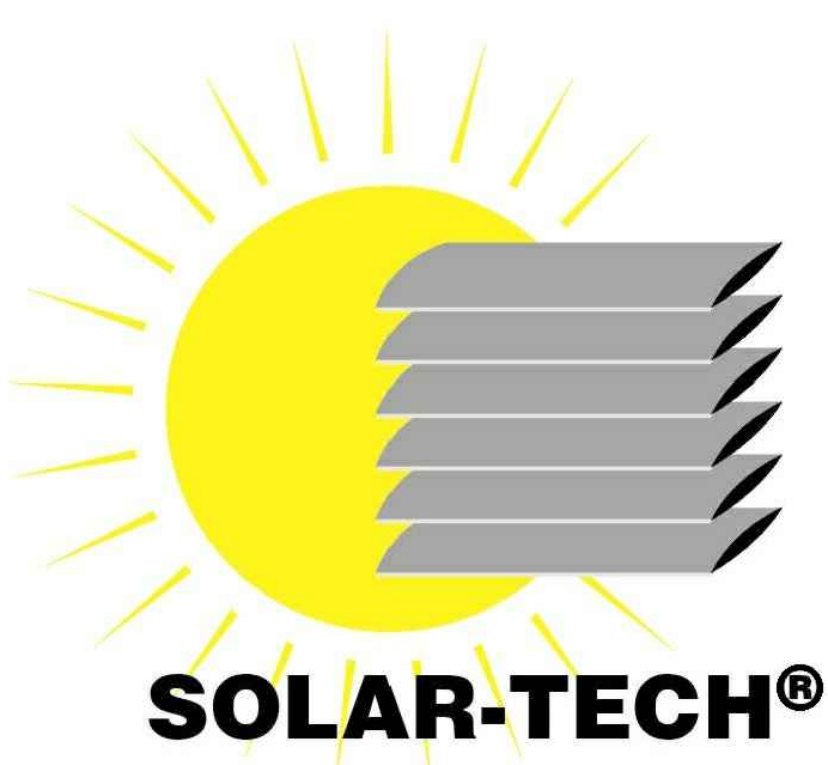
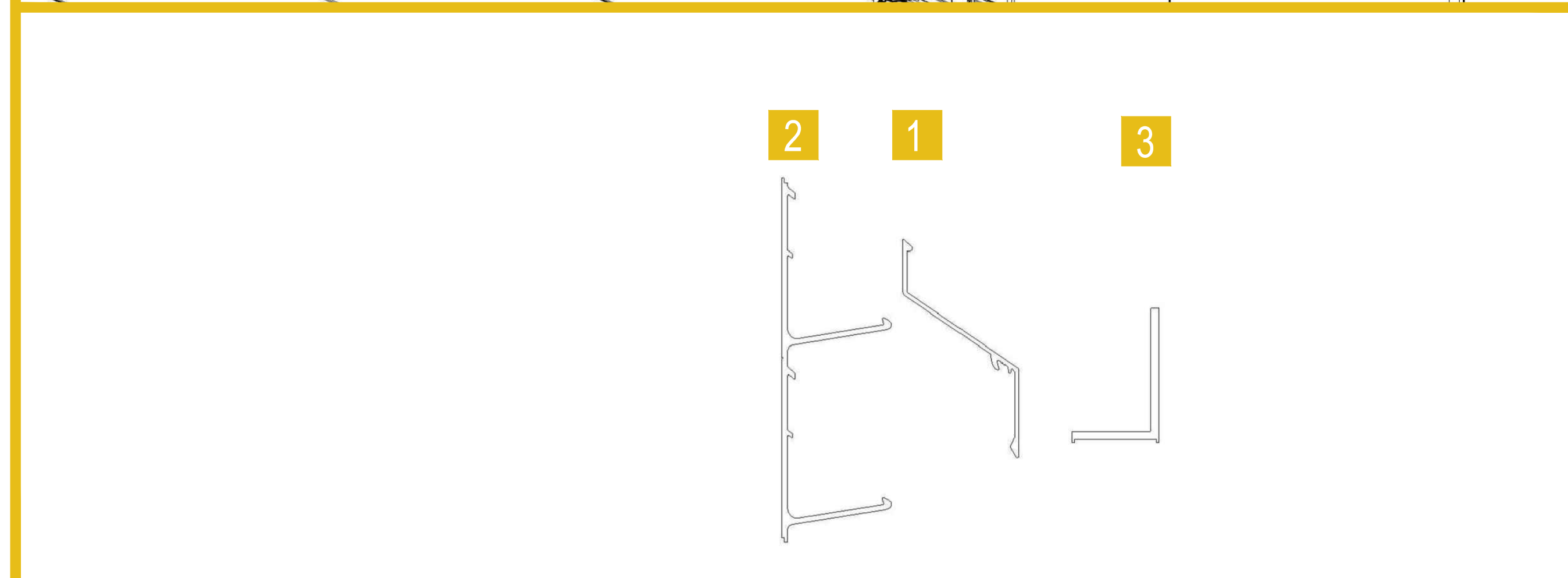
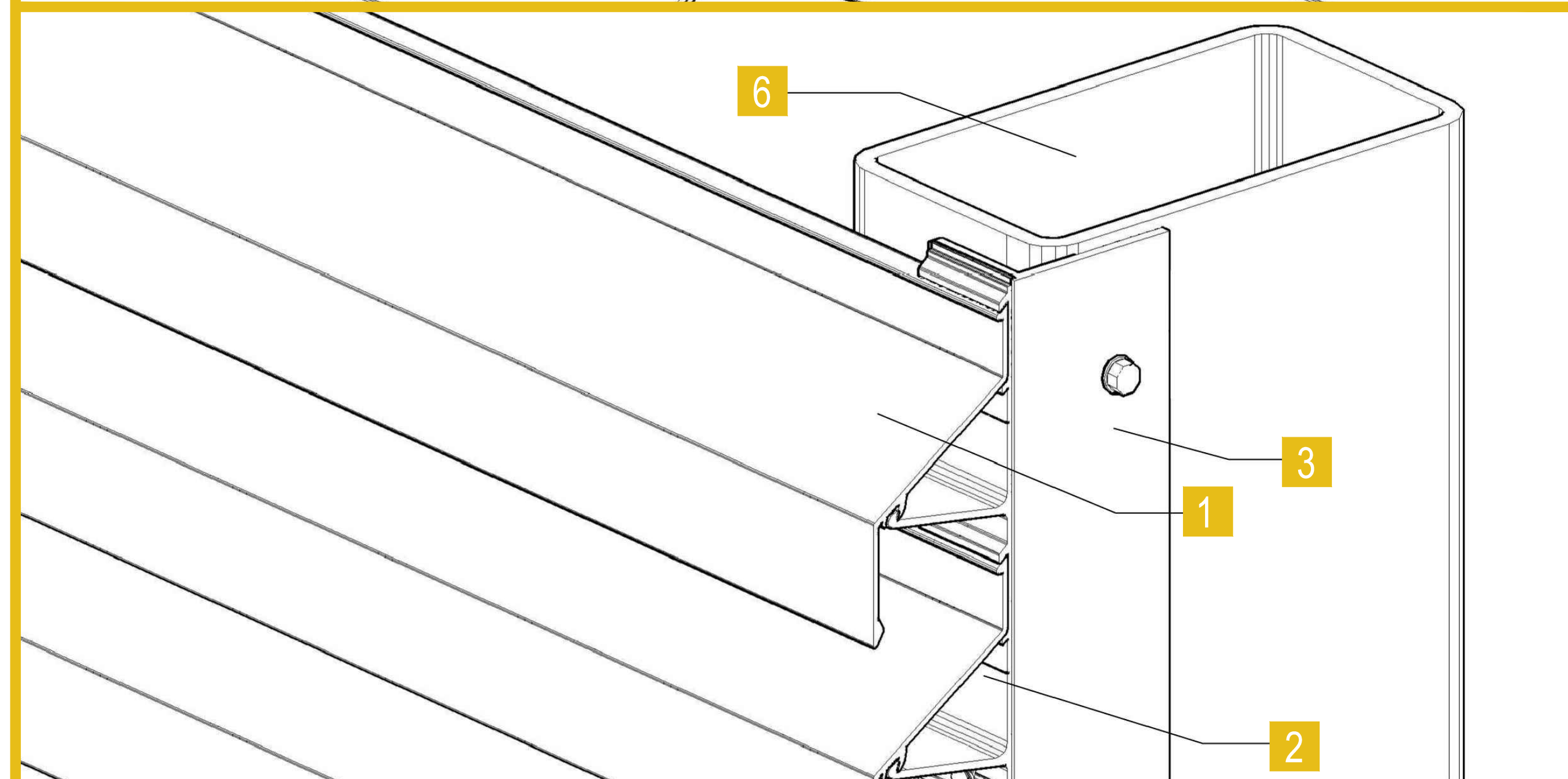
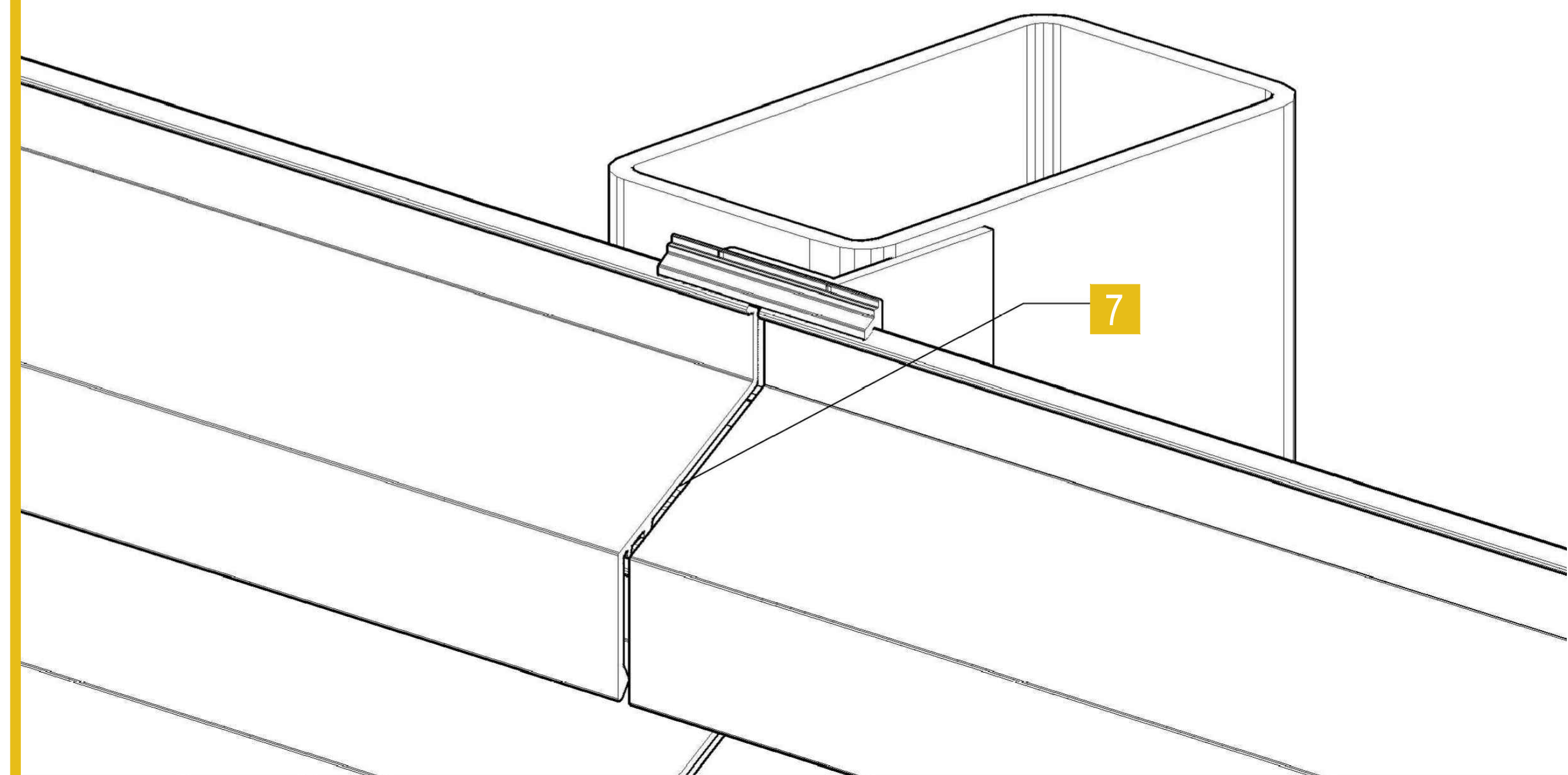
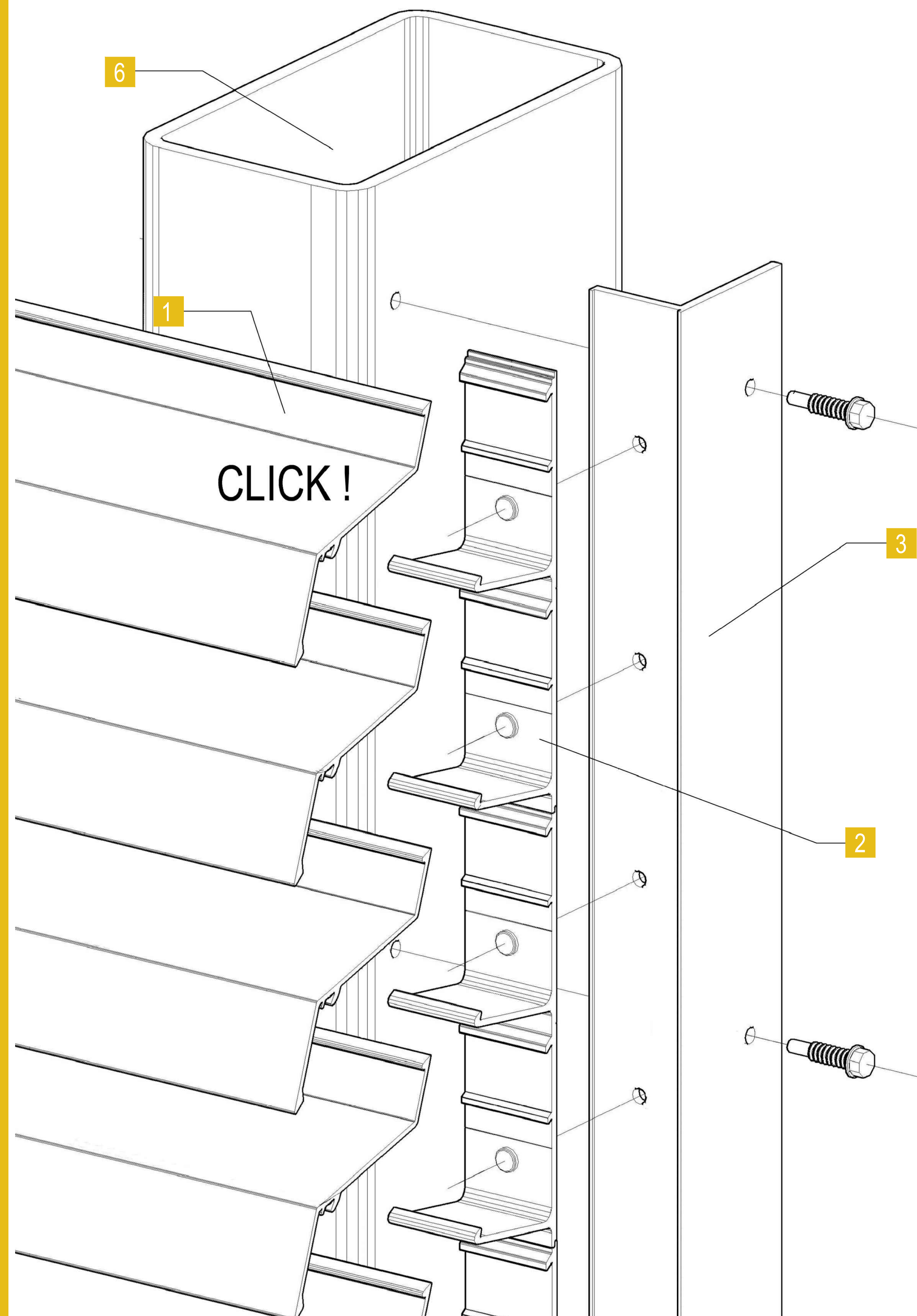
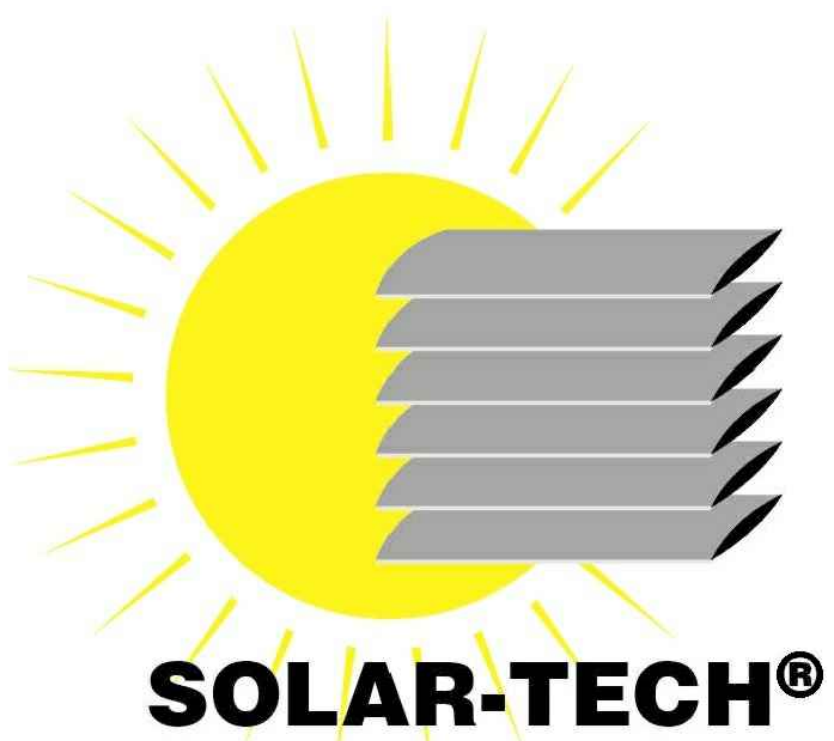
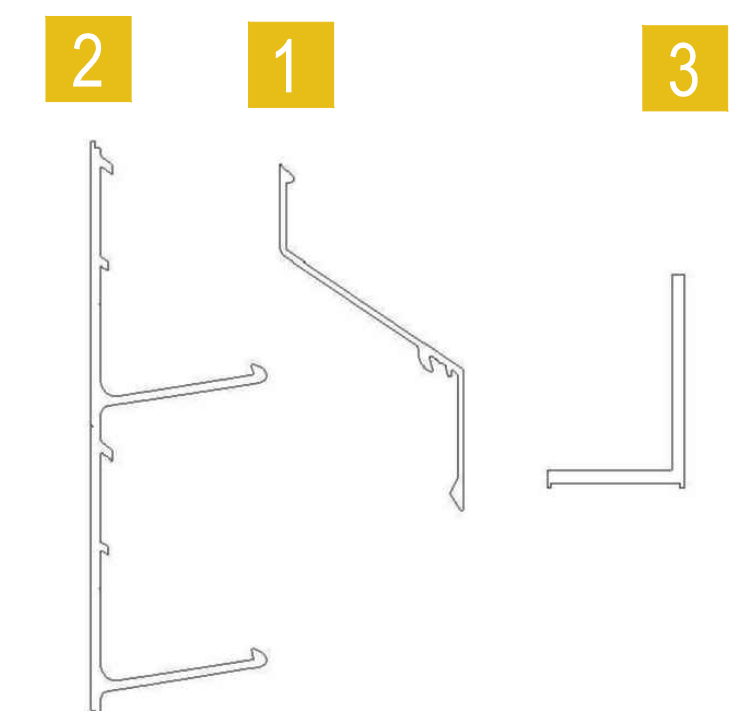
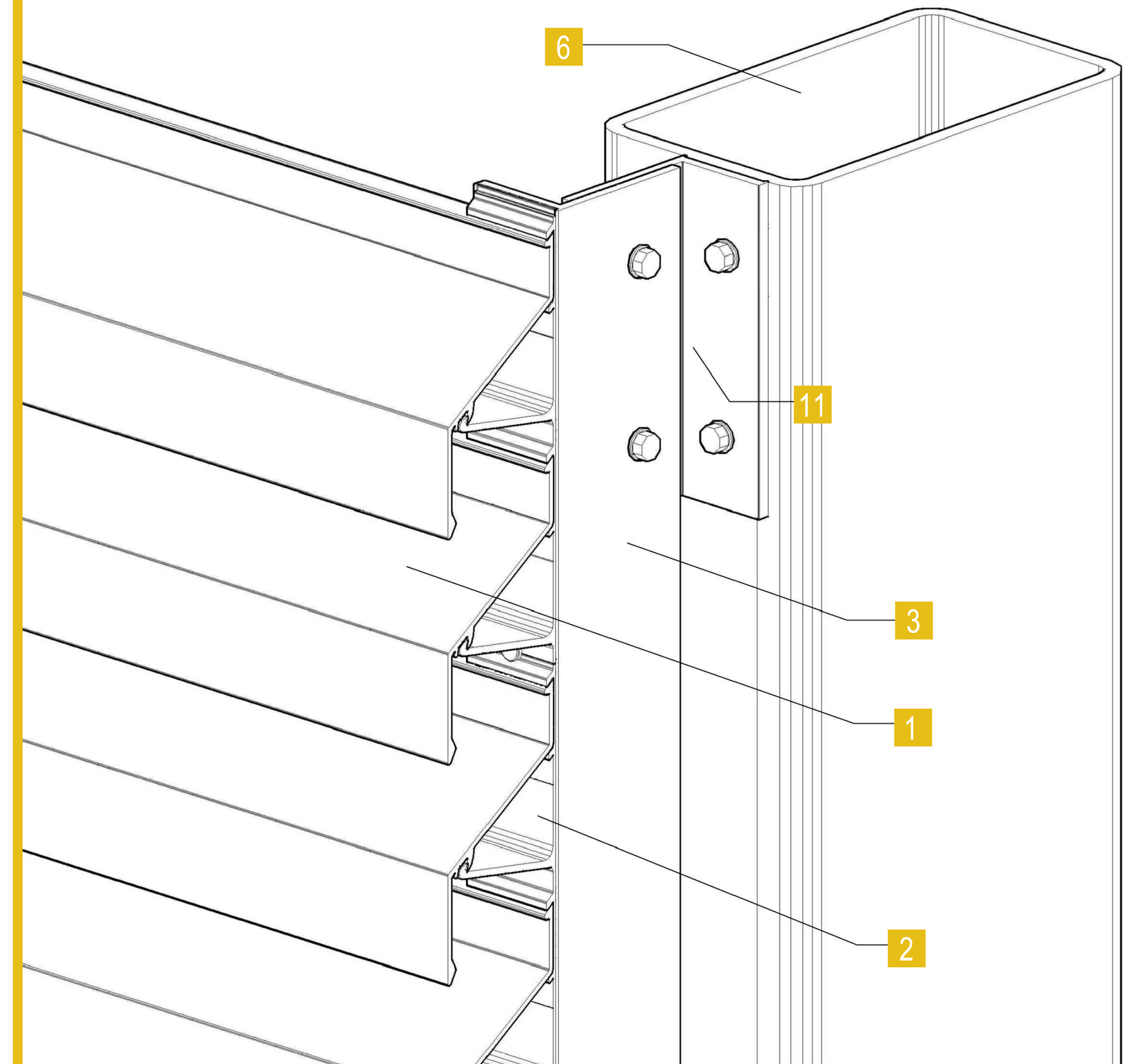
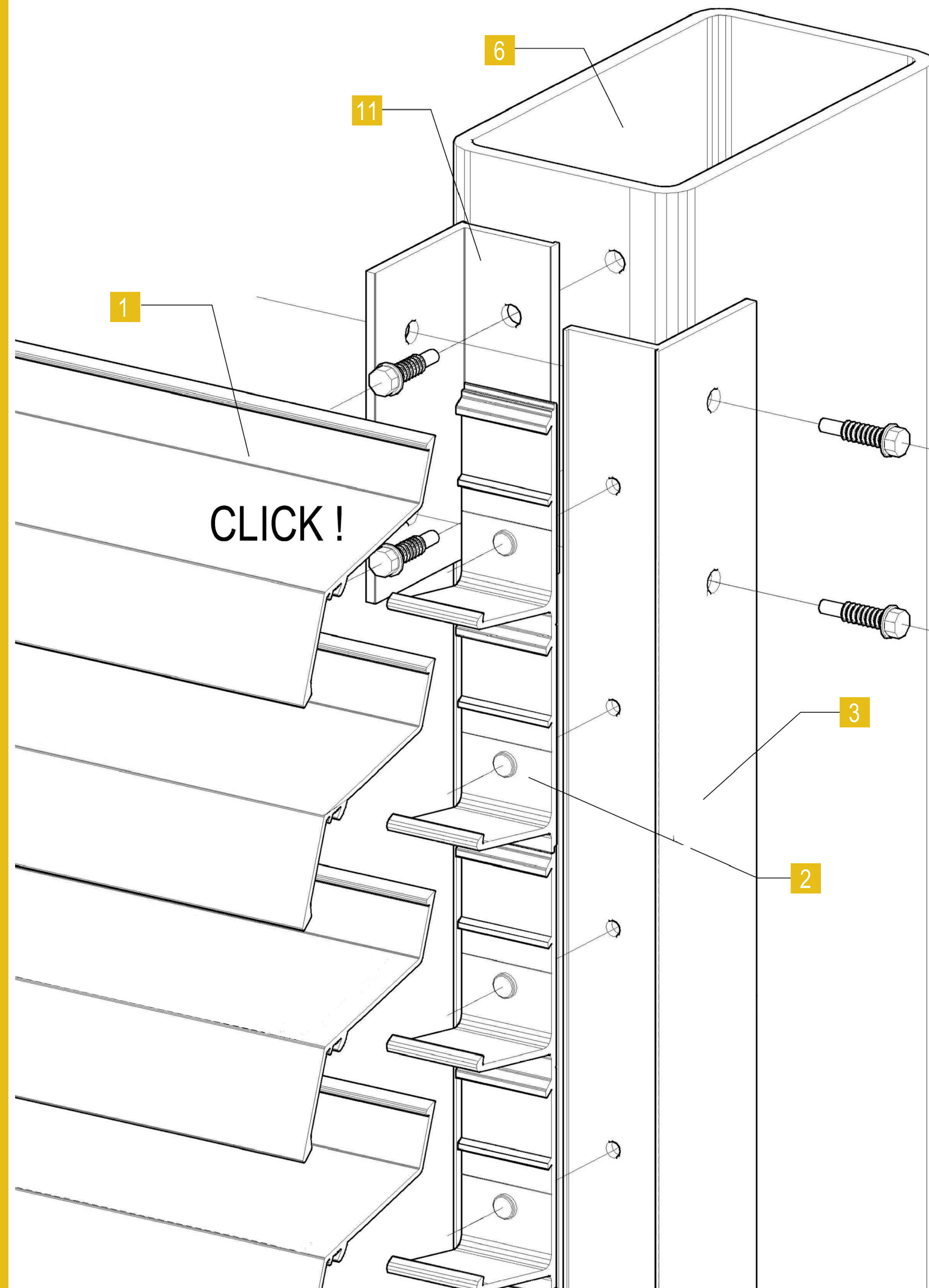


- 1 Aluminum profile Solar - Tech ST 67ZL
- 2 Aluminum profile Solar - Tech ST 67ZG (GRIP)
- 3 Aluminum profile Solar - Tech ST L50Z
- 4 Load bearing bracket
- 5 Bracket for sliding connections
- 6 Steel post/pole
- 7 Dilatation 1 - 1,5 mm/m
- 8 Spacer
- 9 Welded bracket
- 10 Weld
- 11 Aluminum bracket



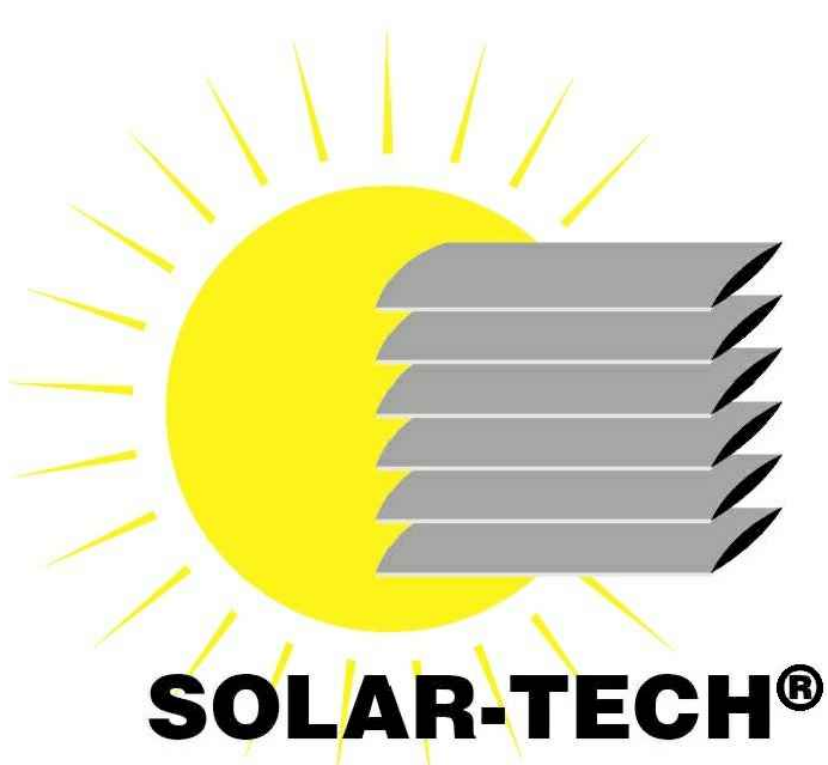
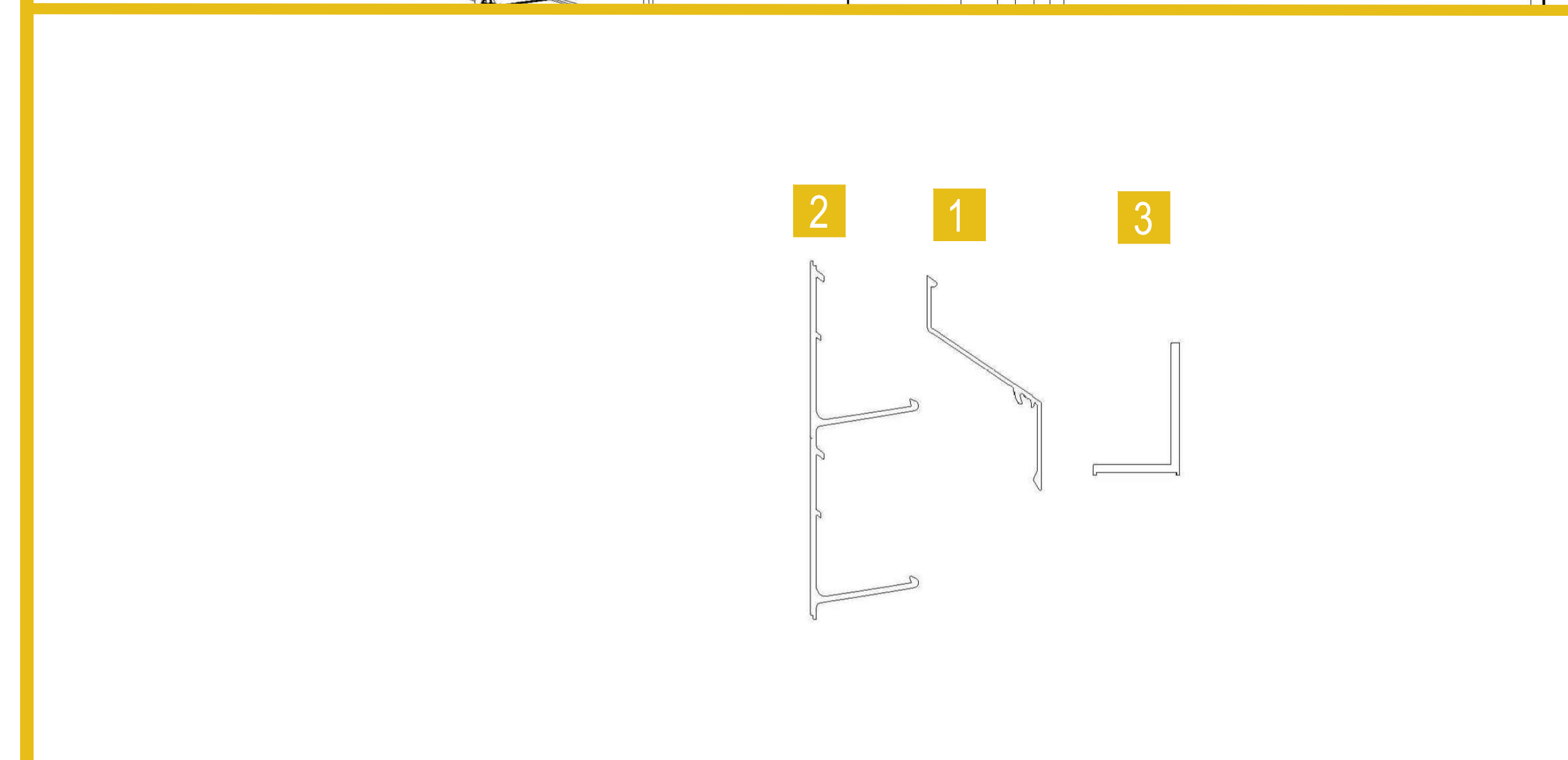
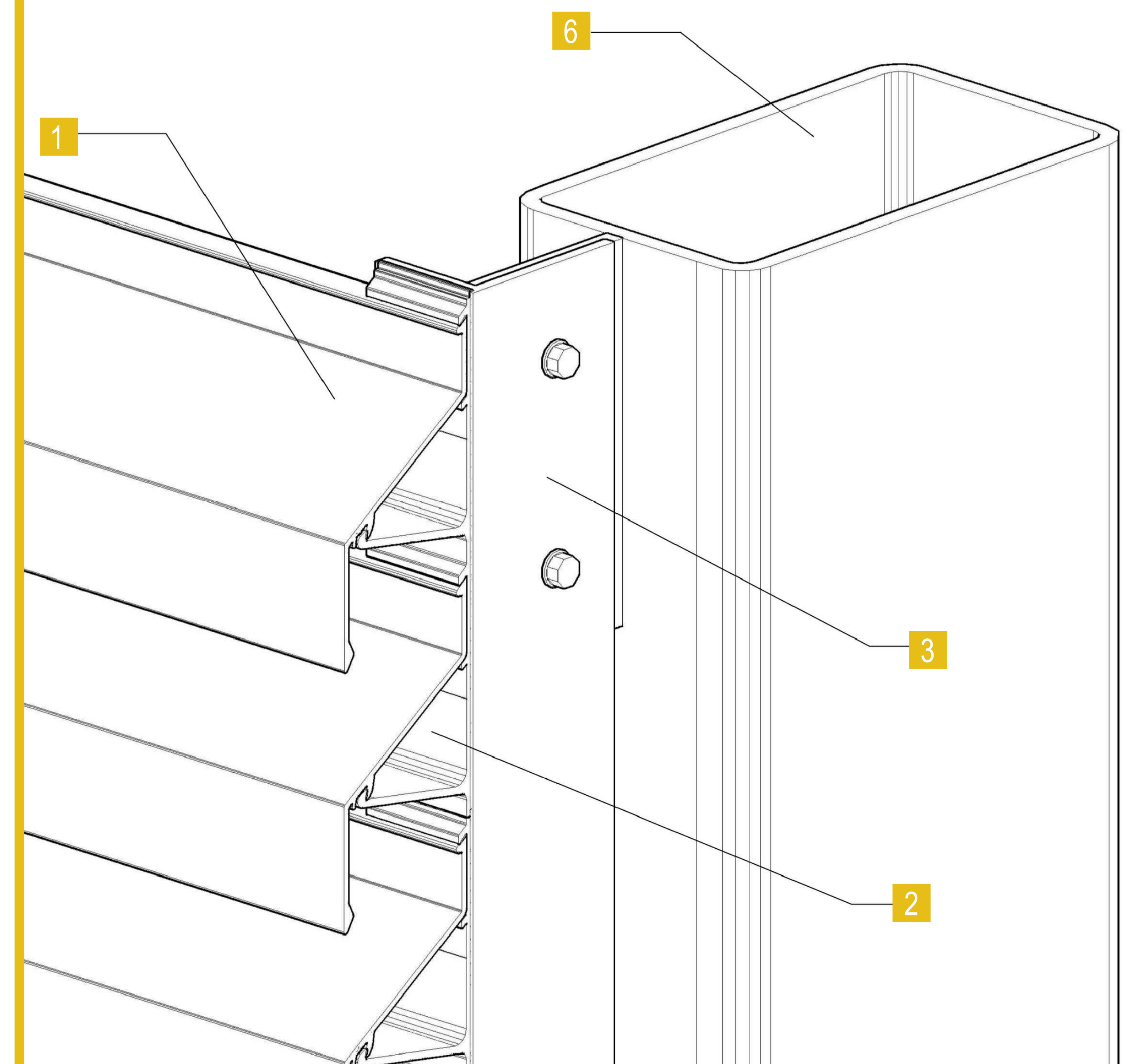
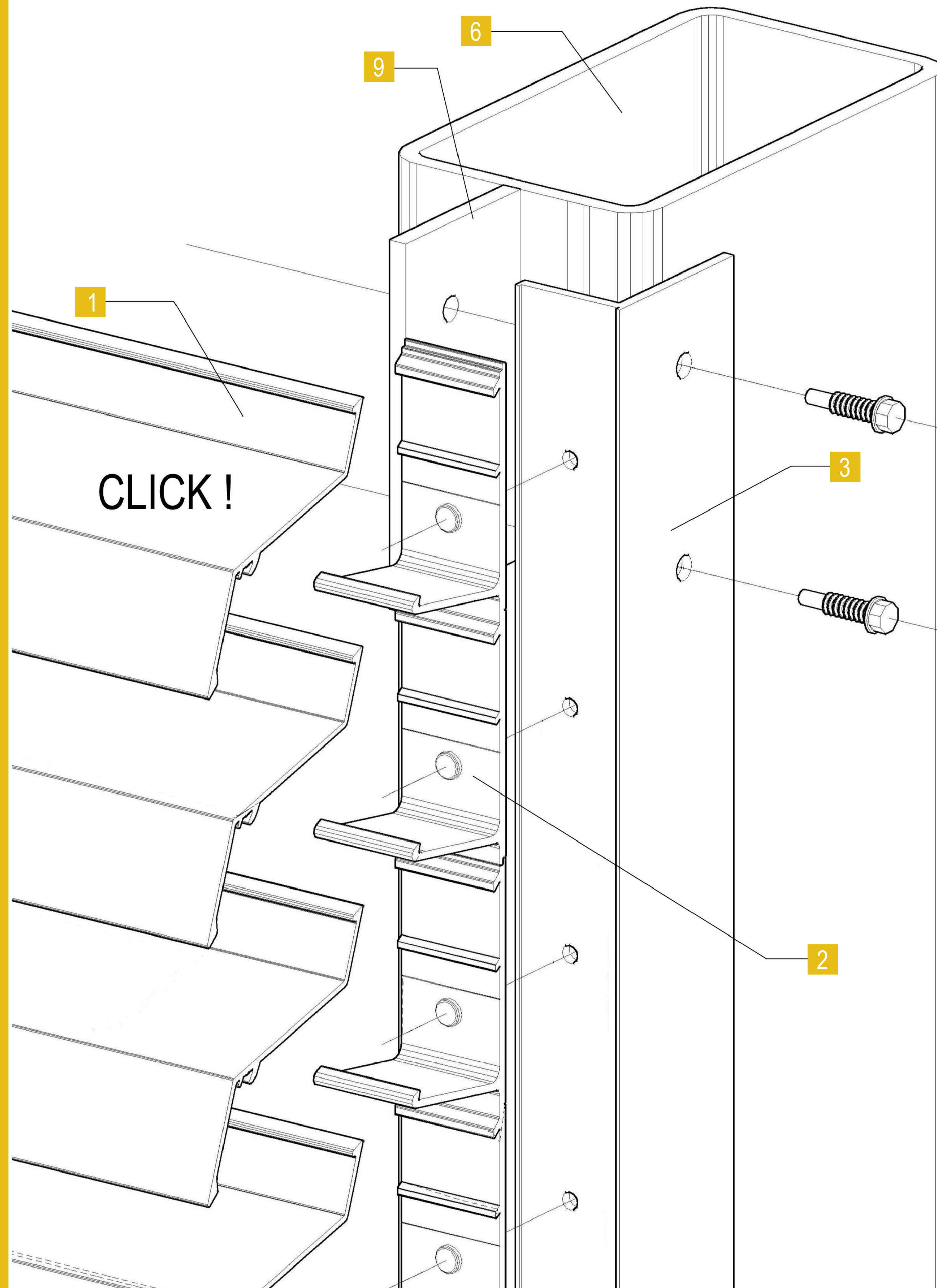


- 1 Aluminum profile Solar - Tech ST 67ZL
- 2 Aluminum profile Solar - Tech ST 67ZG (GRIP)
- 3 Aluminum profile Solar - Tech ST L50Z
- 4 Load bearing bracket
- 5 Bracket for sliding connections
- 6 Steel post/pole
- 7 Dilatation 1 - 1,5 mm/m
- 8 Spacer
- 9 Welded bracket
- 10 Weld
- 11 Aluminum bracket



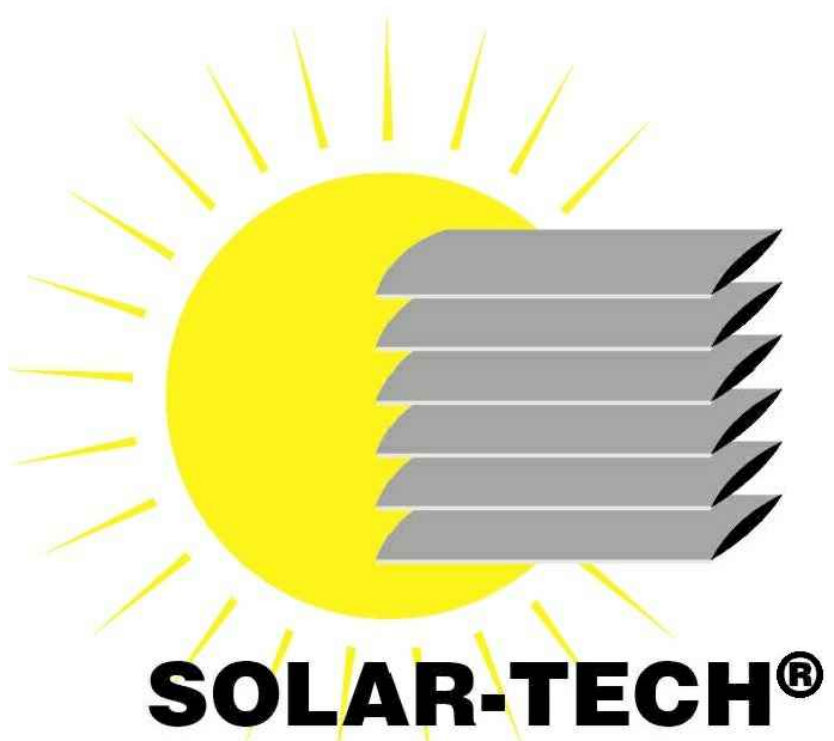
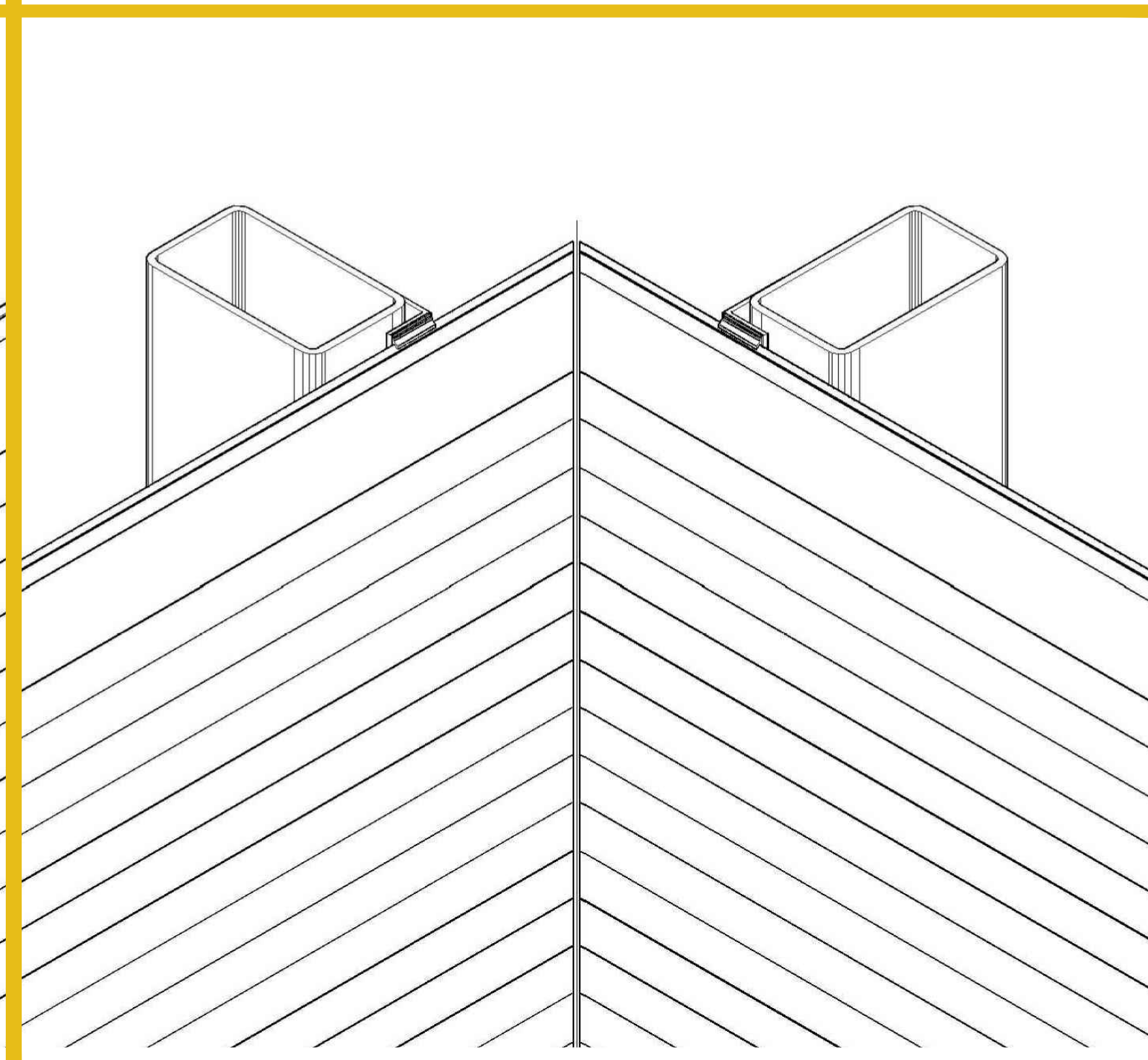
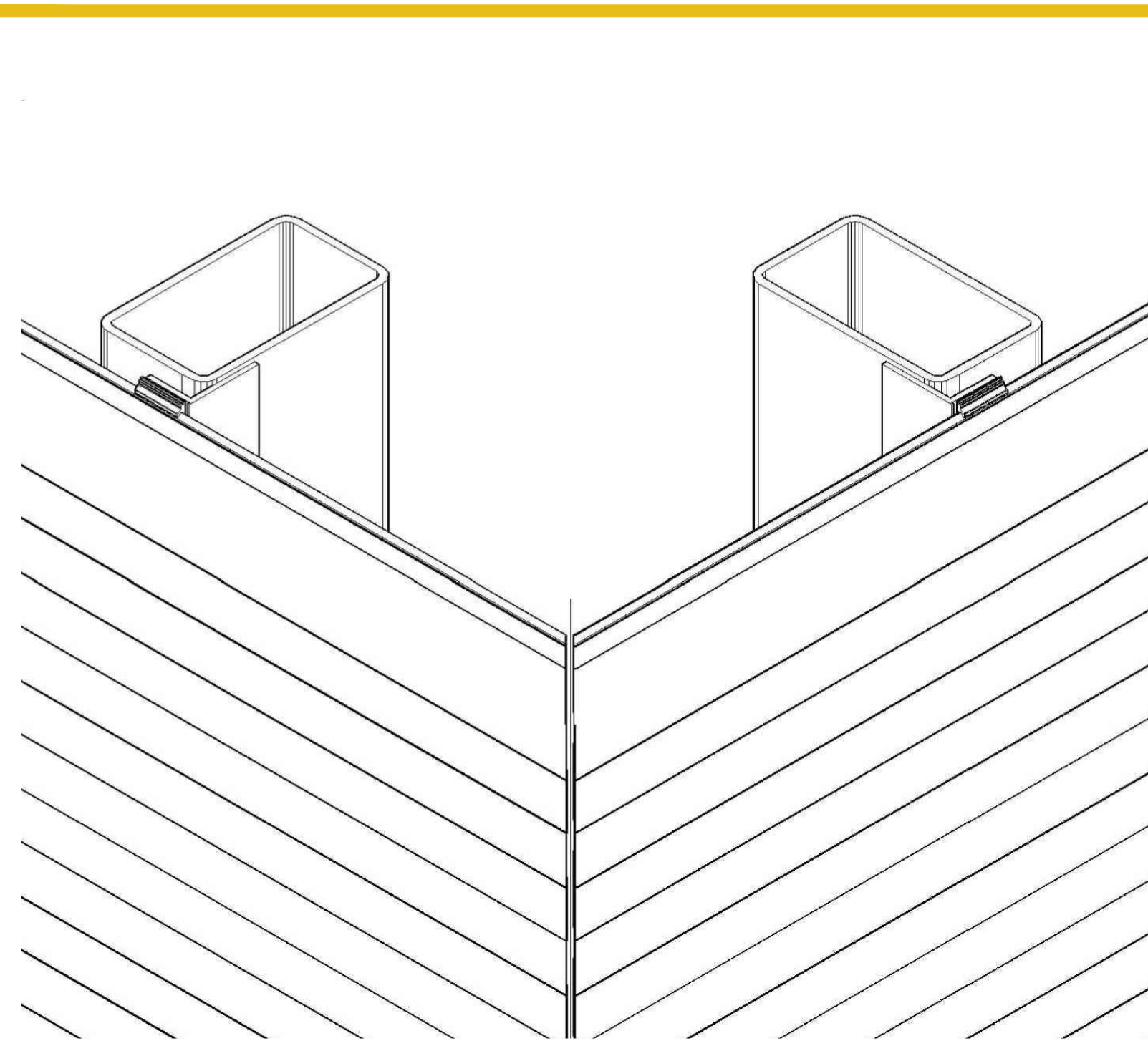
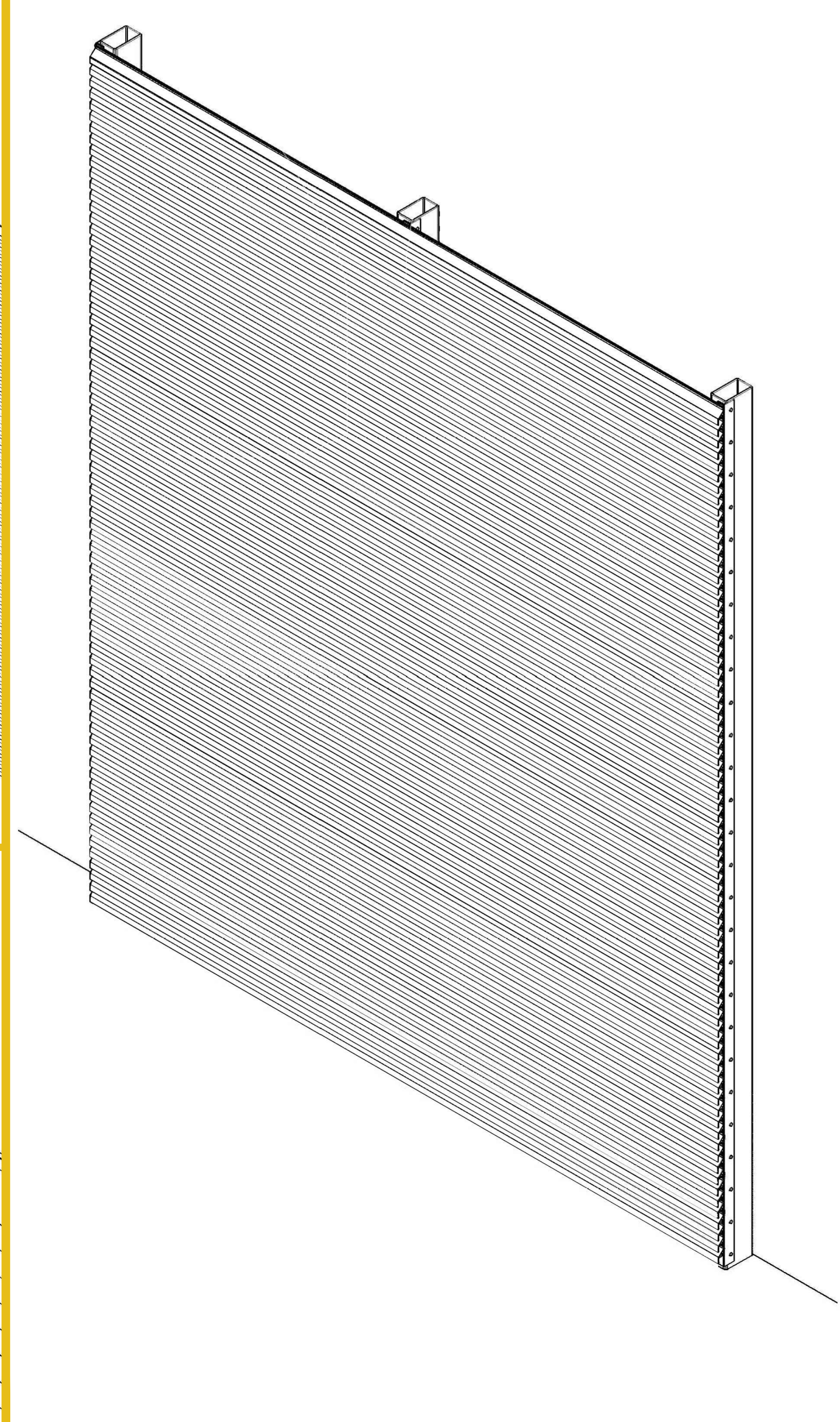
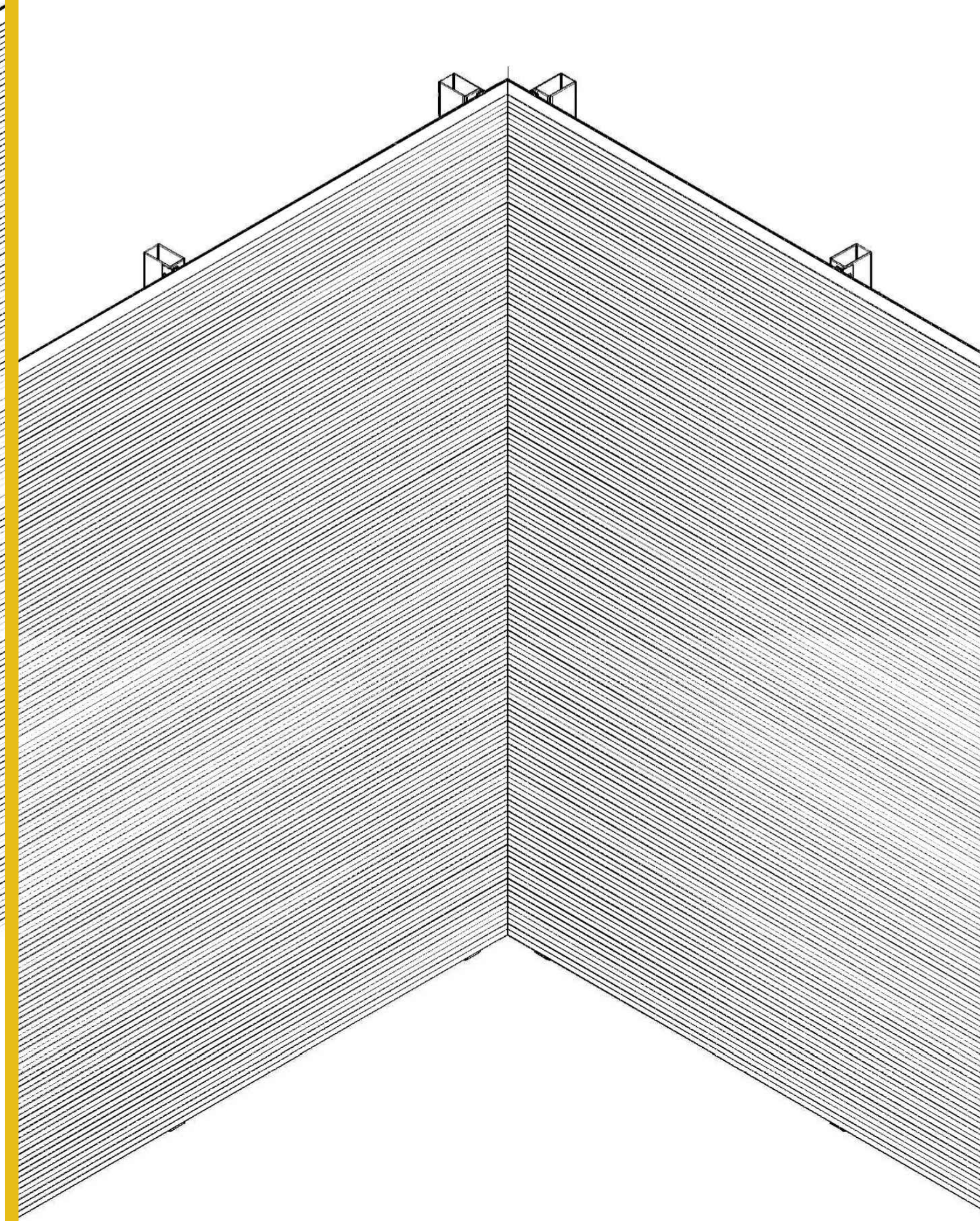
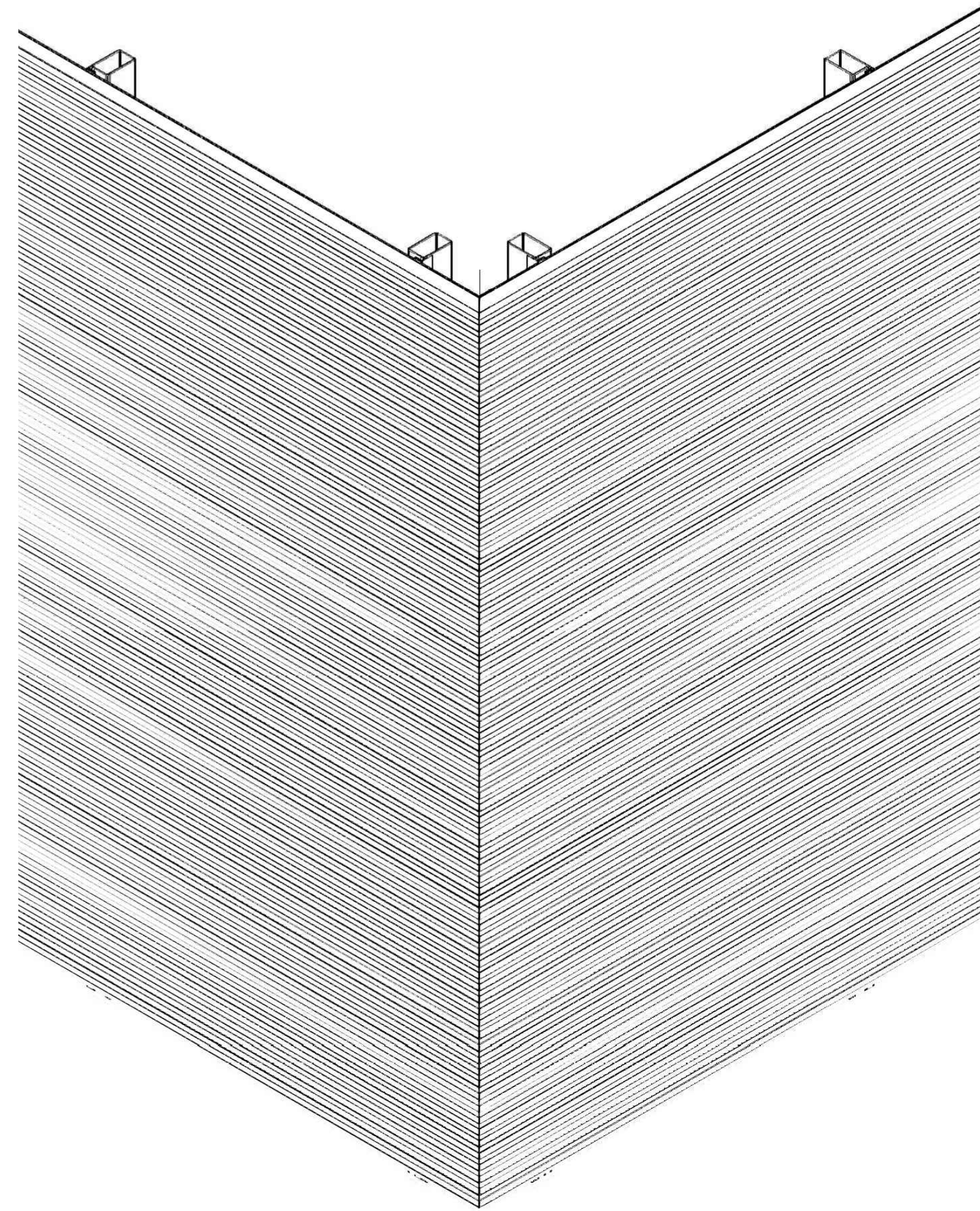


- 1 Aluminum profile Solar - Tech ST 67Z
- 2 Aluminum profile Solar - Tech ST 67ZG (GRIP)
- 3 Aluminum profile Solar - Tech ST L50Z
- 4 Load bearing bracket
- 5 Bracket for sliding connections
- 6 Steel post/pole
- 7 Dilatation 1 - 1,5 mm/m
- 8 Spacer
- 9 Welded bracket
- 10 Weld
- 11 Aluminum bracket



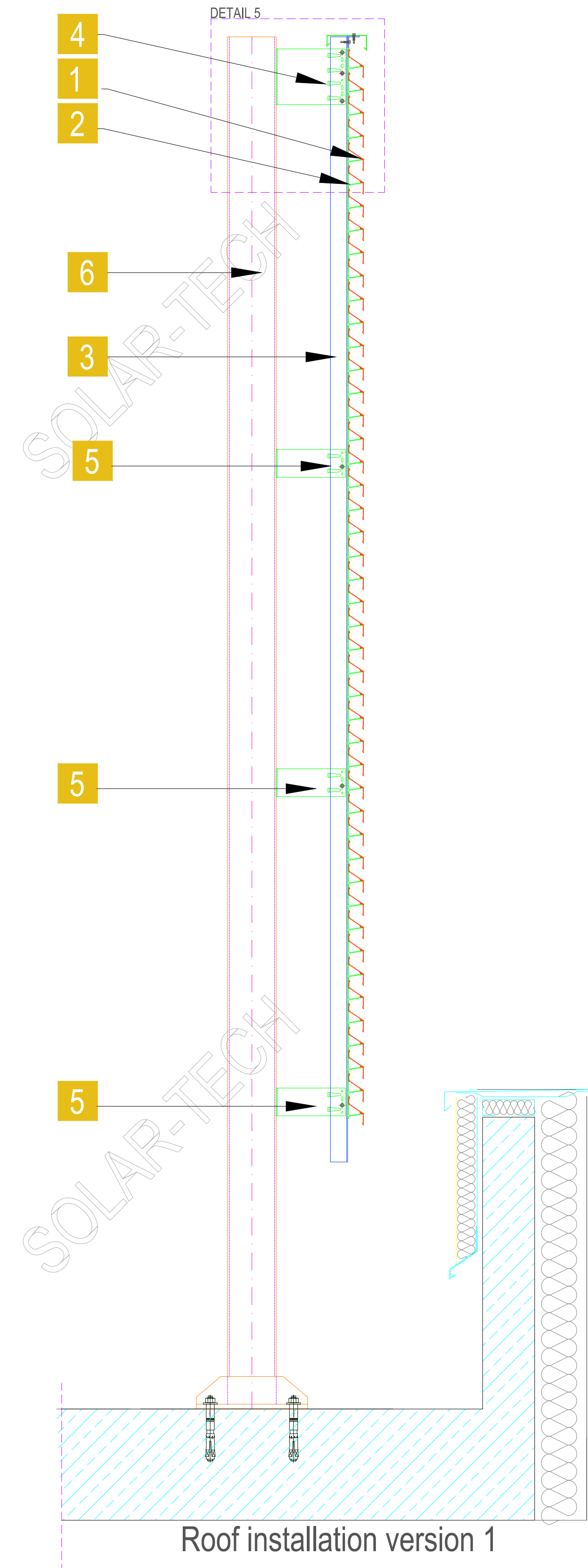
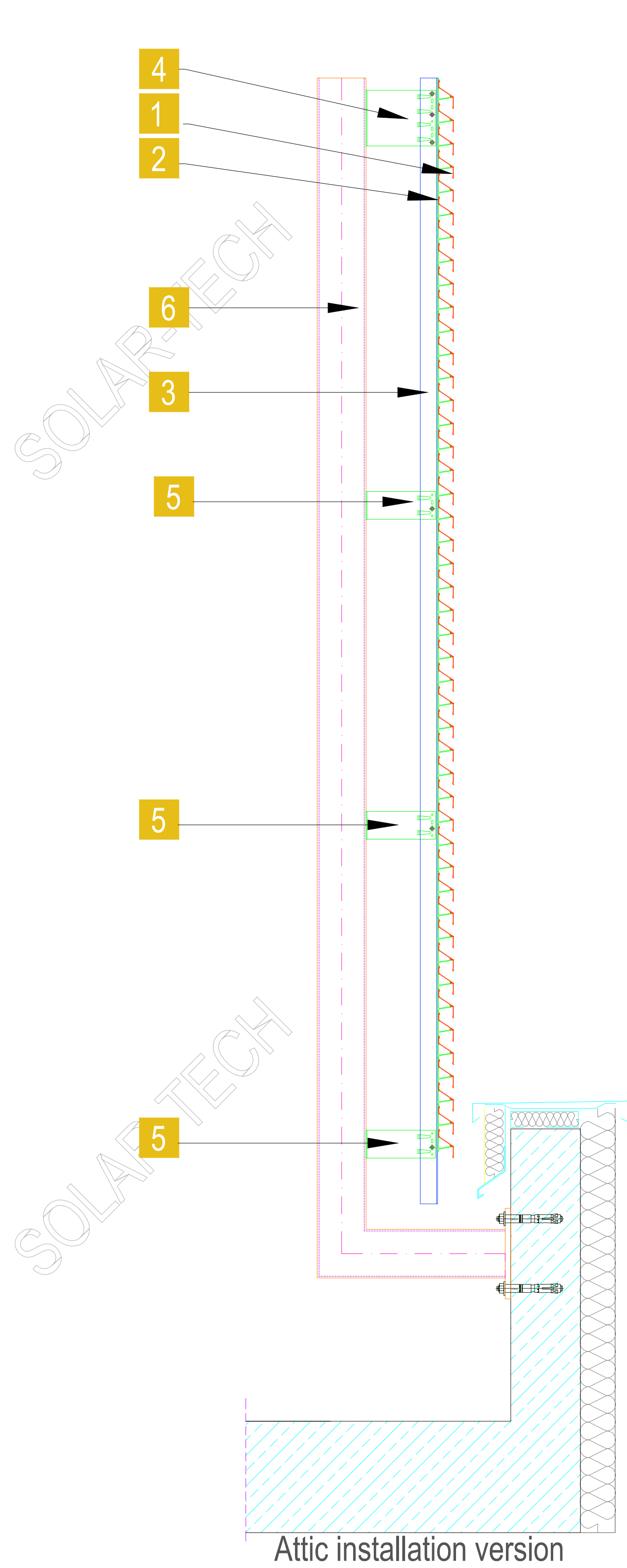


- 1 Aluminum profile Solar - Tech ST 67ZL
- 2 Aluminum profile Solar - Tech ST 67ZG (GRIP)
- 3 Aluminum profile Solar - Tech ST L50Z
- 4 Load bearing bracket
- 5 Bracket for sliding connections
- 6 Steel post/pole
- 7 Dilatation 1 - 1,5 mm/m
- 8 Spacer
- 9 Welded bracket
- 10 Weld
- 11 Aluminum bracket

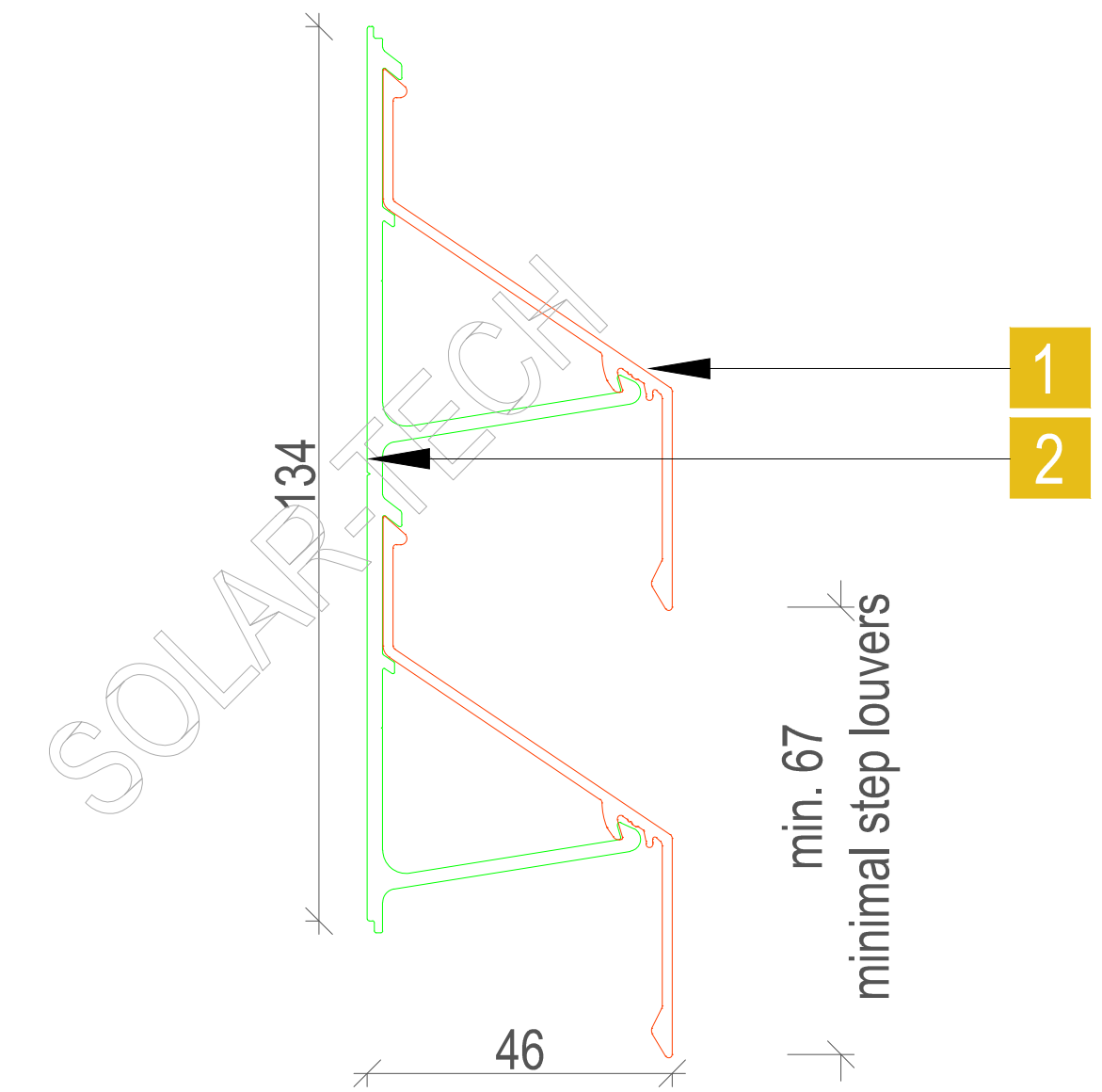
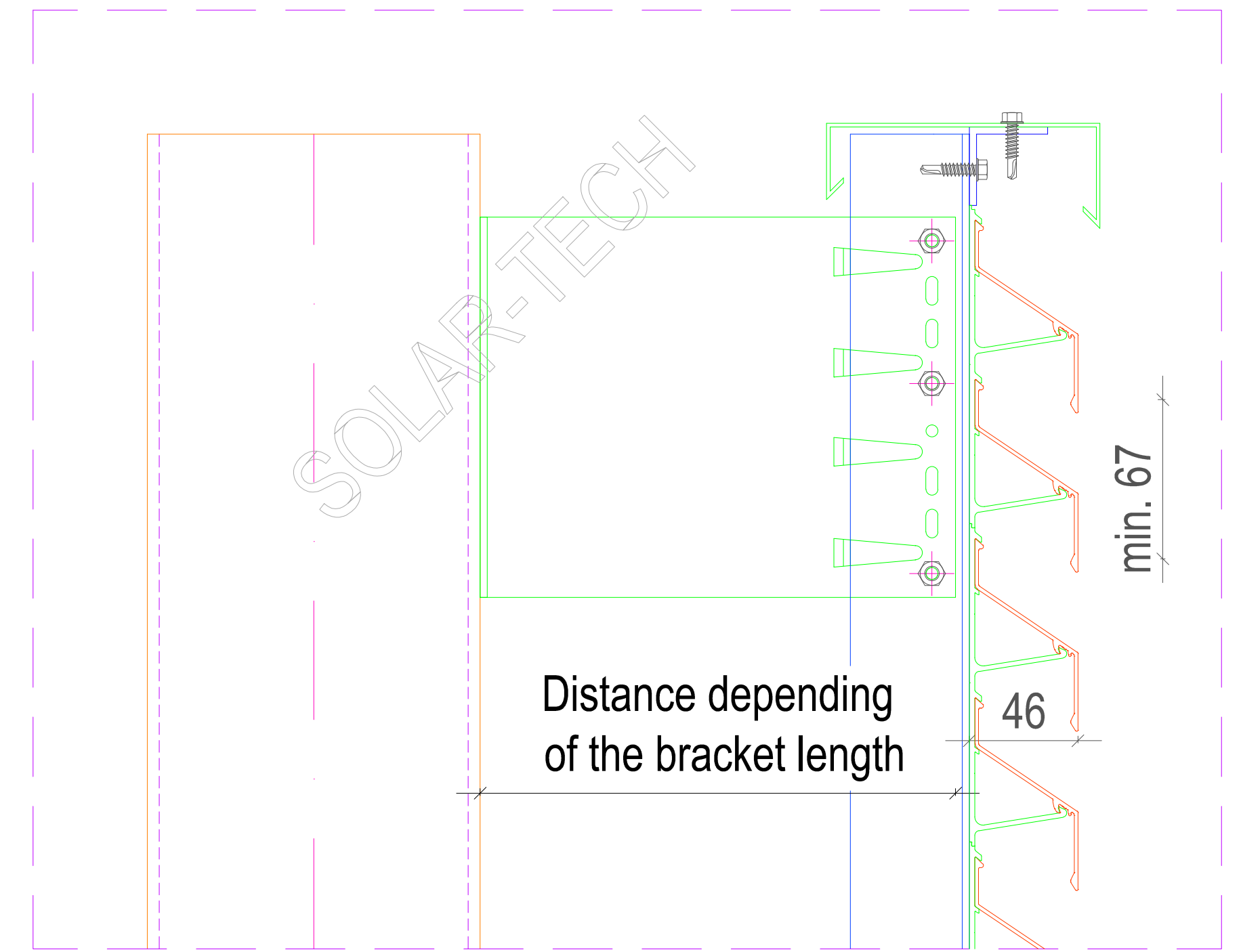




- 1 Aluminum profile Solar - Tech ST 67ZL
- 2 Aluminum profile Solar - Tech ST 67ZG(GRIP)
- 3 Aluminum profile Solar - Tech ST L50Z
- 4 Load bearing bracket
- 5 Bracket for sliding connections
- 6 Steel post/pole
- 7 Dilatation 1 - 1,5 mm/m
- 8 Spacer
- 9 Welded bracket
- 10 Weld
- 11 Aluminum bracket

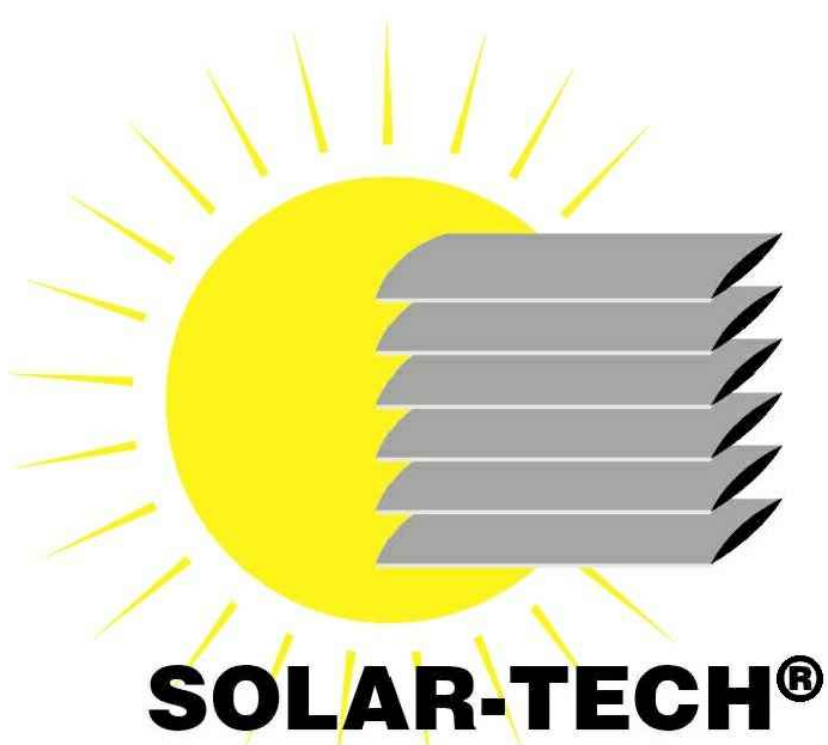


DETAIL 5.  
Top covering

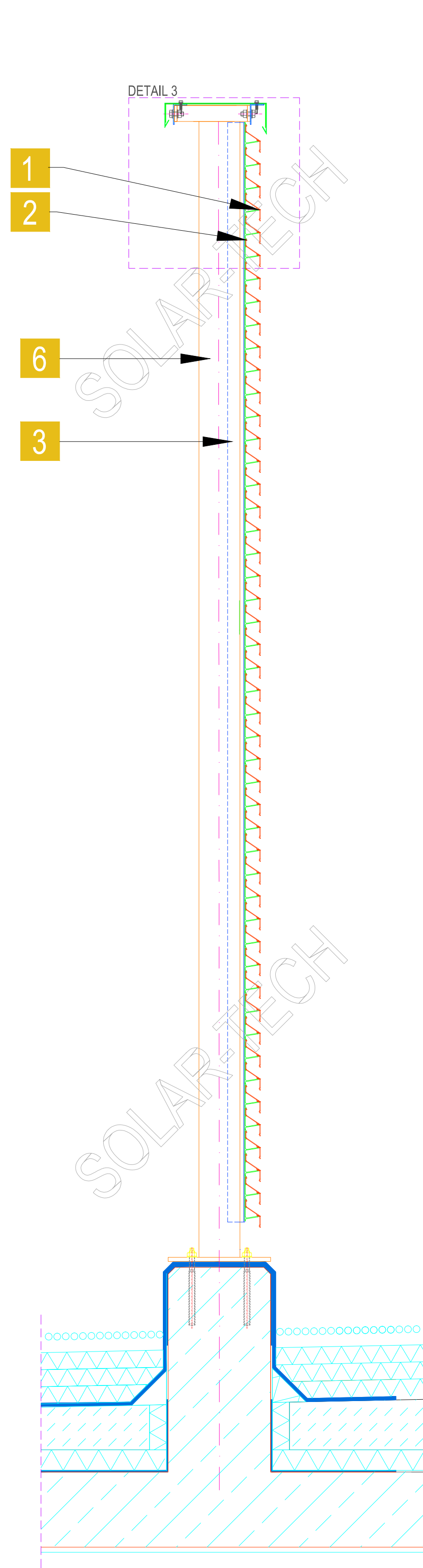


**CAUTION!**

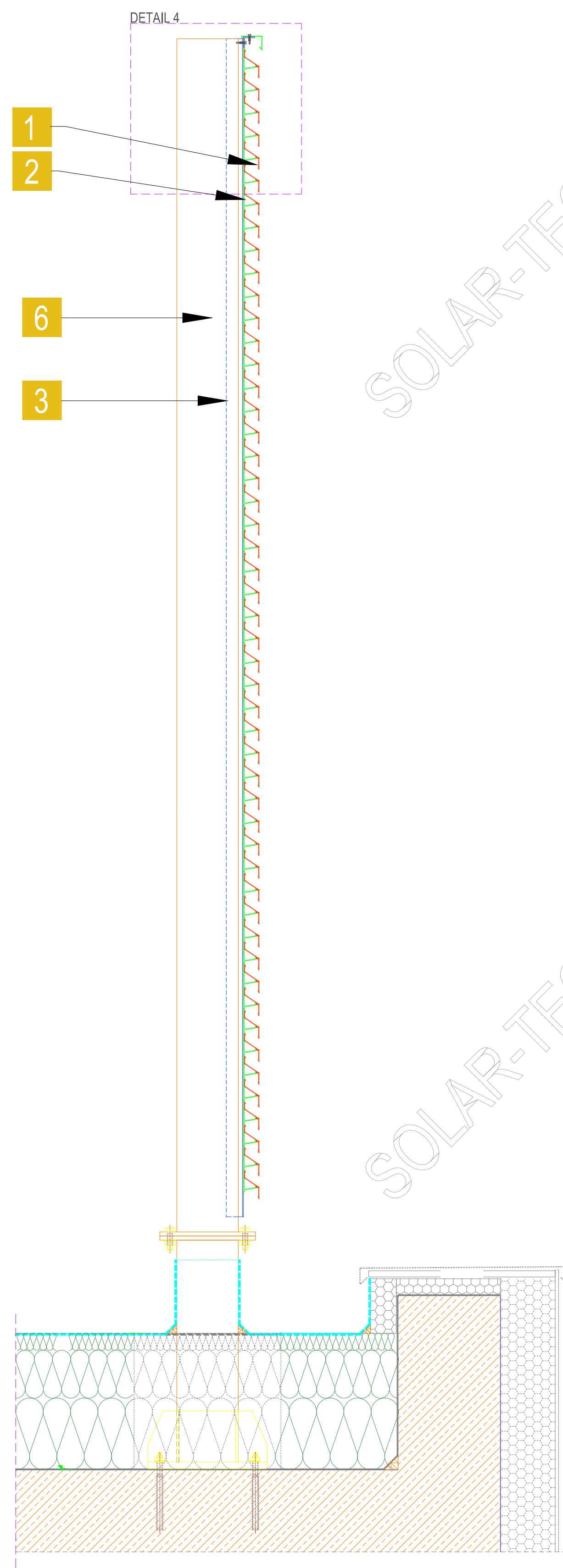
Presented solutions are only a sample. In any doubts, please contact the Solar - Tech company. Pole and beams shape and sizes according to the technical calculation.



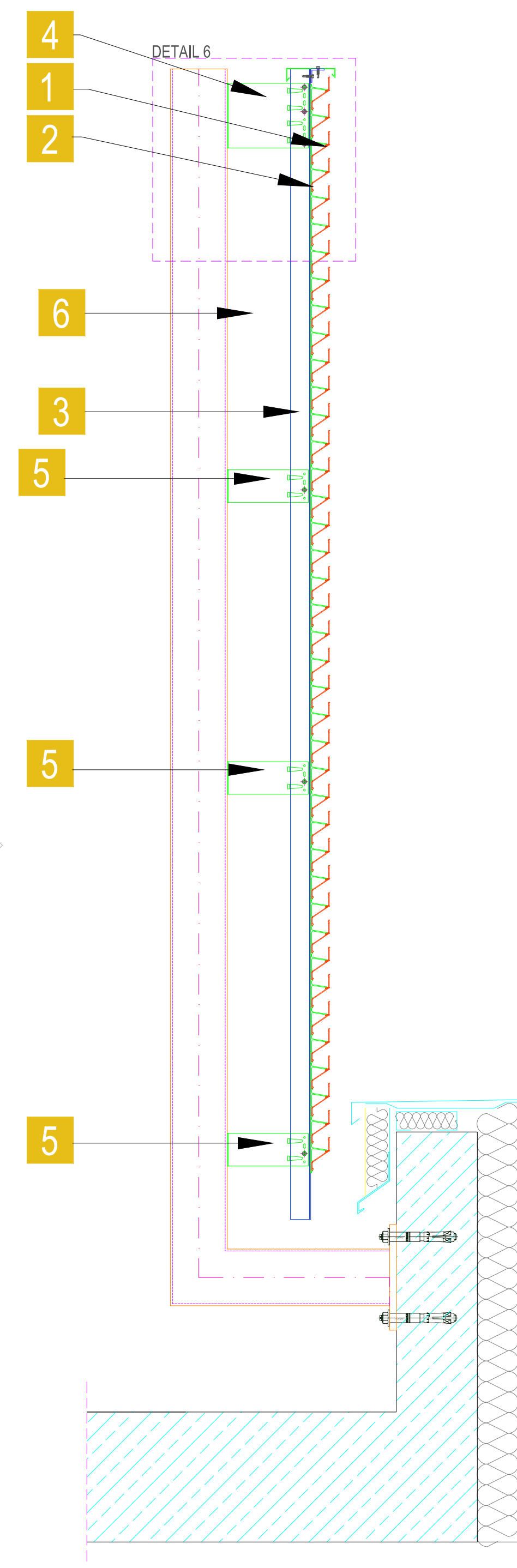
- 1 Aluminum profile Solar - Tech ST 67ZL
- 2 Aluminum profile Solar - Tech ST 67ZG(GRIP)
- 3 Aluminum profile Solar - Tech ST L50Z
- 4 Load bearing bracket
- 5 Bracket for sliding connections
- 6 Steel post/pole
- 7 Dilatation 1 - 1,5 mm/m
- 8 Spacer
- 9 Welded bracket
- 10 Weld
- 11 Aluminum bracket



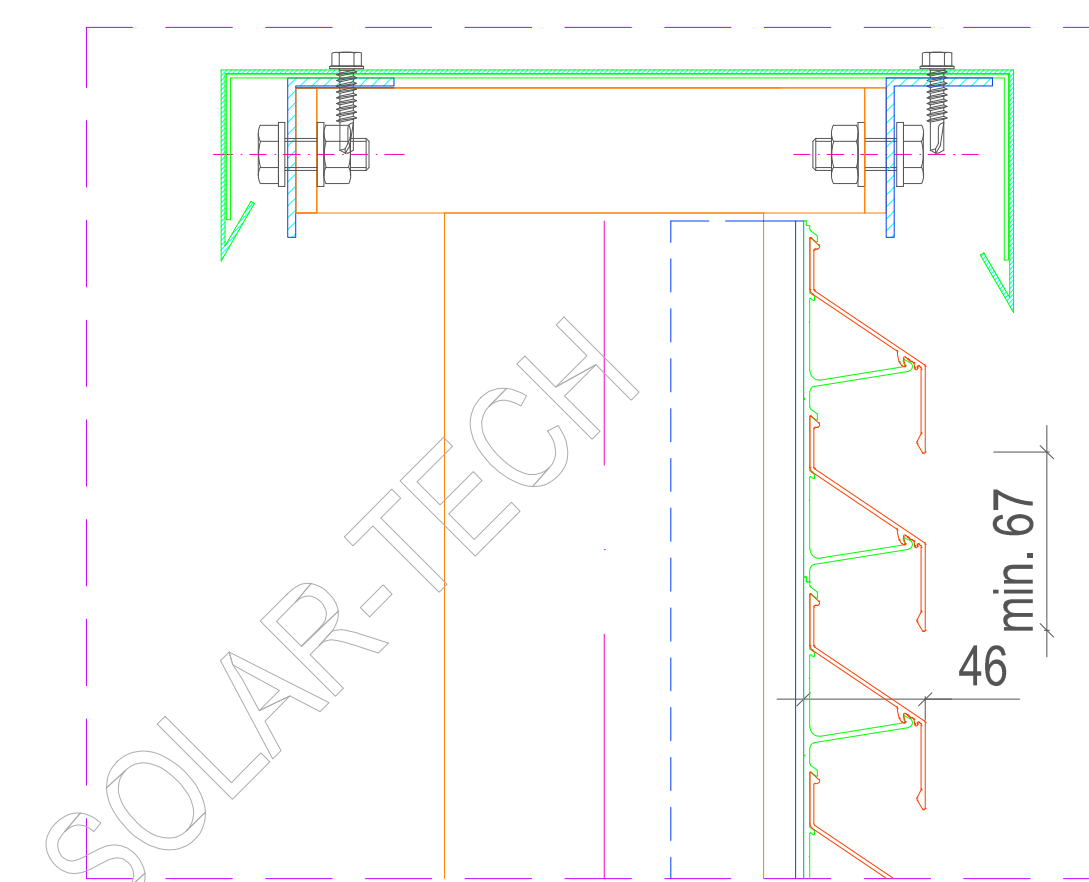
Roof installation version 2



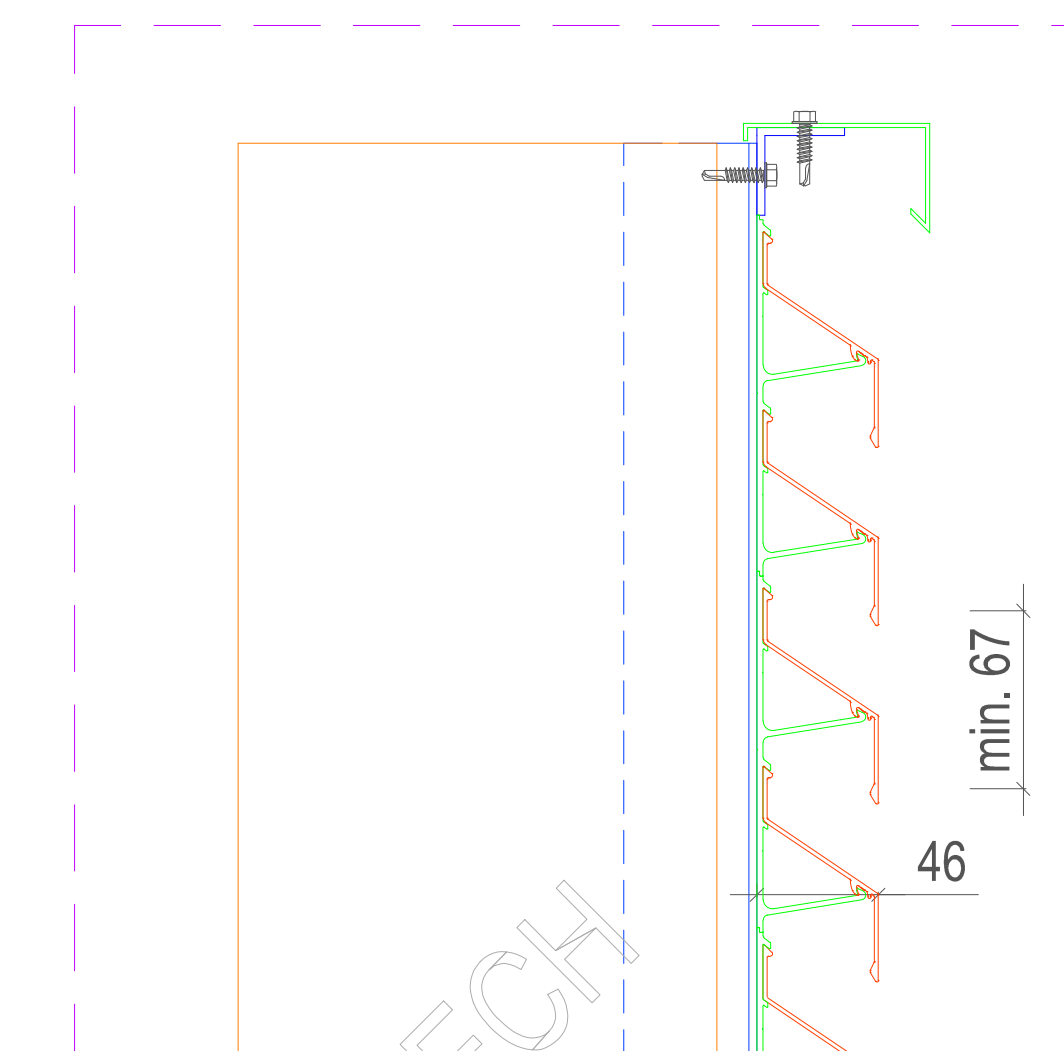
Roof installation version 3  
Steel construction divided.



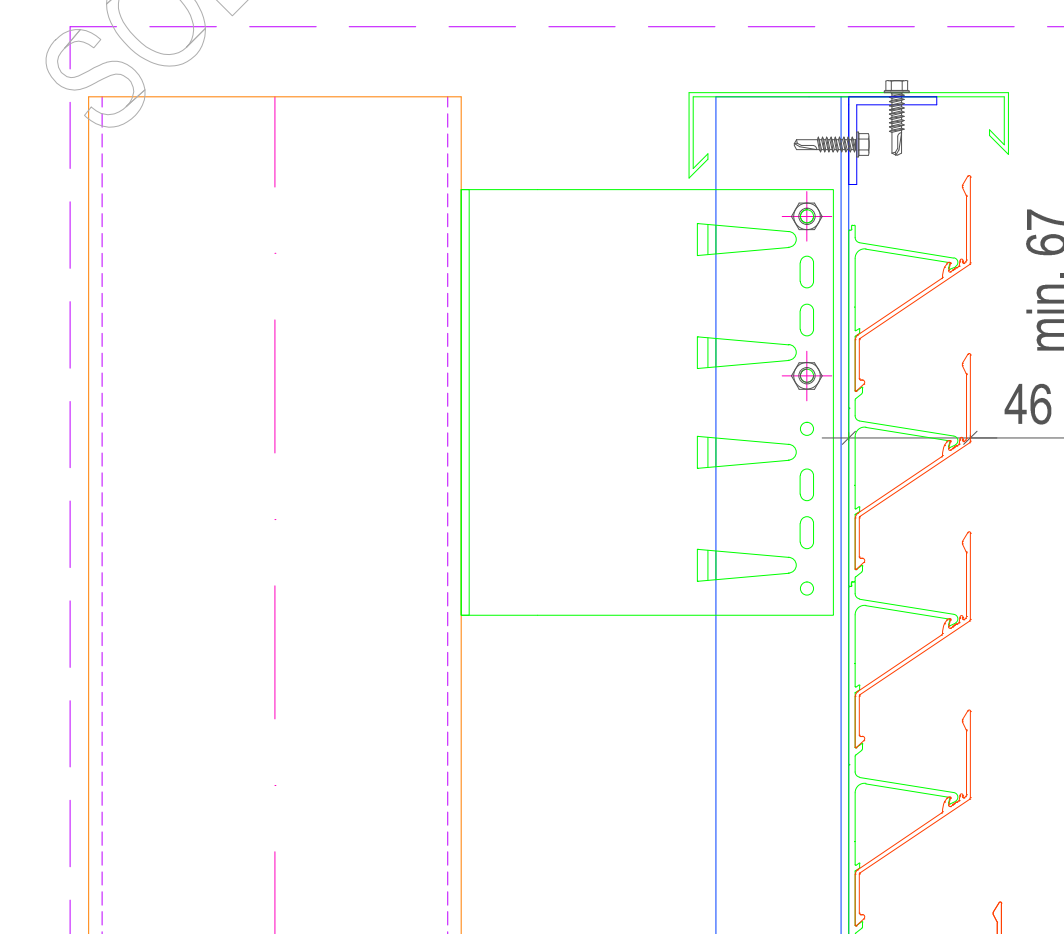
Attic installation version



DETAIL 3.  
Covering ver. 1



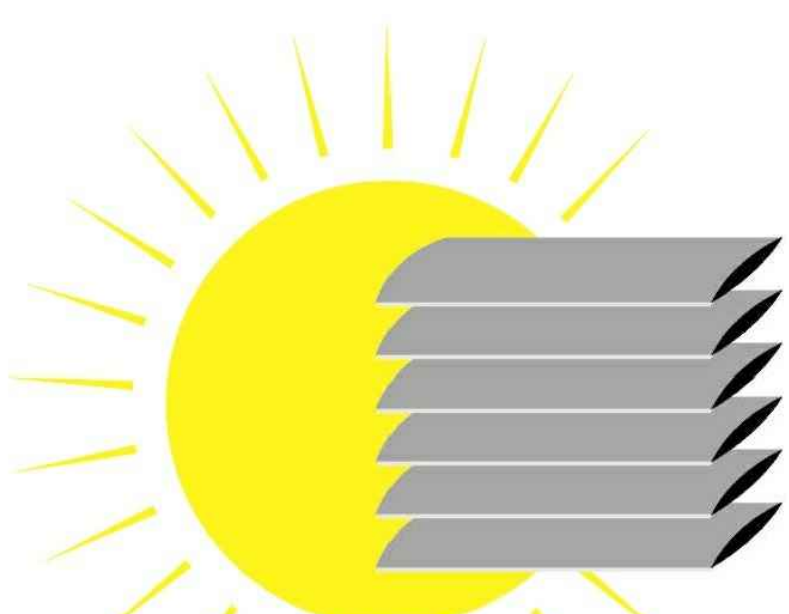
DETAIL 4.  
Covering ver. 2



DETAIL 6.  
Covering ver. 3  
and  
installation "upside  
down".

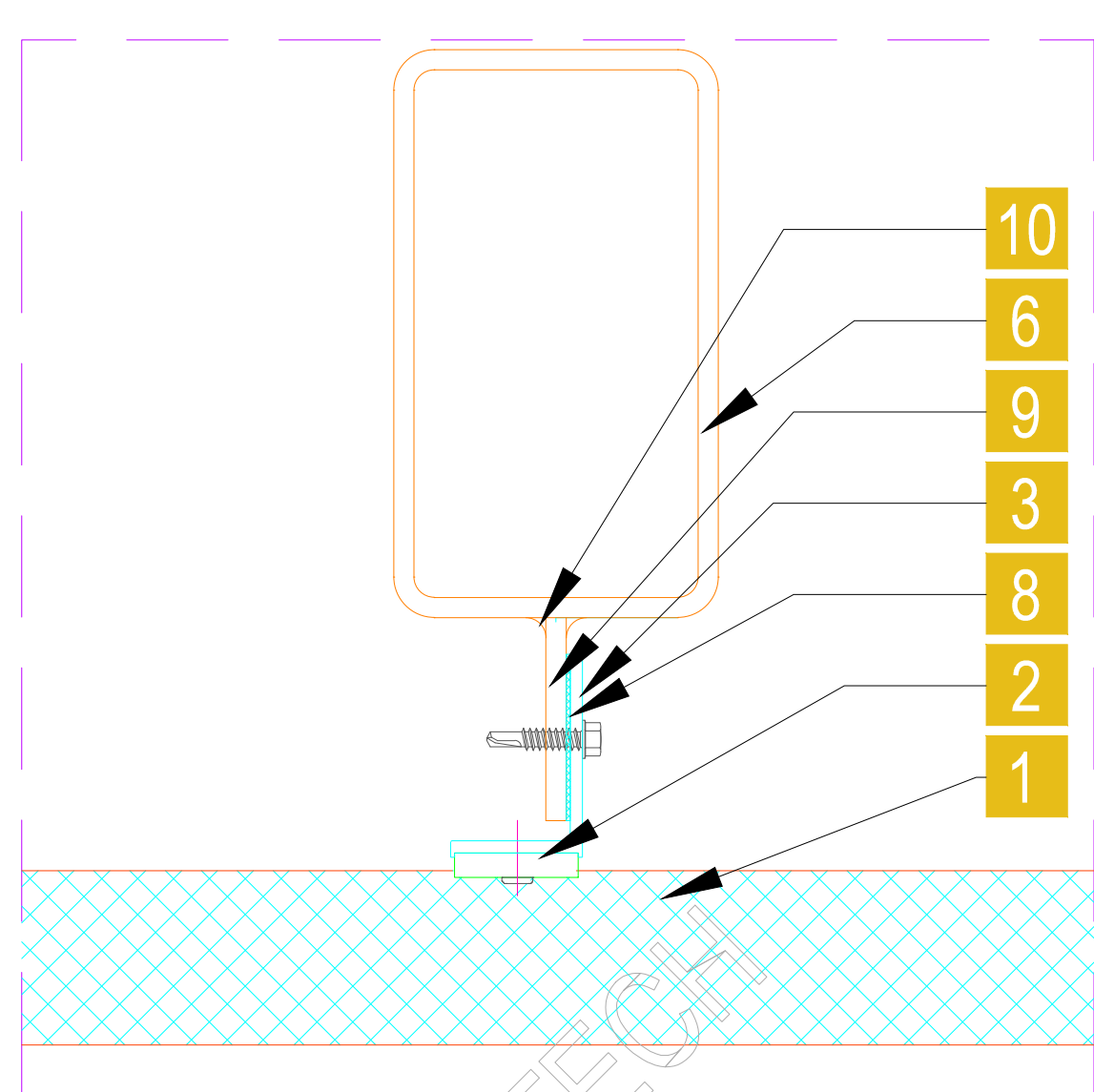
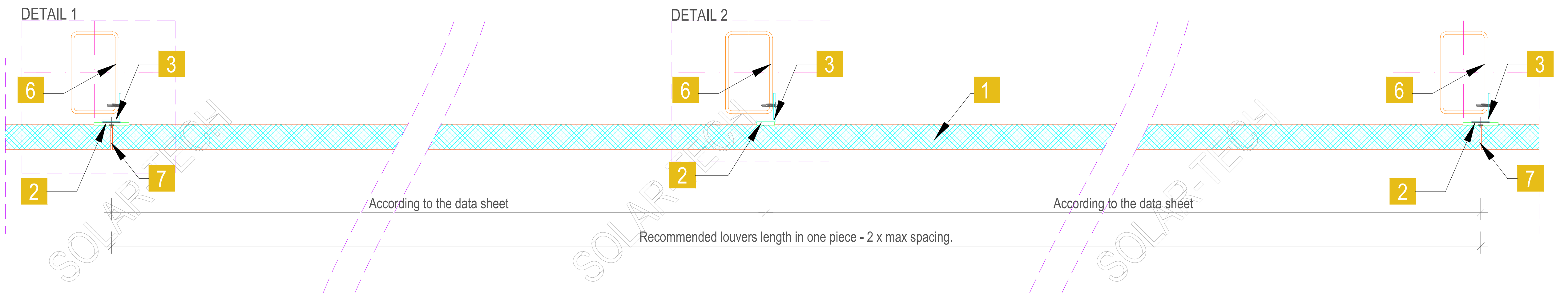
**CAUTION!**

Presented solutions are only a sample. In any doubts, please contact the Solar - Tech company. Pole and beams shape and sizes according to the technical calculation.

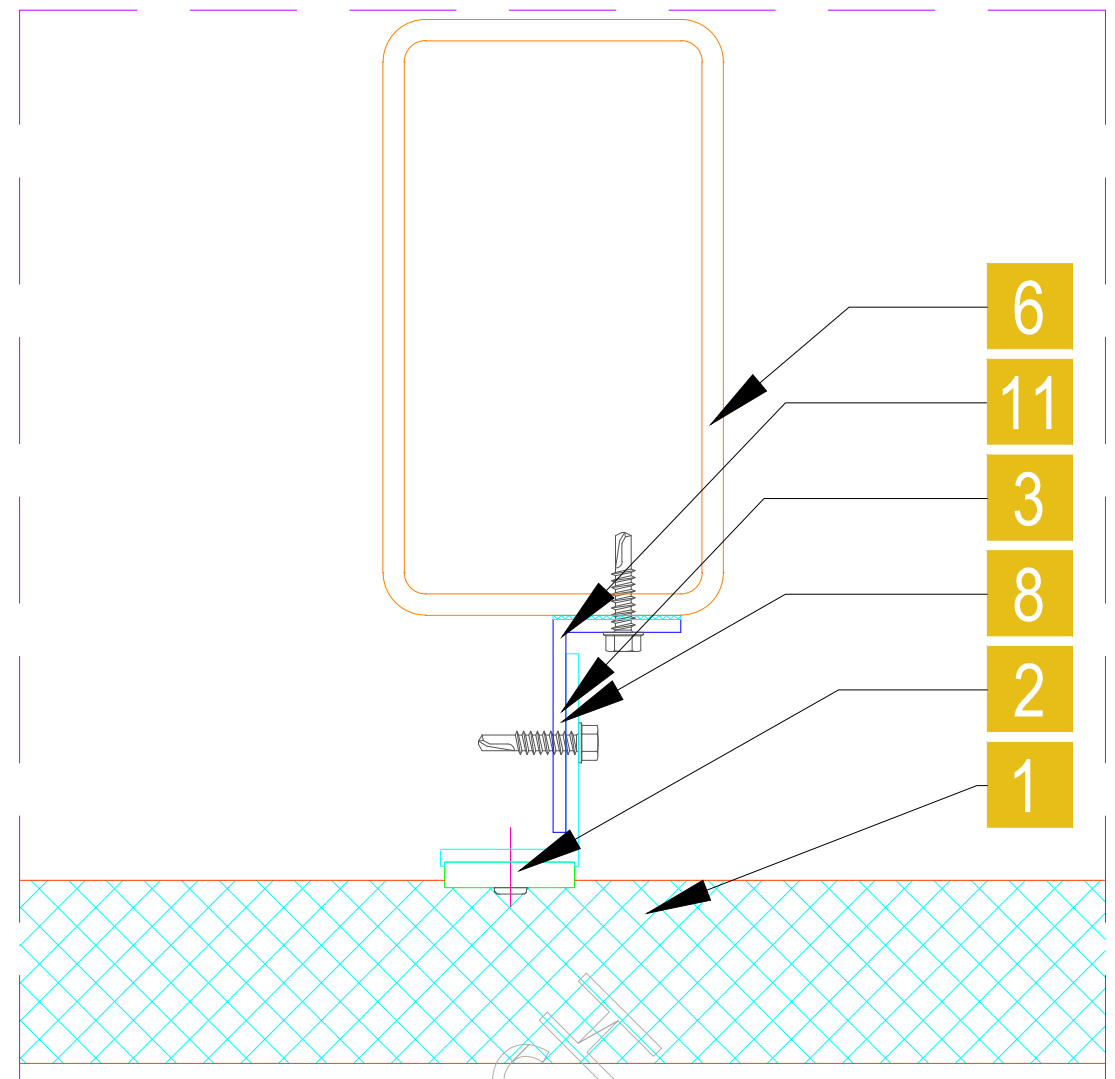


**SOLAR-TECH®**

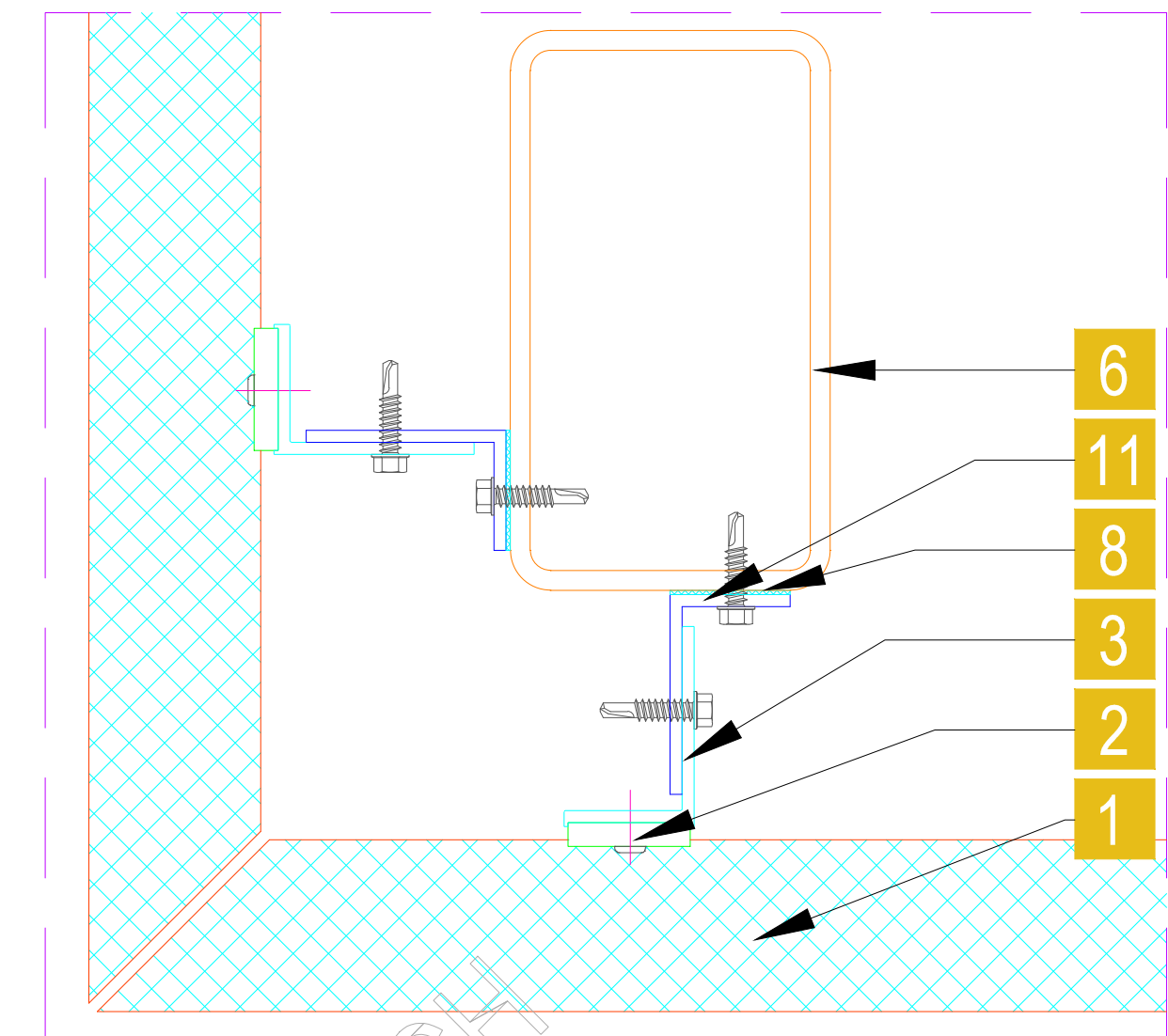




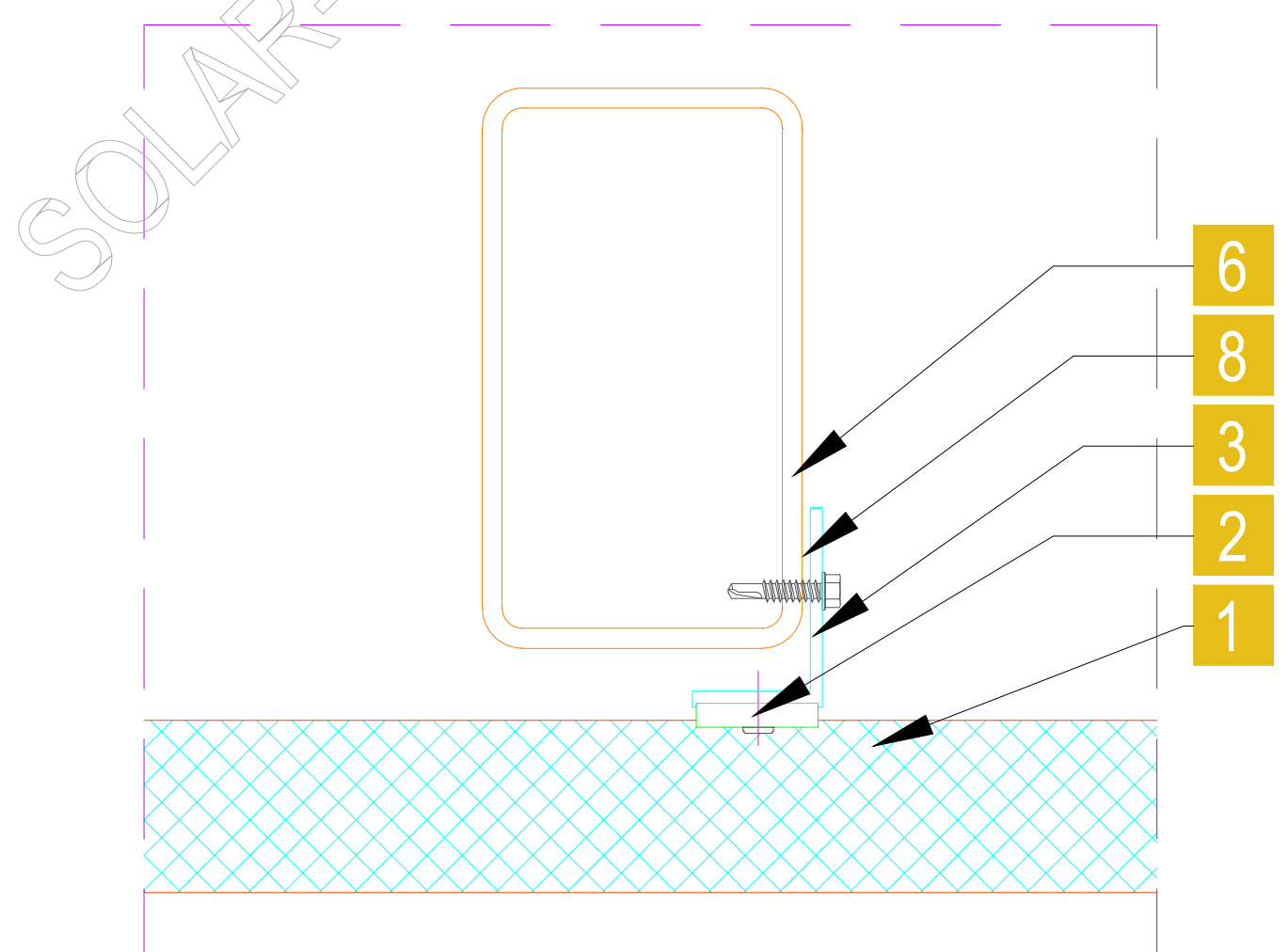
DETAIL 2 Option 1.  
Welded bracket.



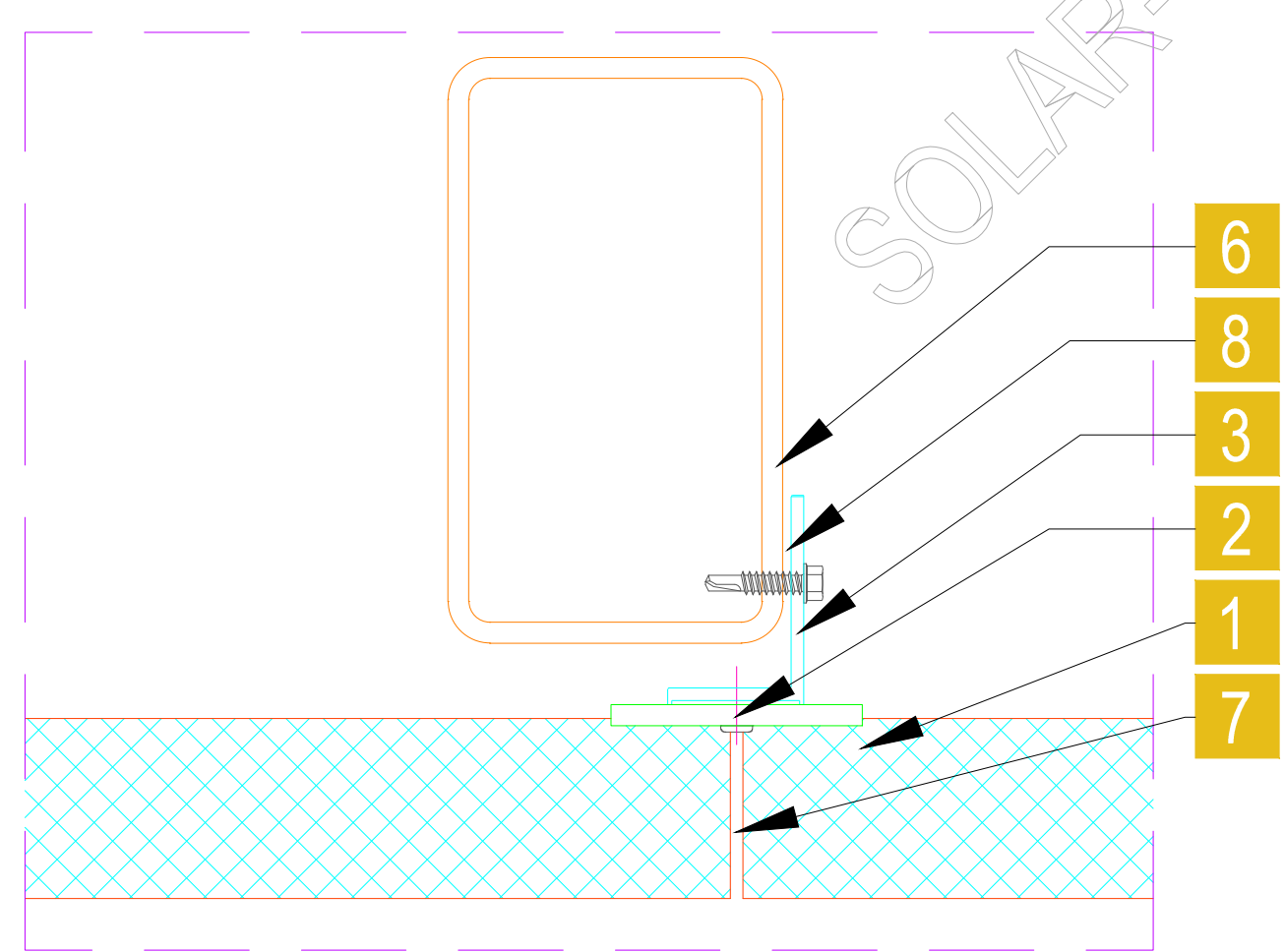
DETAIL 2 Option 2.  
L shaped aluminum  
bracket.



Corner



DETAIL 2 Option 3.  
Side connection.



DETAIL 1.  
Side connection with  
dilatation.

**CAUTION!**

Presented solutions are only a sample. In any doubts, please contact the Solar - Tech company. Pole and beams shape and sizes according to the technical calculation.

