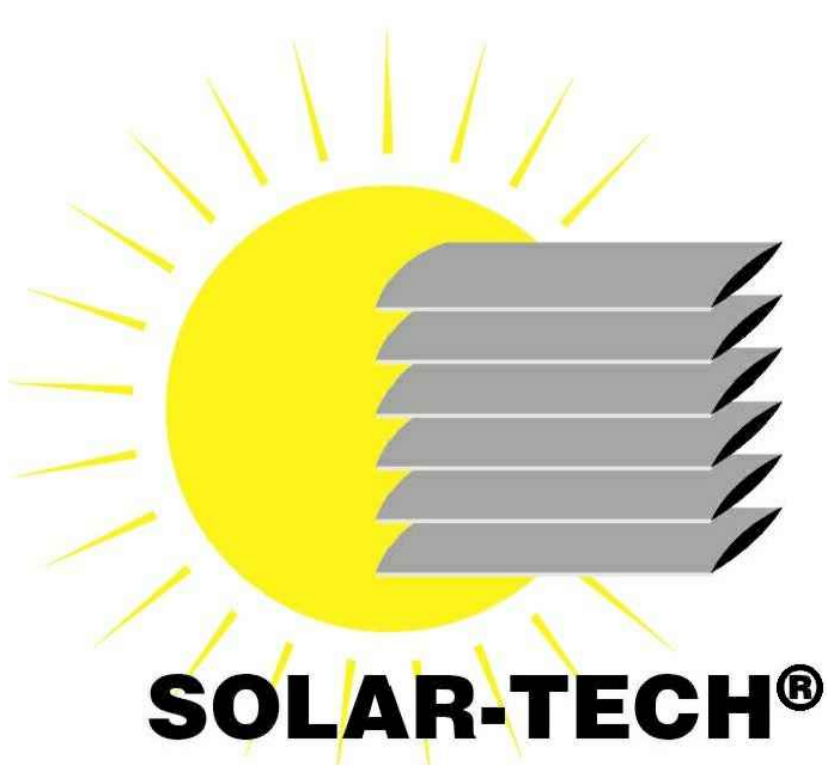
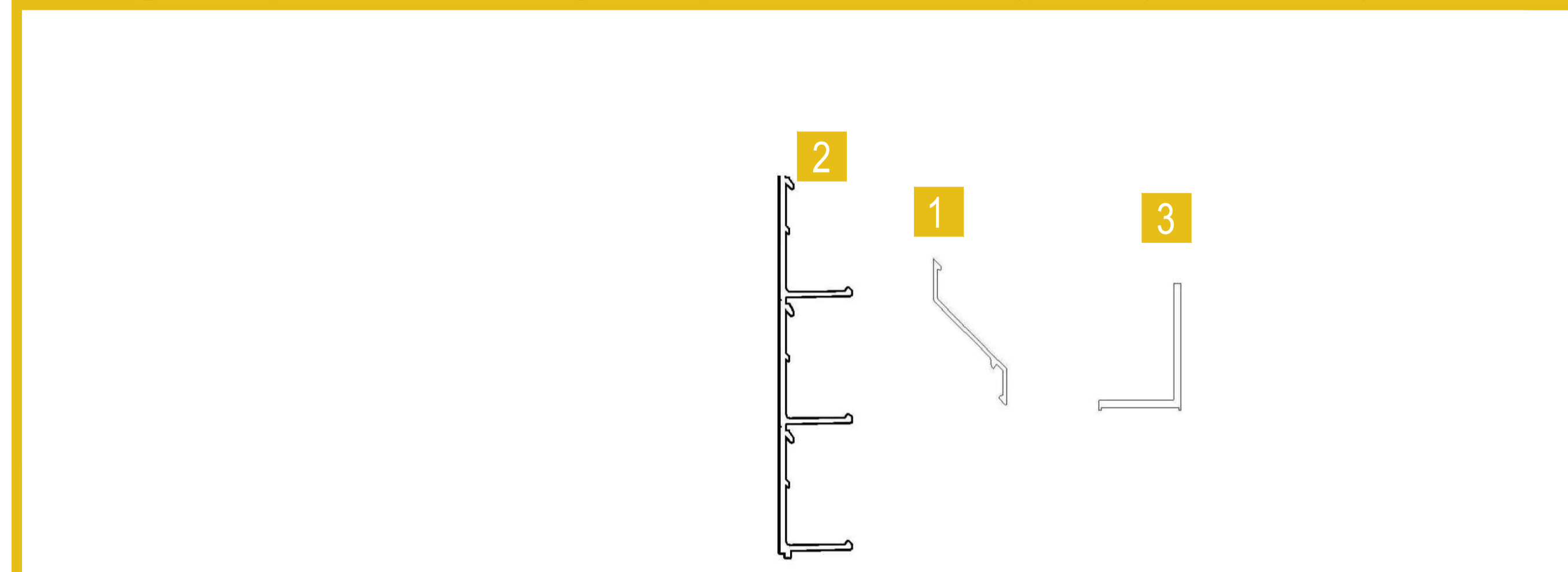
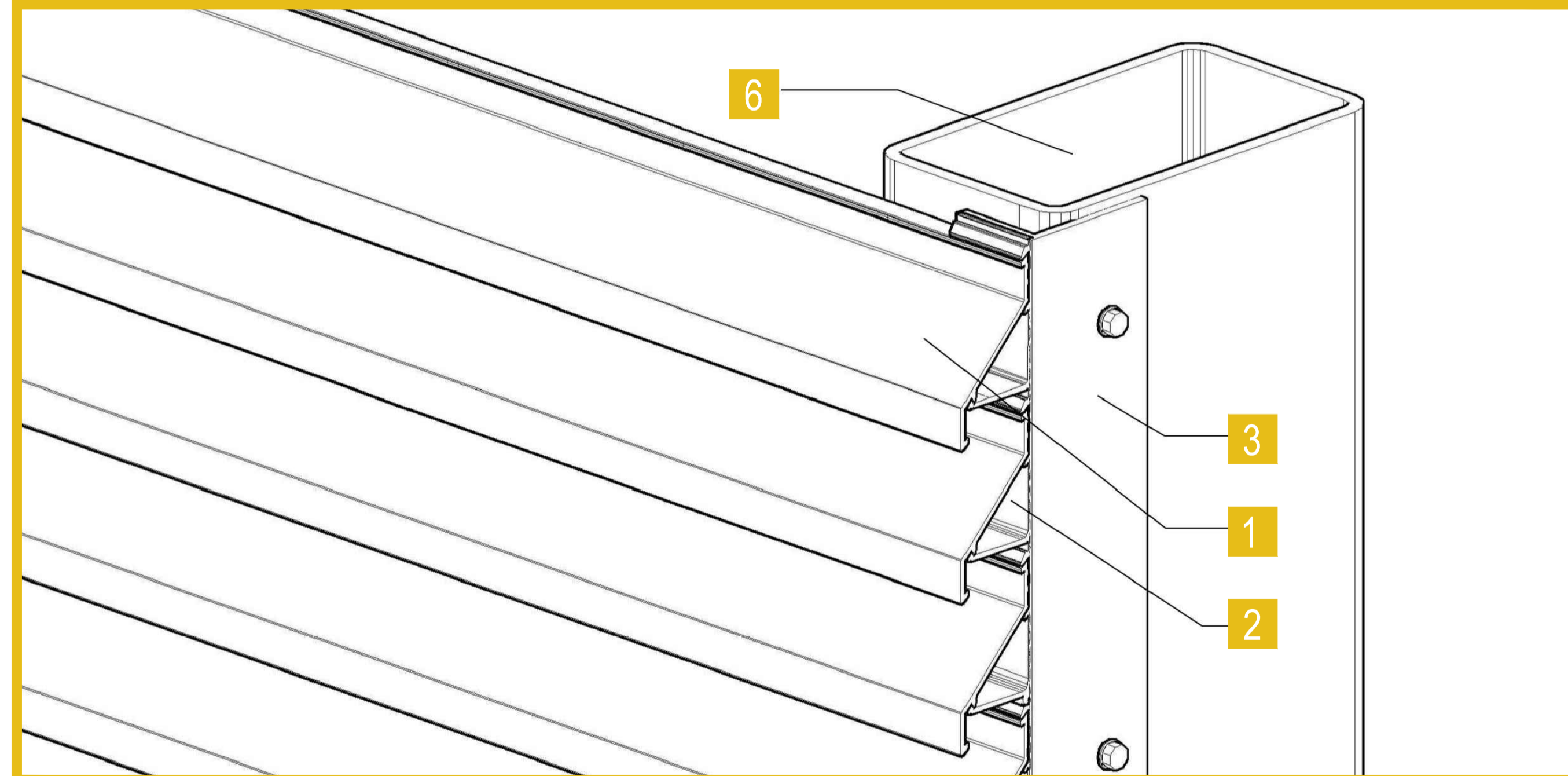
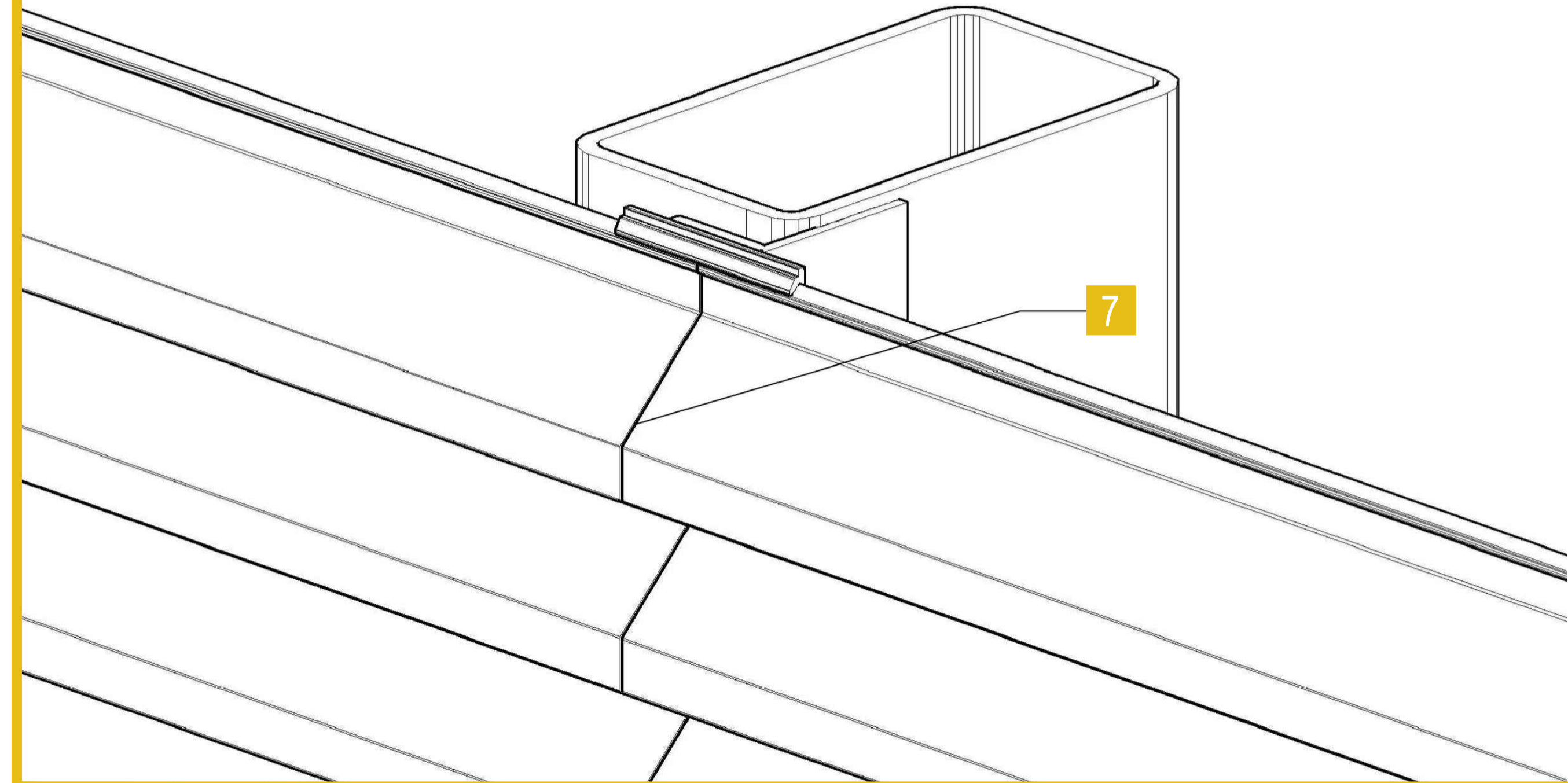
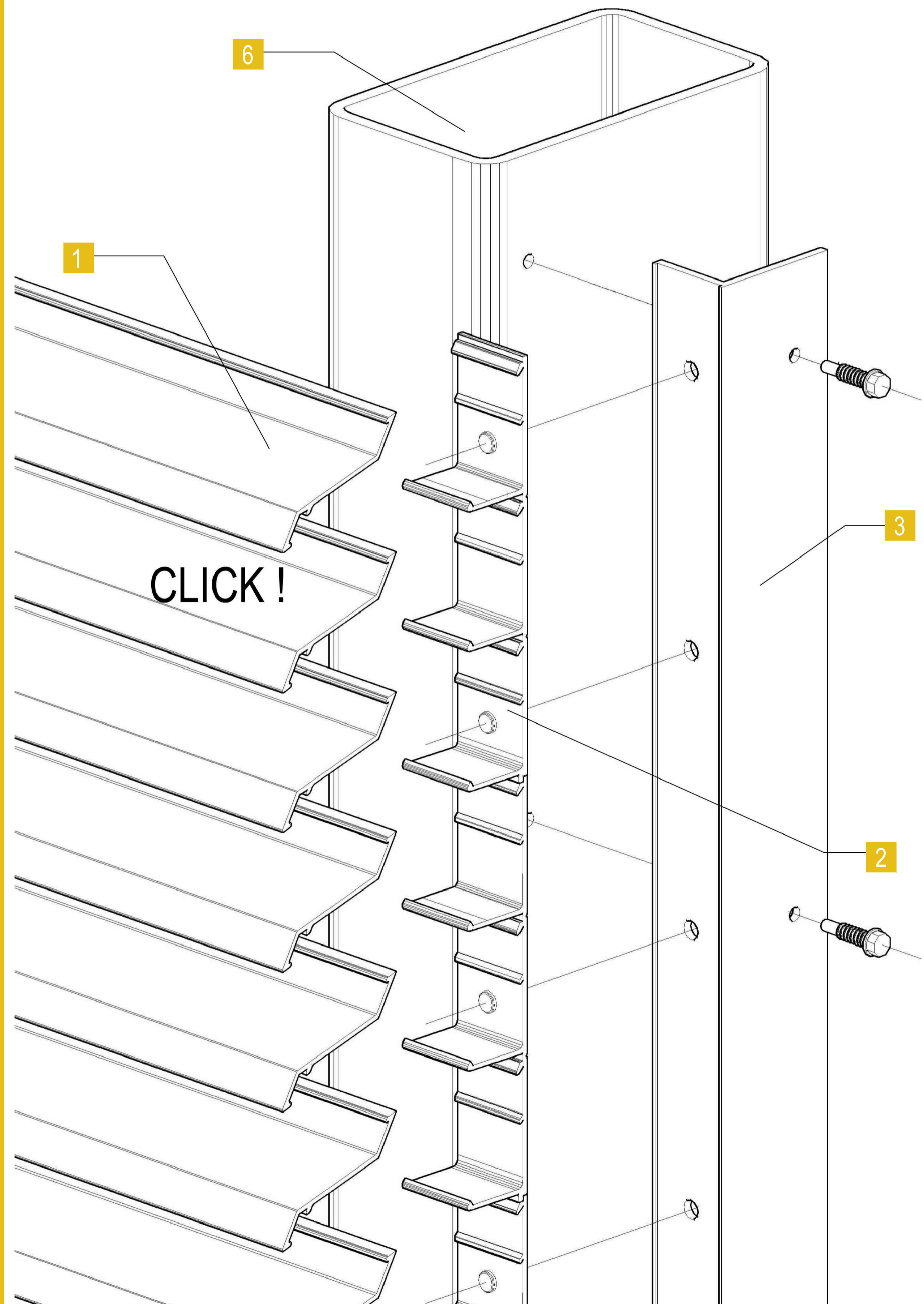
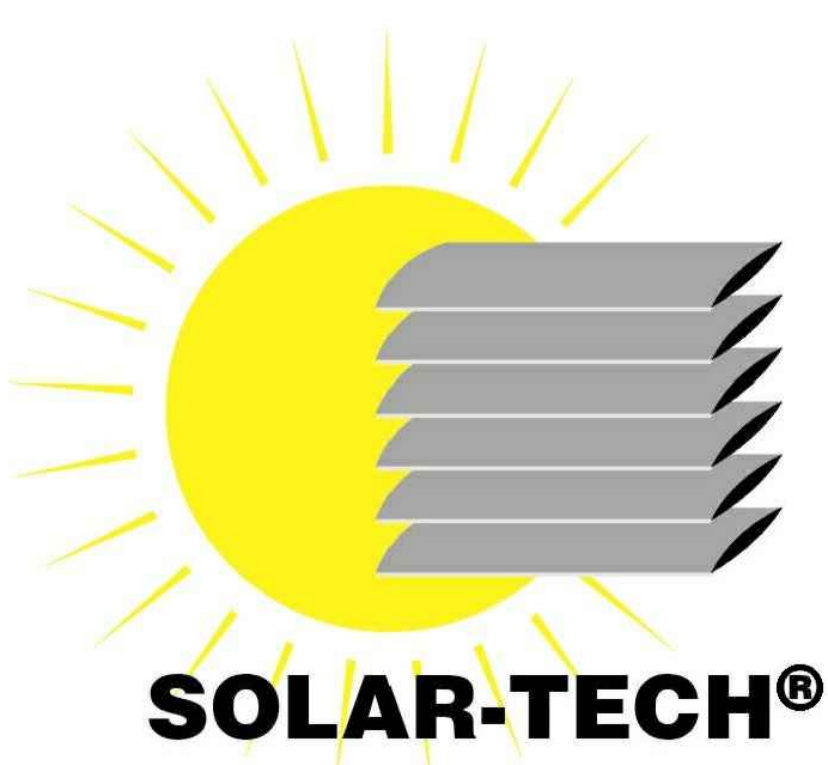
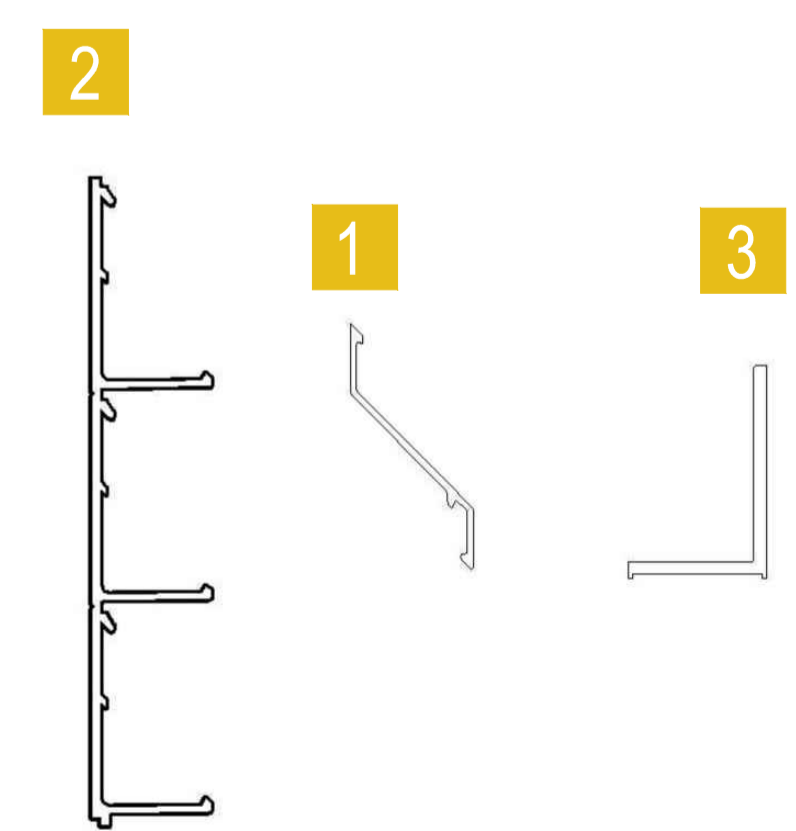
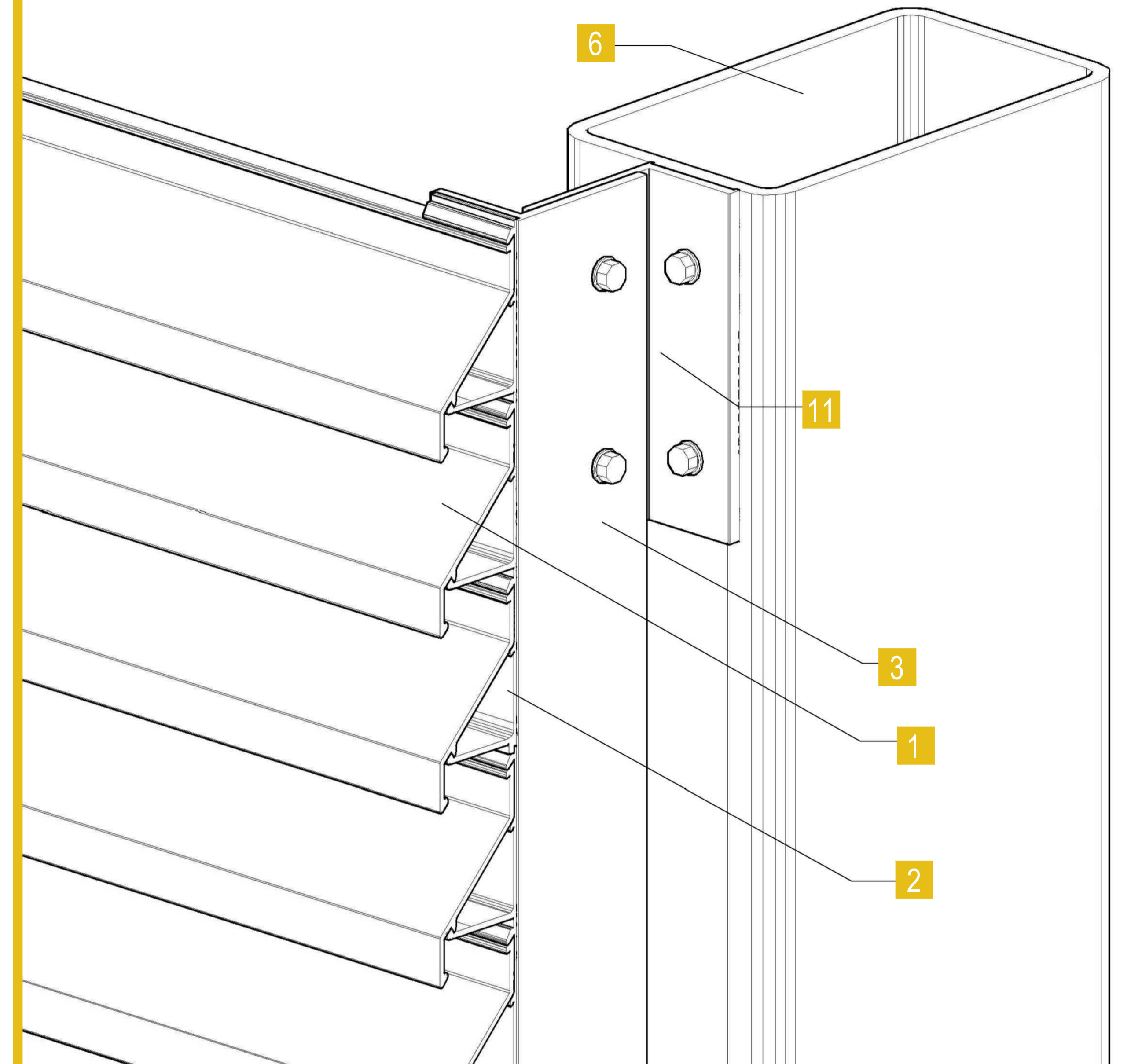
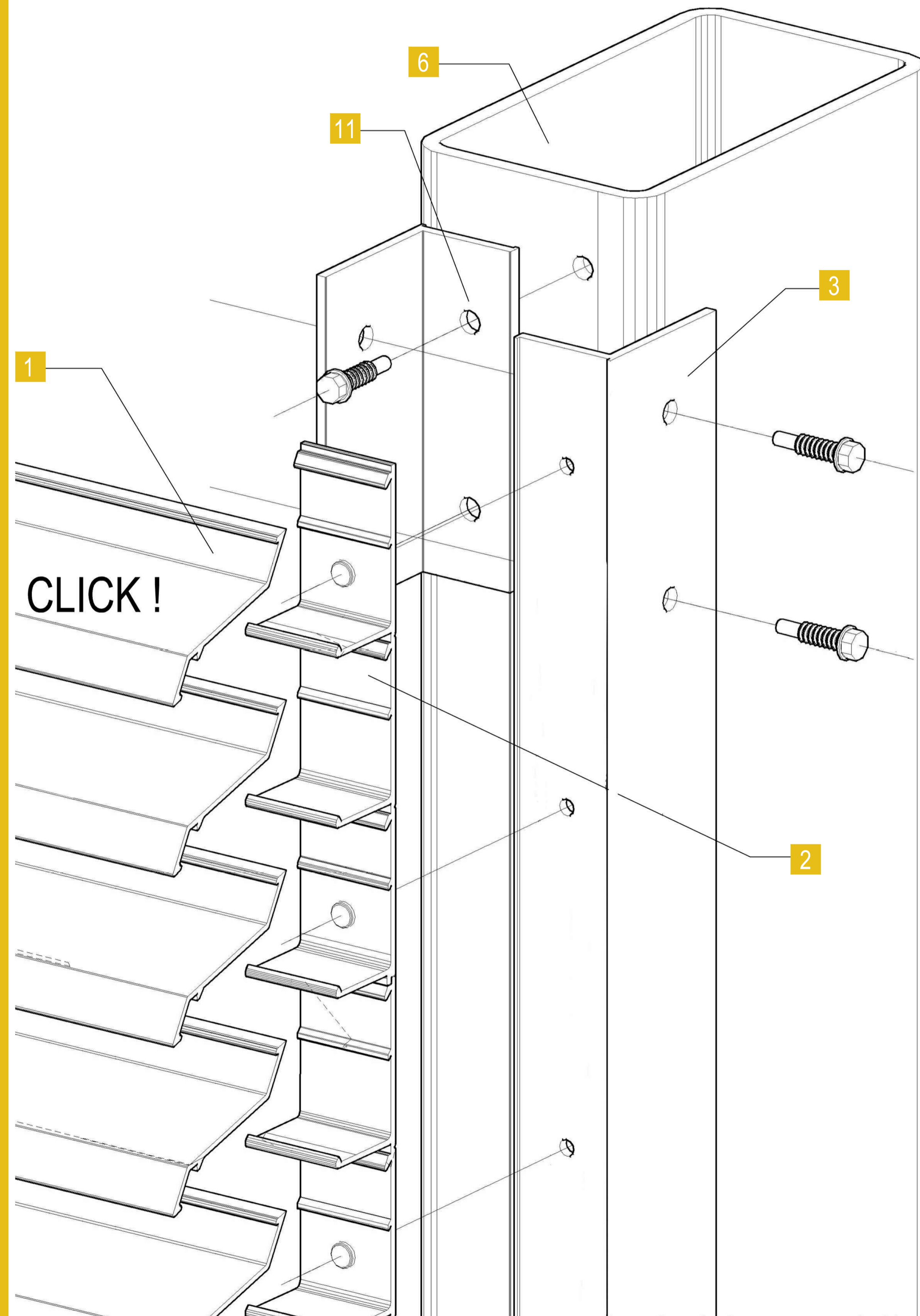


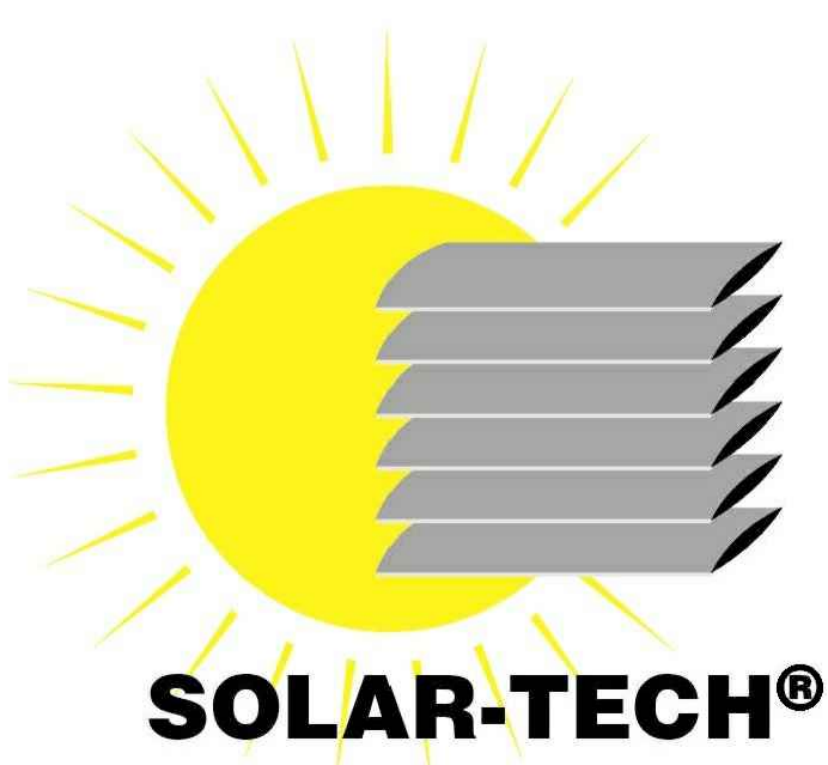
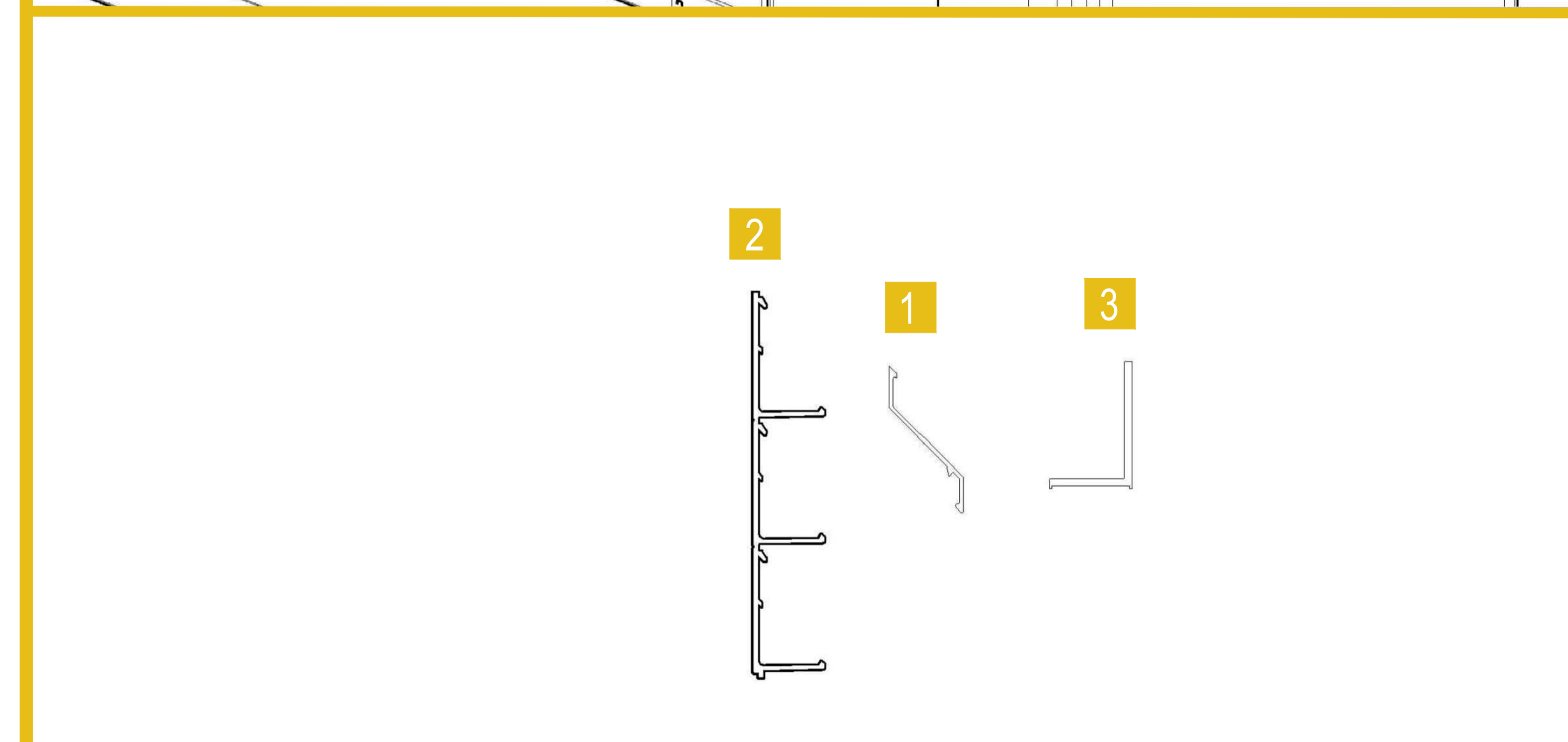
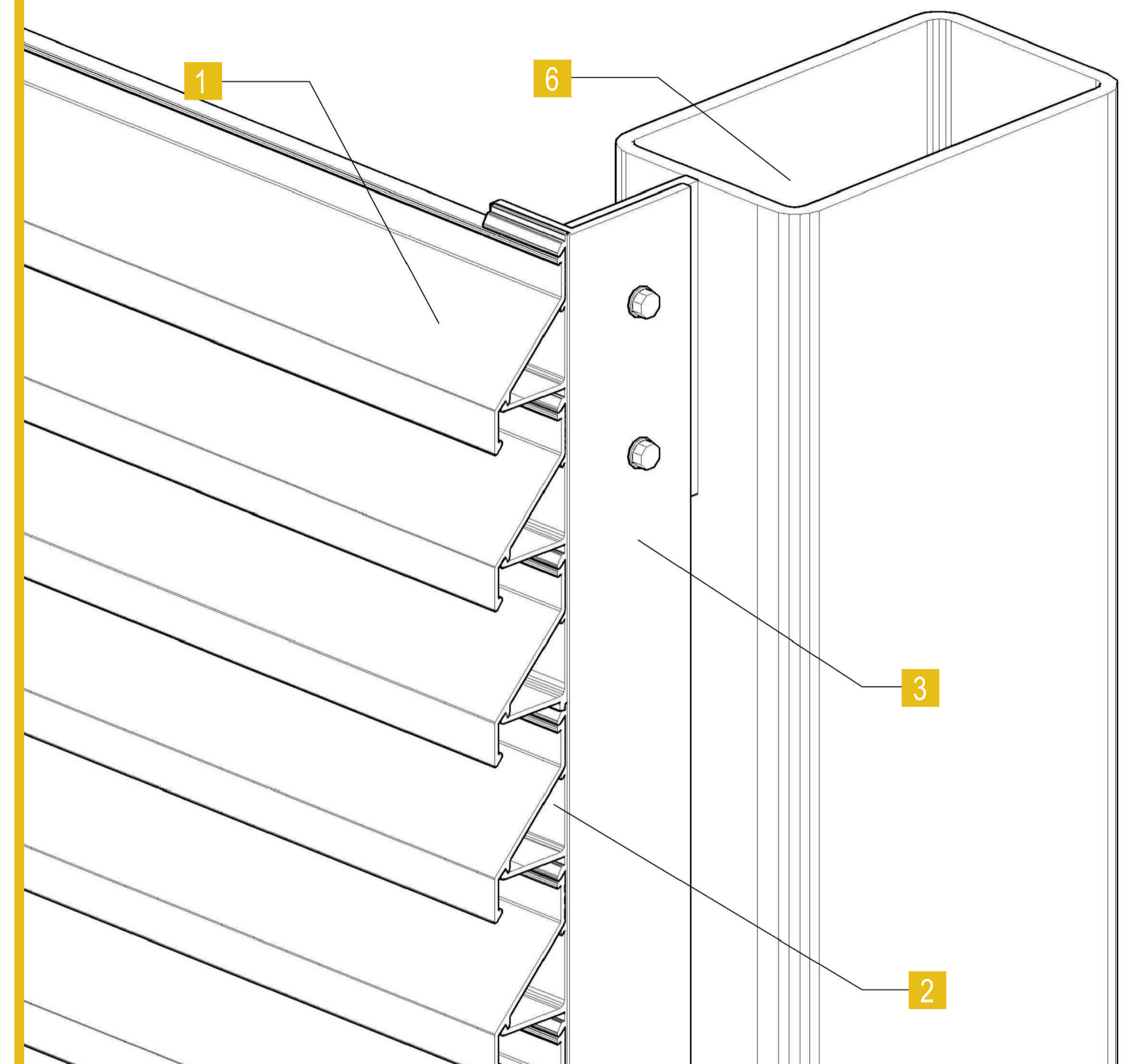
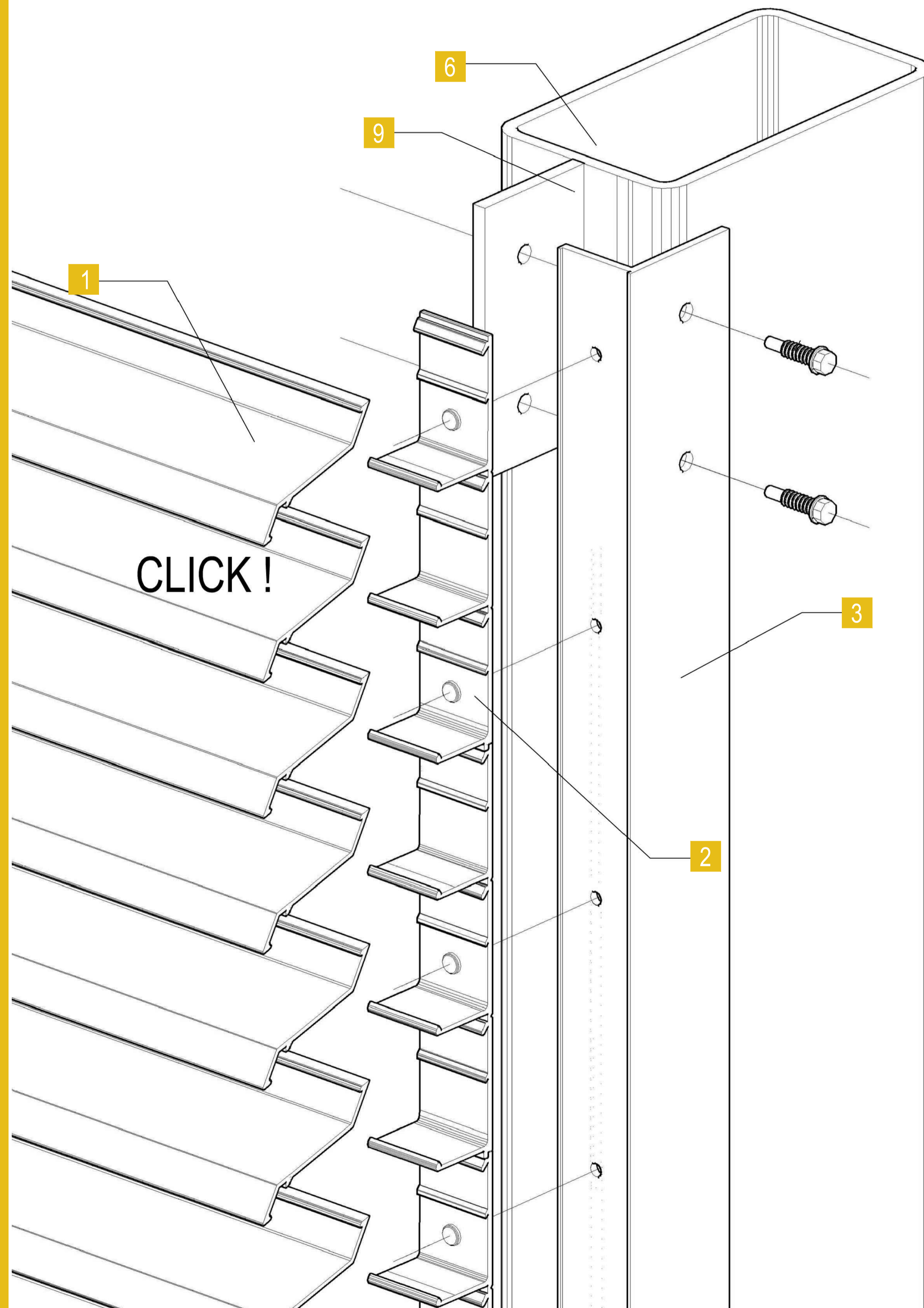
- 1 Aluminum profile Solar - Tech ST 50ZP
- 2 Aluminum profile Solar - Tech ST 50ZPG (GRIP)
- 3 Aluminum profile Solar - Tech ST L50Z
- 4 Load bearing bracket
- 5 Bracket for sliding connections
- 6 Steel post/pole
- 7 Dilatation 1 - 1,5 mm/m
- 8 Spacer
- 9 Welded bracket
- 10 Weld
- 11 Aluminum bracket



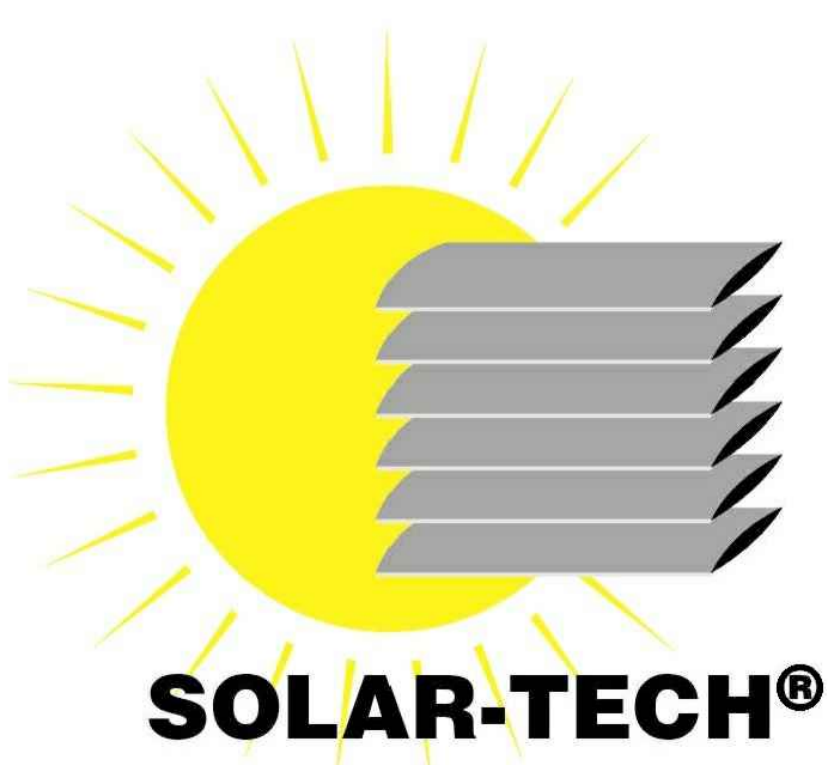
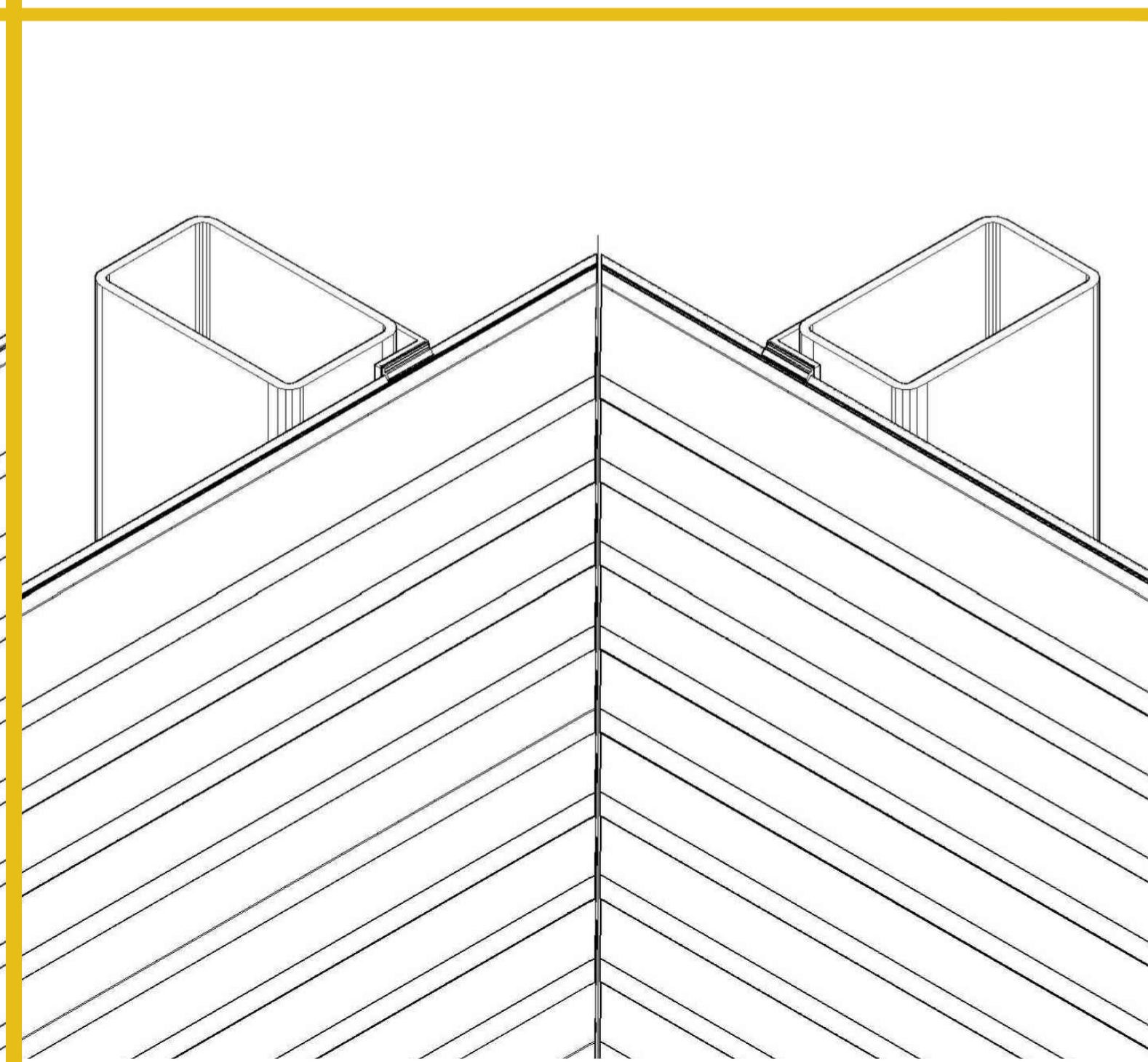
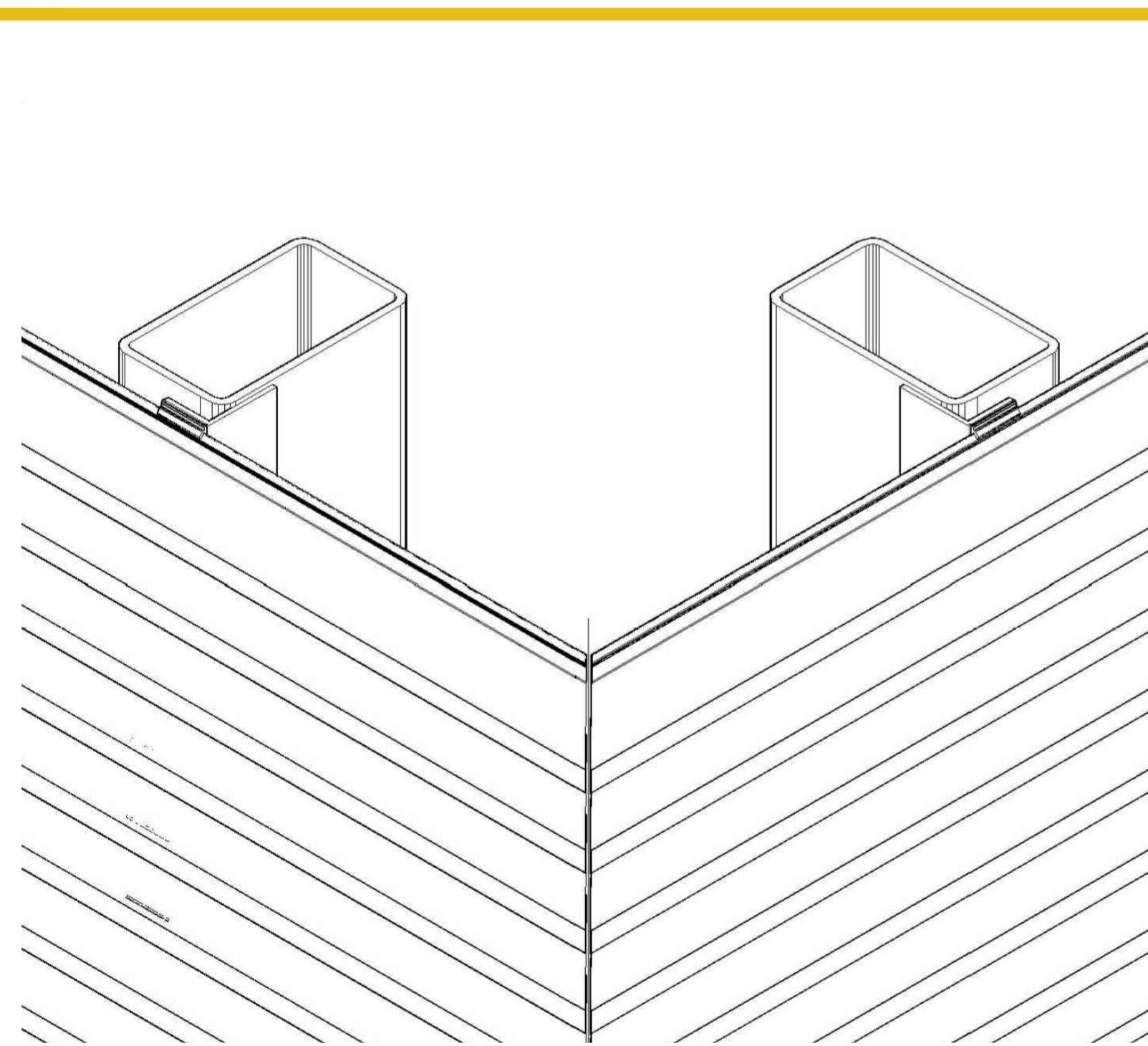
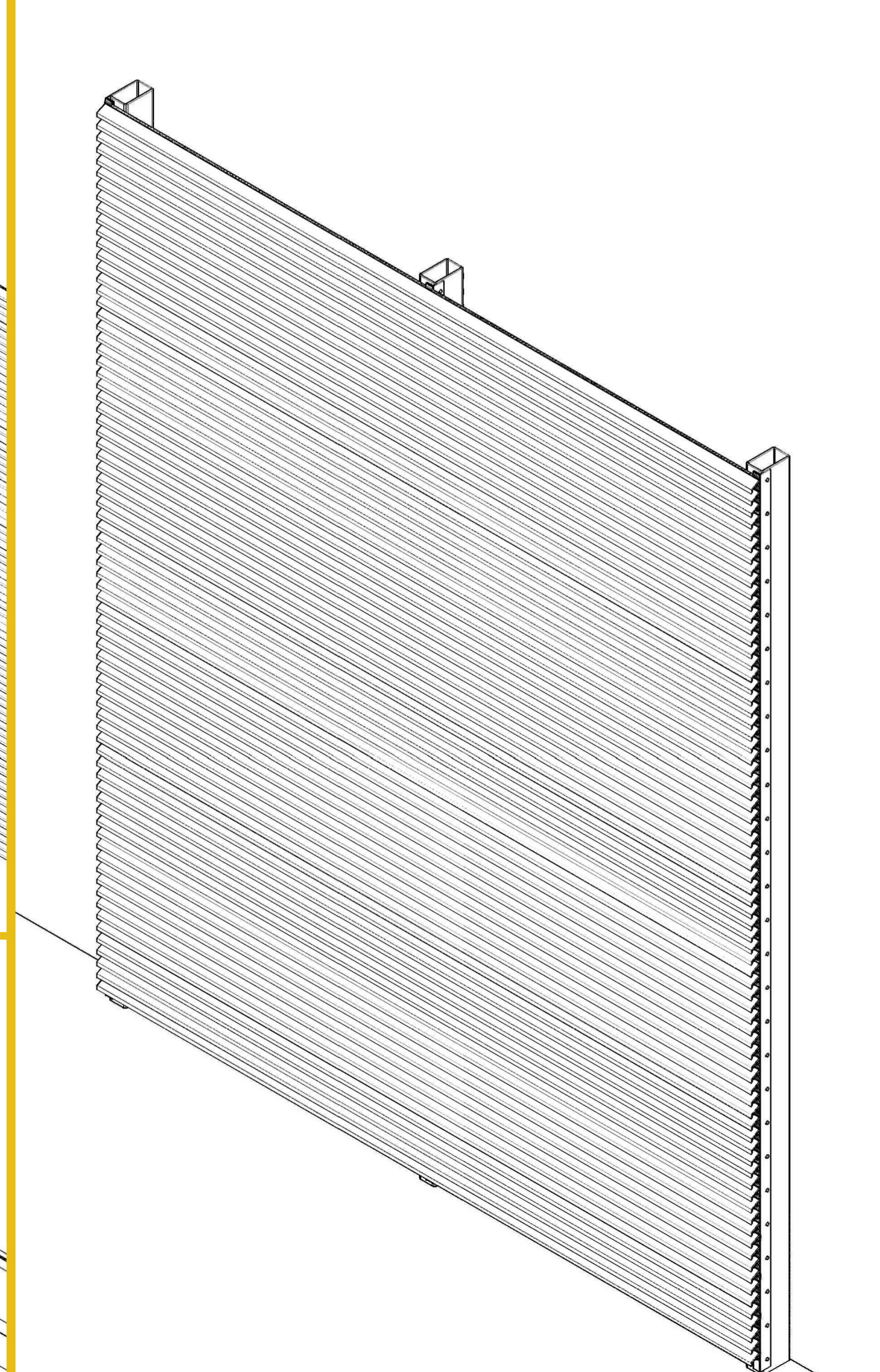
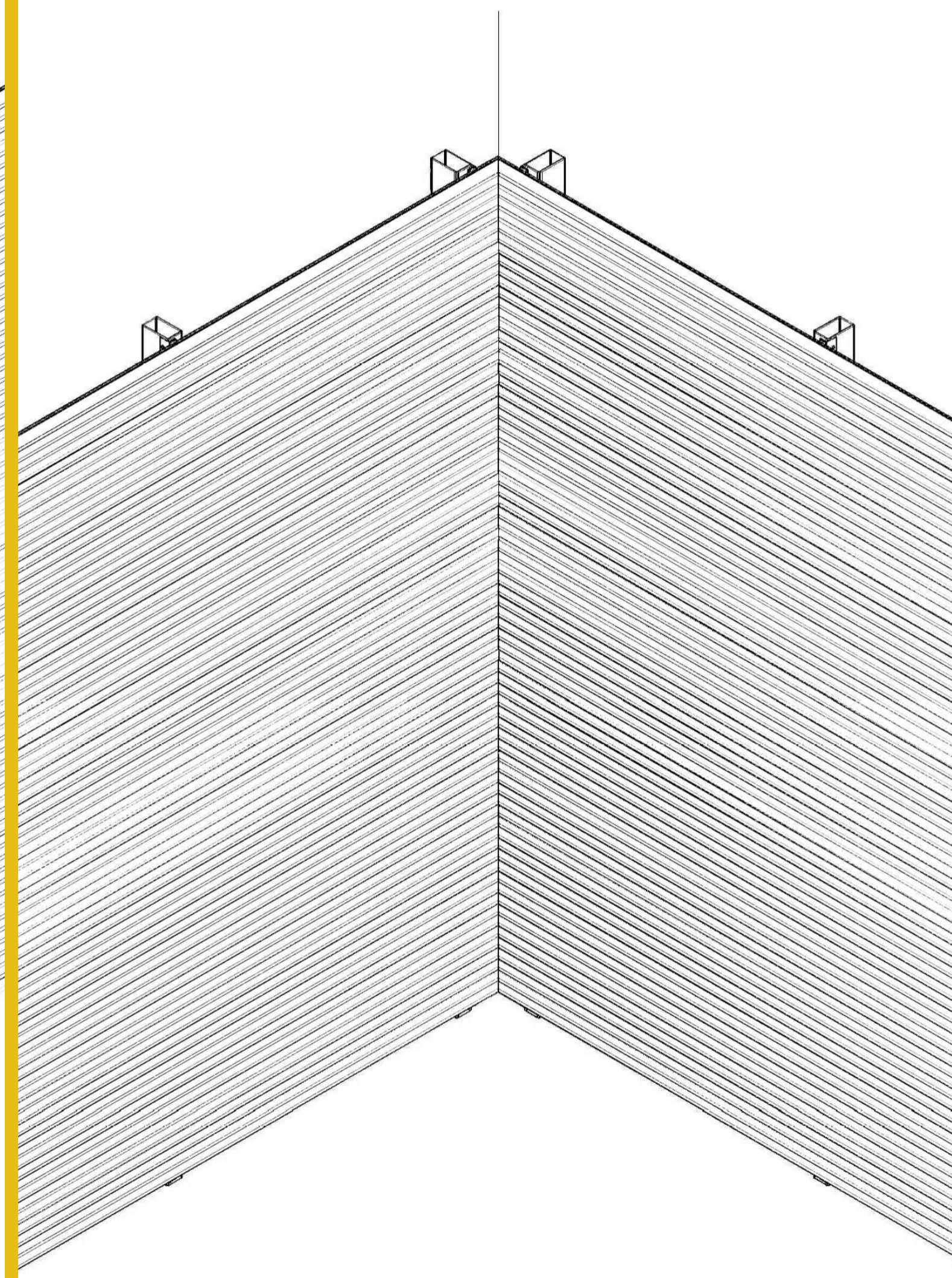
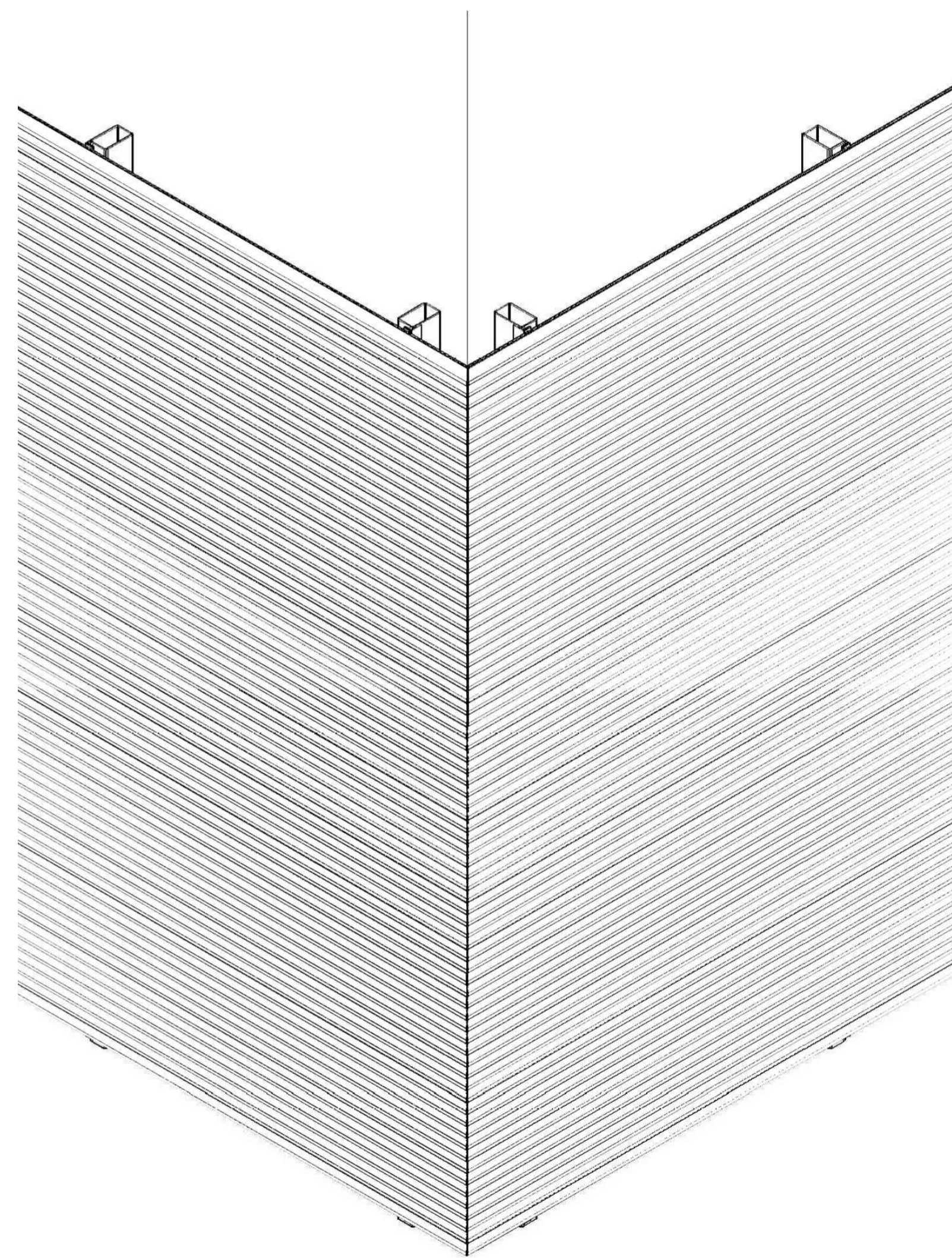
- 1 Aluminum profile Solar - Tech ST 50ZP
- 2 Aluminum profile Solar - Tech ST 50ZPG (GRIP)
- 3 Aluminum profile Solar - Tech ST L50Z
- 4 Load bearing bracket
- 5 Bracket for sliding connections
- 6 Steel post/pole
- 7 Dilatation 1 - 1,5 mm/m
- 8 Spacer
- 9 Welded bracket
- 10 Weld
- 11 Aluminum bracket



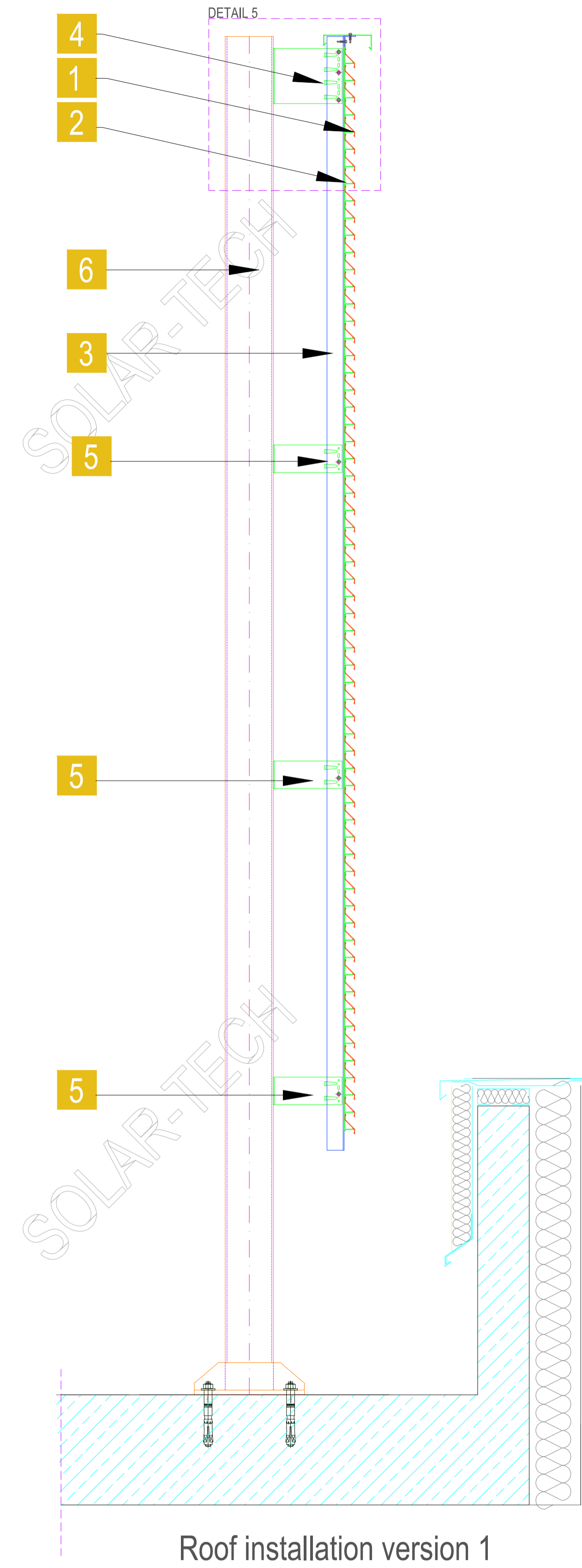
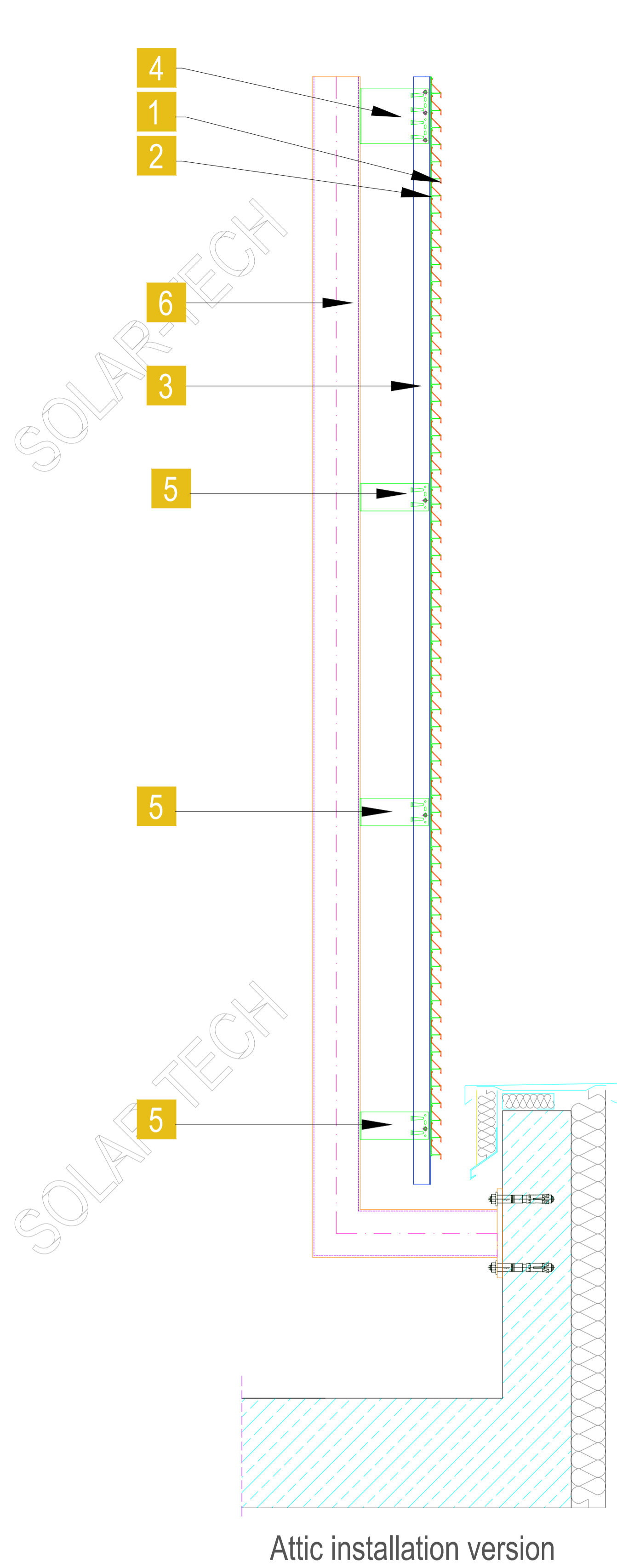
- 1 Aluminum profile Solar - Tech ST 50ZP
- 2 Aluminum profile Solar - Tech ST 50ZPG (GRIP)
- 3 Aluminum profile Solar - Tech ST L50Z
- 4 Load bearing bracket
- 5 Bracket for sliding connections
- 6 Steel post/pole
- 7 Dilatation 1 - 1,5 mm/m
- 8 Spacer
- 9 Welded bracket
- 10 Weld
- 11 Aluminum bracket



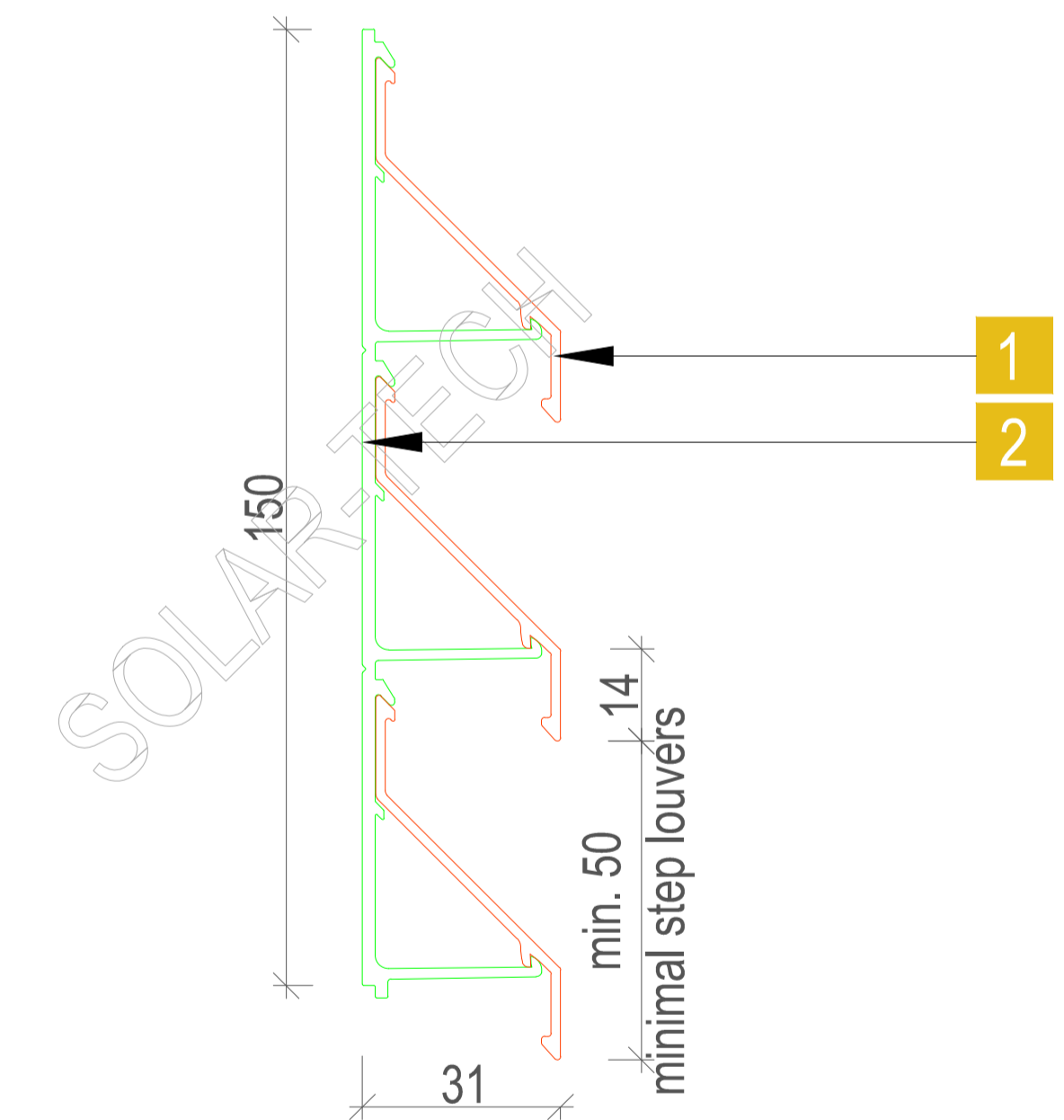
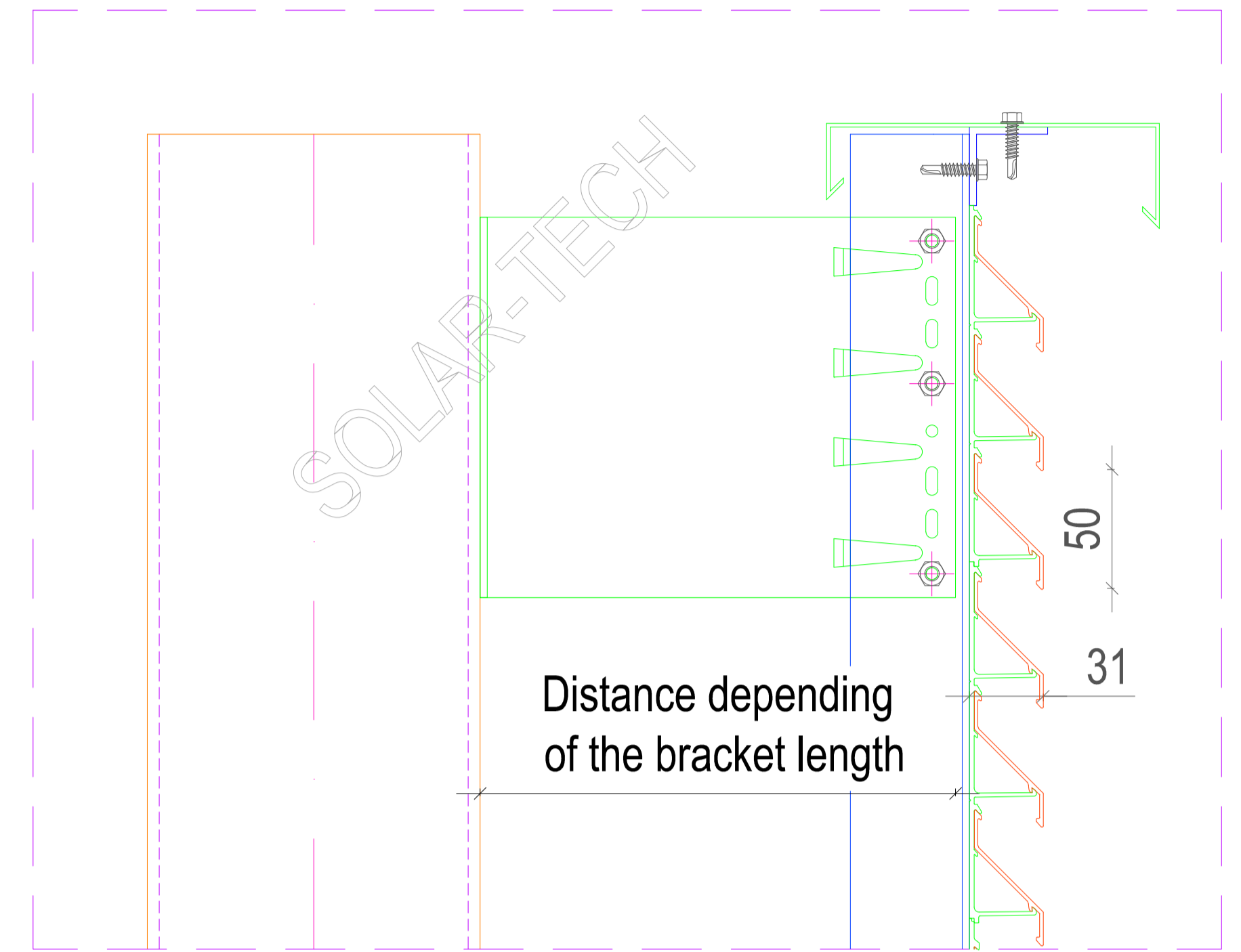
- 1 Aluminum profile Solar - Tech ST 50ZP
- 2 Aluminum profile Solar - Tech ST 50ZPG (GRIP)
- 3 Aluminum profile Solar - Tech ST L50Z
- 4 Load bearing bracket
- 5 Bracket for sliding connections
- 6 Steel post/pole
- 7 Dilatation 1 - 1,5 mm/m
- 8 Spacer
- 9 Welded bracket
- 10 Weld
- 11 Aluminum bracket



- 1 Aluminum profile Solar - Tech ST 50ZP
- 2 Aluminum profile Solar - Tech ST 50 ZPG(GRIP)
- 3 Aluminum profile Solar - Tech ST L50Z
- 4 Load bearing bracket
- 5 Bracket for sliding connections
- 6 Steel post/pole
- 7 Dilatation 1 - 1,5 mm/m
- 8 Spacer
- 9 Welded bracket
- 10 Weld
- 11 Aluminum bracket

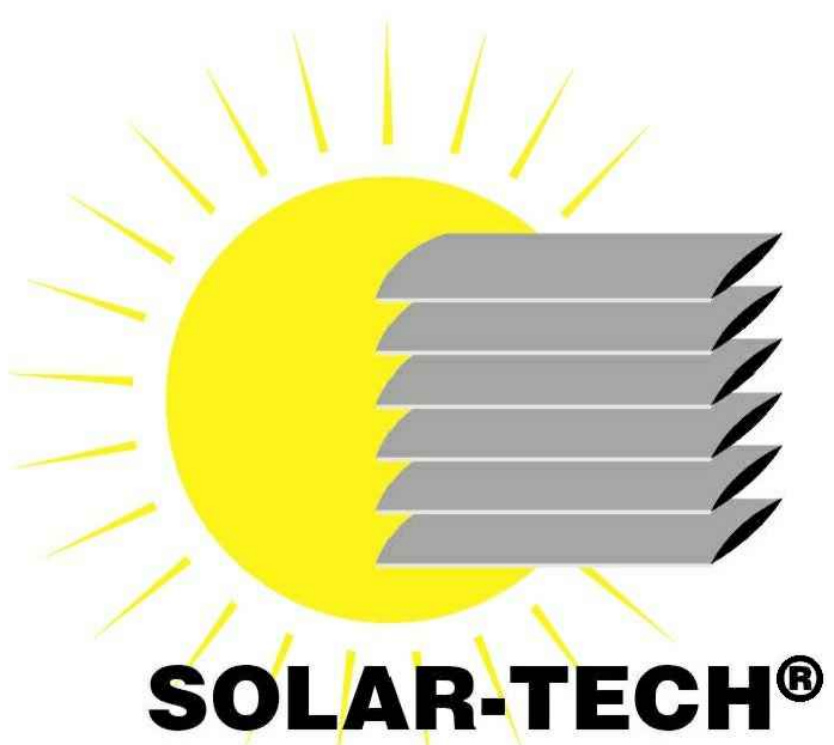


DETAIL 5.
Top covering

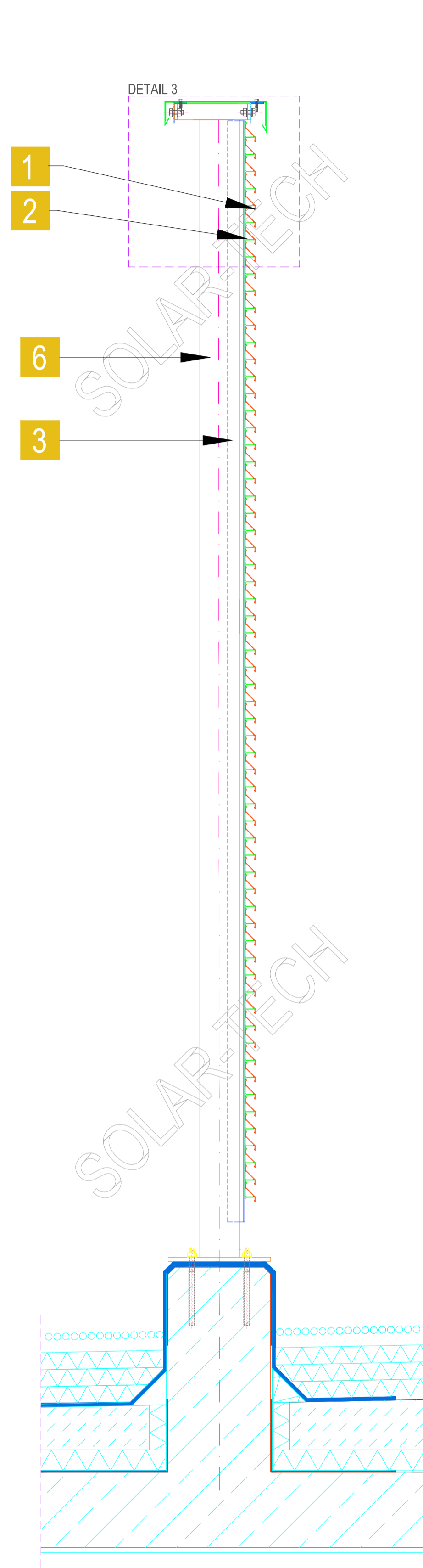


CAUTION!

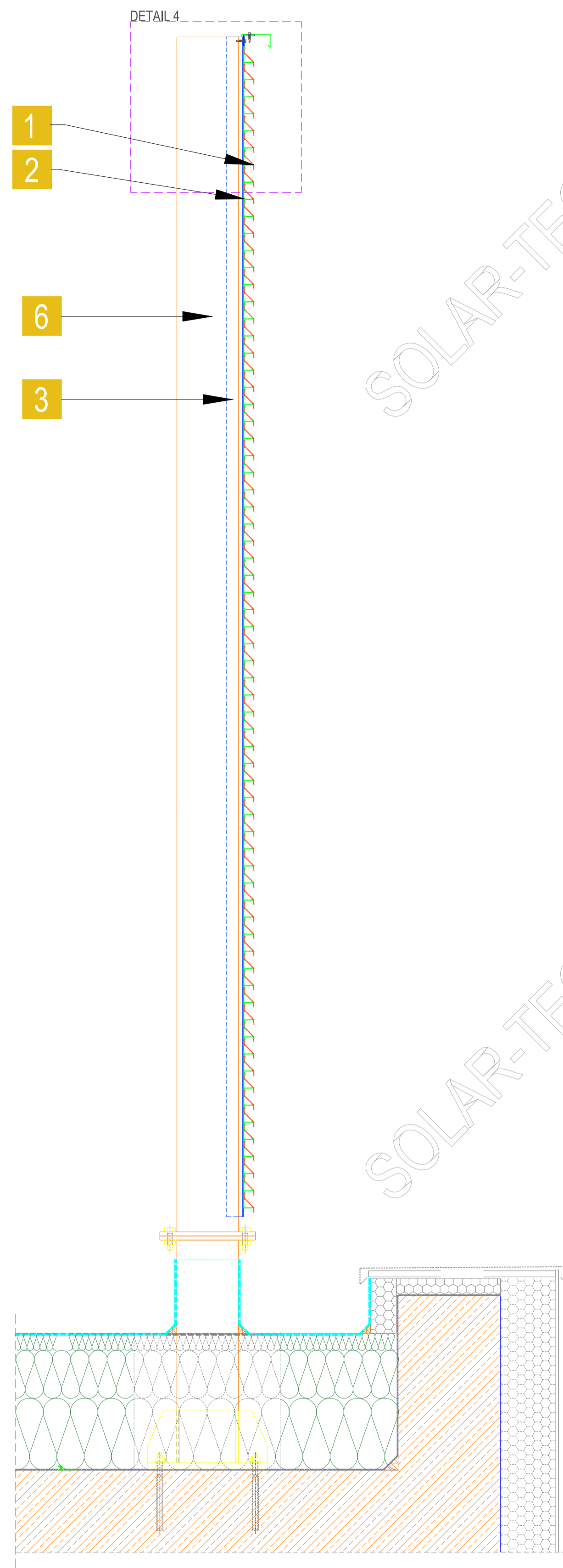
Presented solutions are only a sample. In any doubts, please contact the Solar - Tech company. Pole and beams shape and sizes according to the technical calculation.



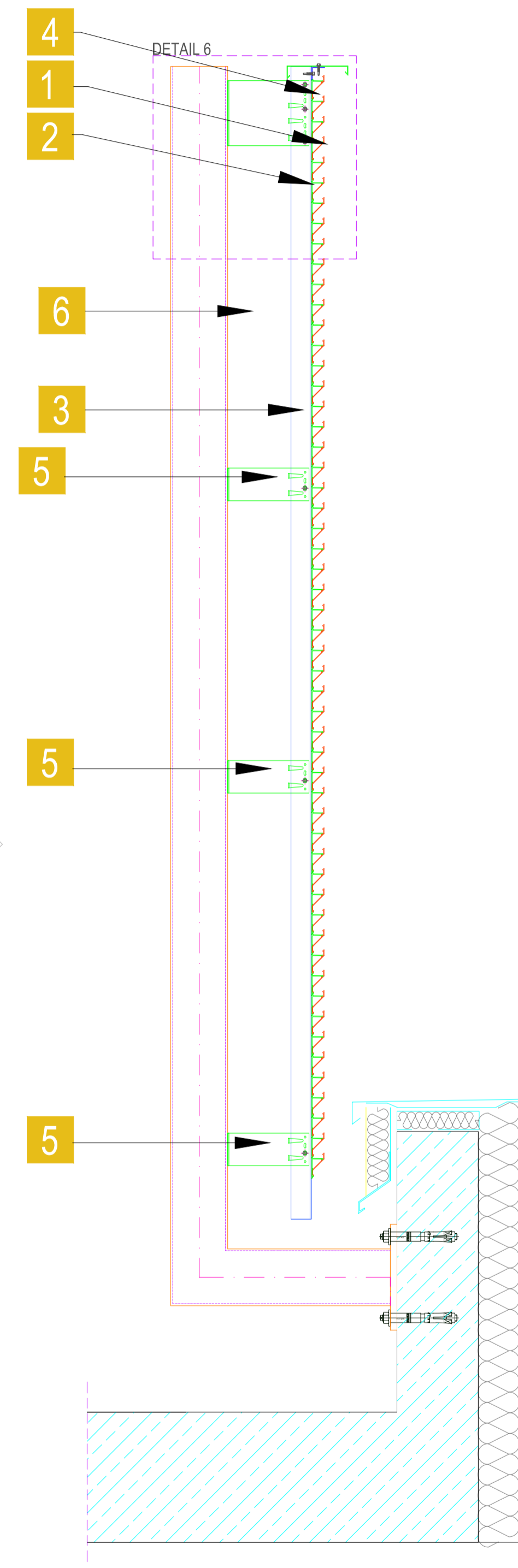
- 1 Aluminum profile Solar - Tech ST 50ZP
- 2 Aluminum profile Solar - Tech ST50 ZPG(GRIP)
- 3 Aluminum profile Solar - Tech ST L50Z
- 4 Load bearing bracket
- 5 Bracket for sliding connections
- 6 Steel post/pole
- 7 Dilatation 1 - 1,5 mm/m
- 8 Spacer
- 9 Welded bracket
- 10 Weld
- 11 Aluminum bracket



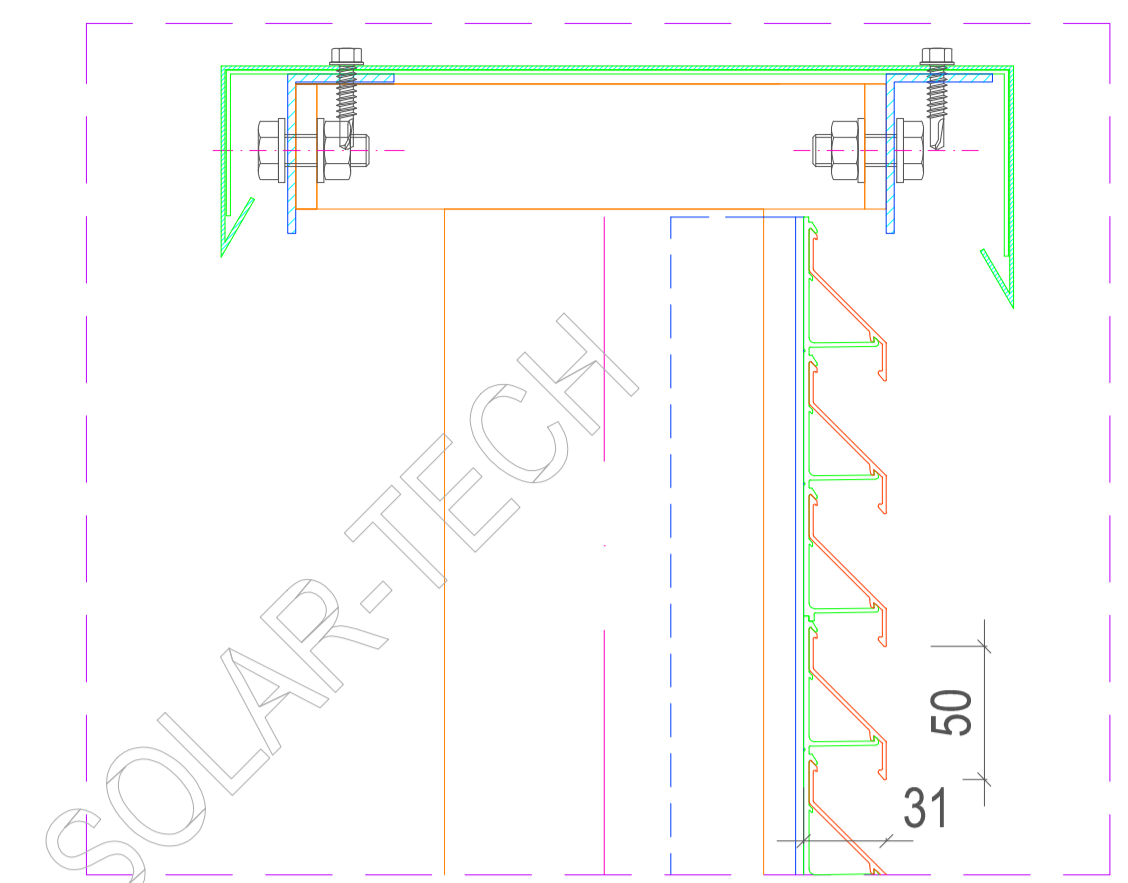
Roof installation version 2



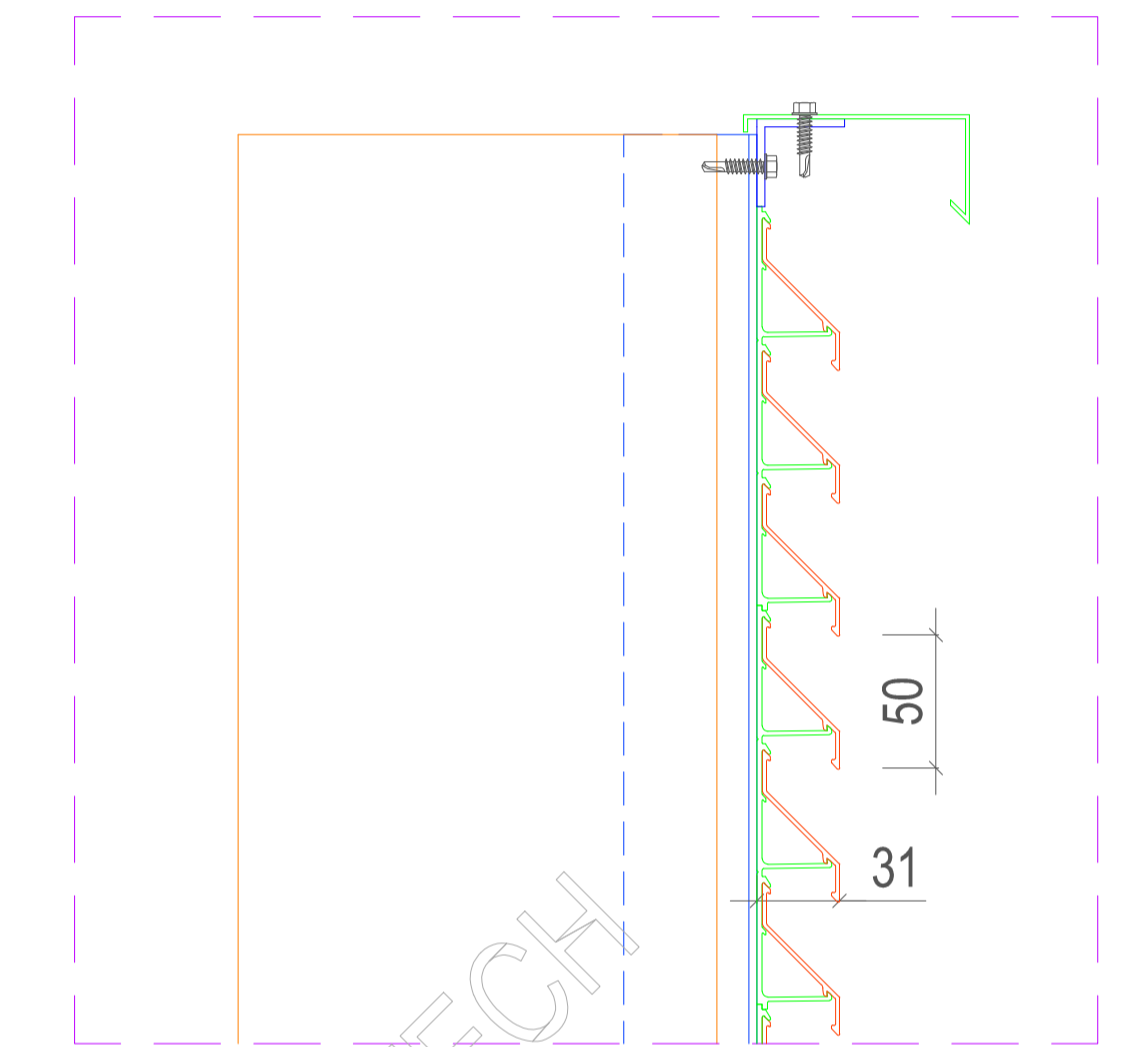
Roof installation version 3
Steel construction divided.



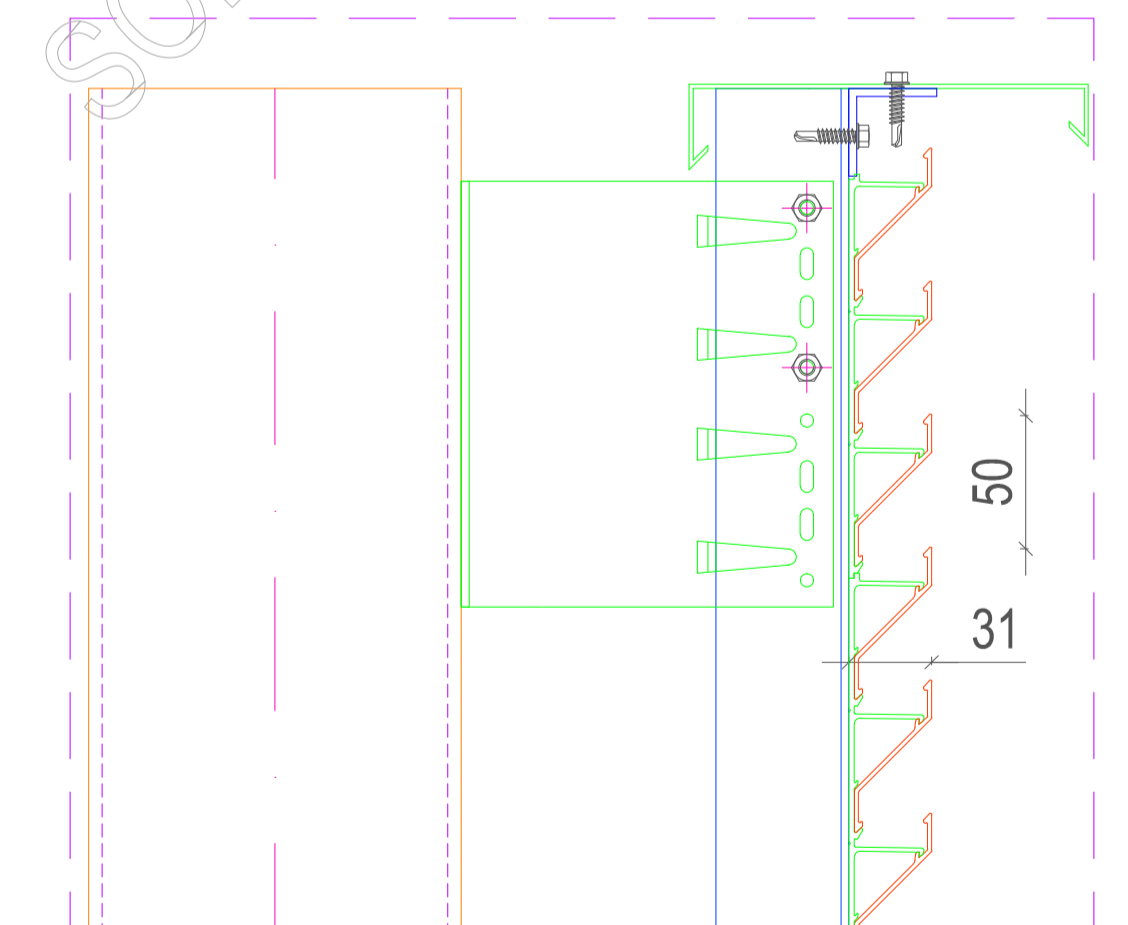
Attic installation version



DETAIL 3.
Covering ver. 1



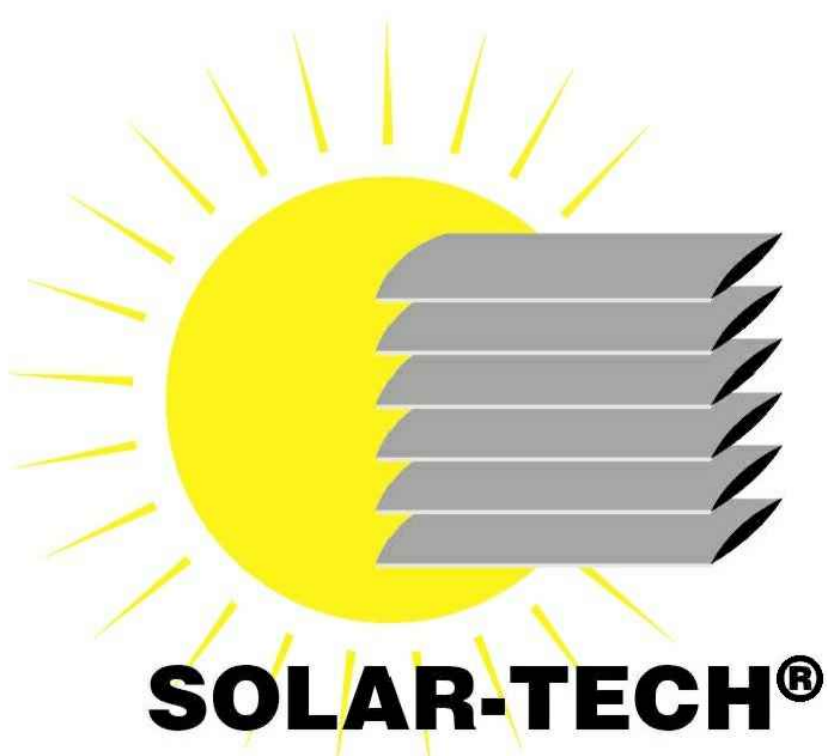
DETAIL 4.
Covering ver. 2

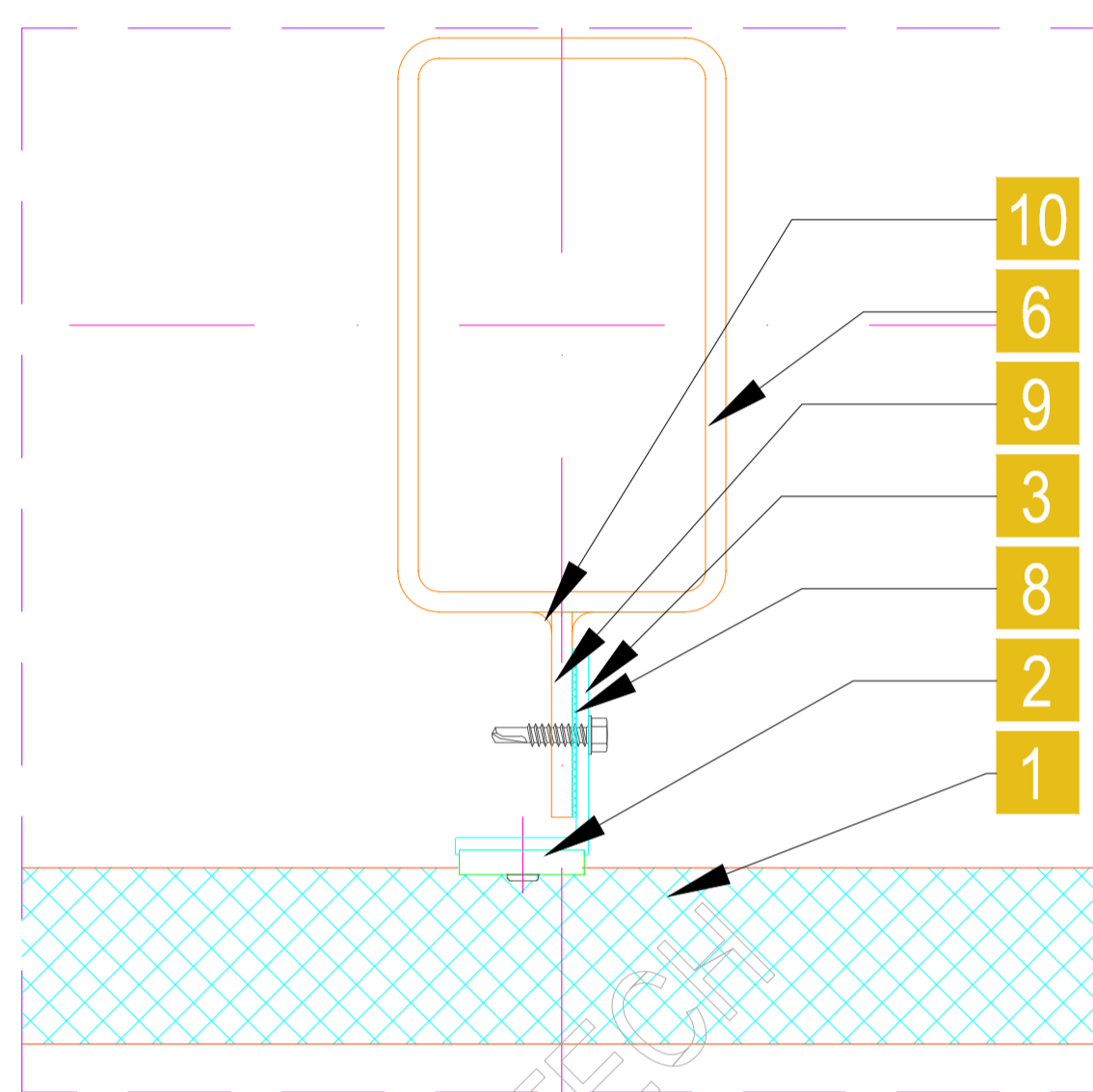
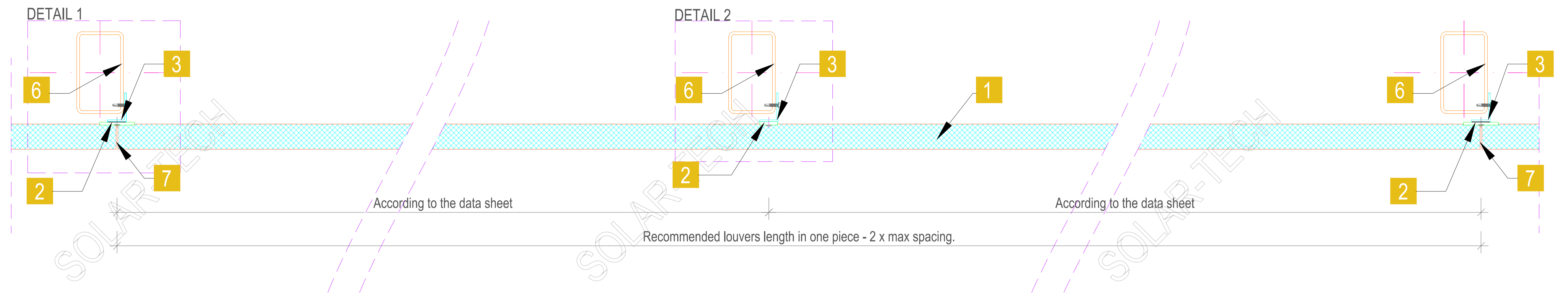


DETAIL 6.
Covering ver. 3
and installation "upside down".

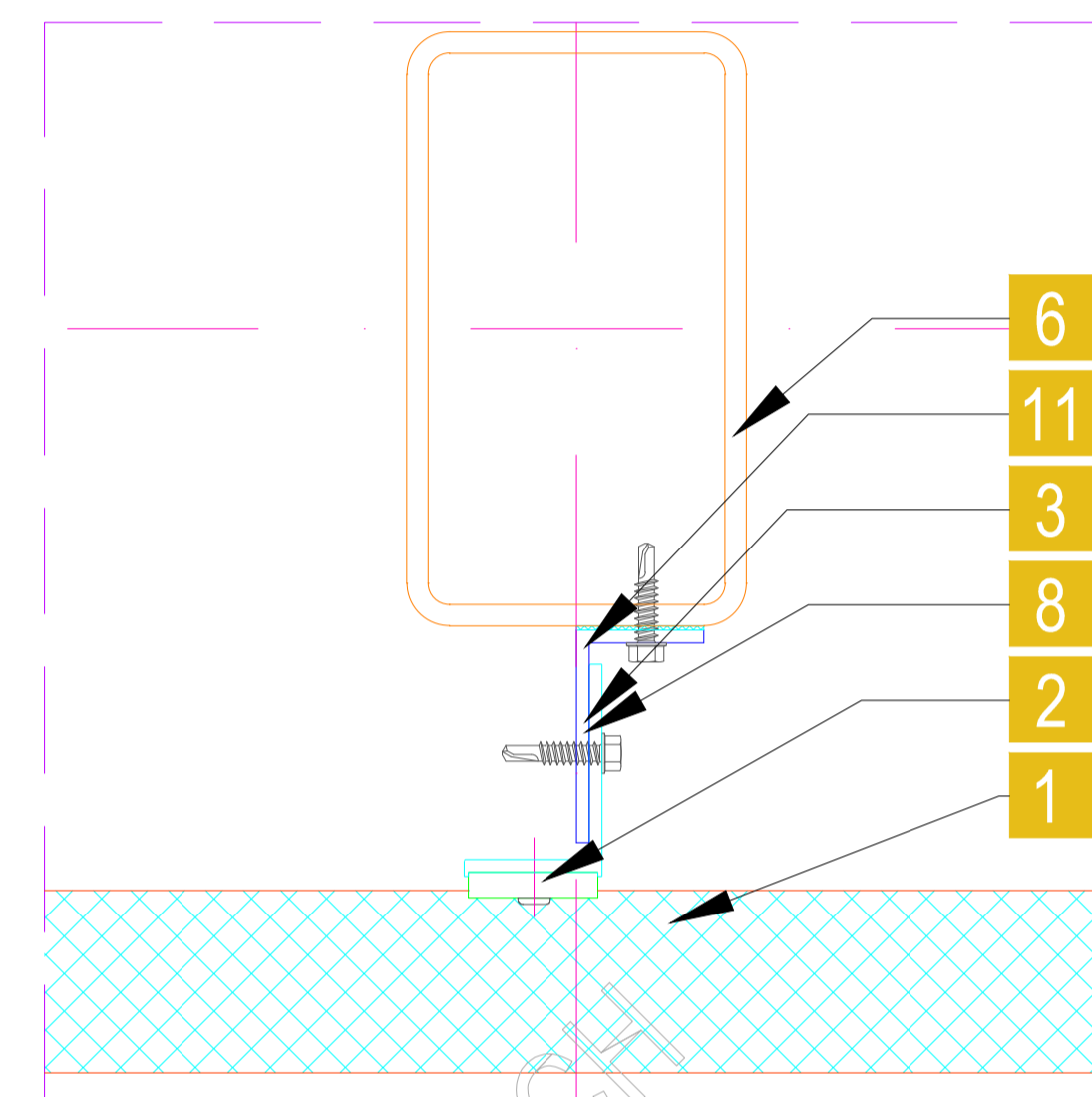
CAUTION!

Presented solutions are only a sample. In any doubts, please contact the Solar - Tech company. Pole and beams shape and sizes according to the technical calculation.

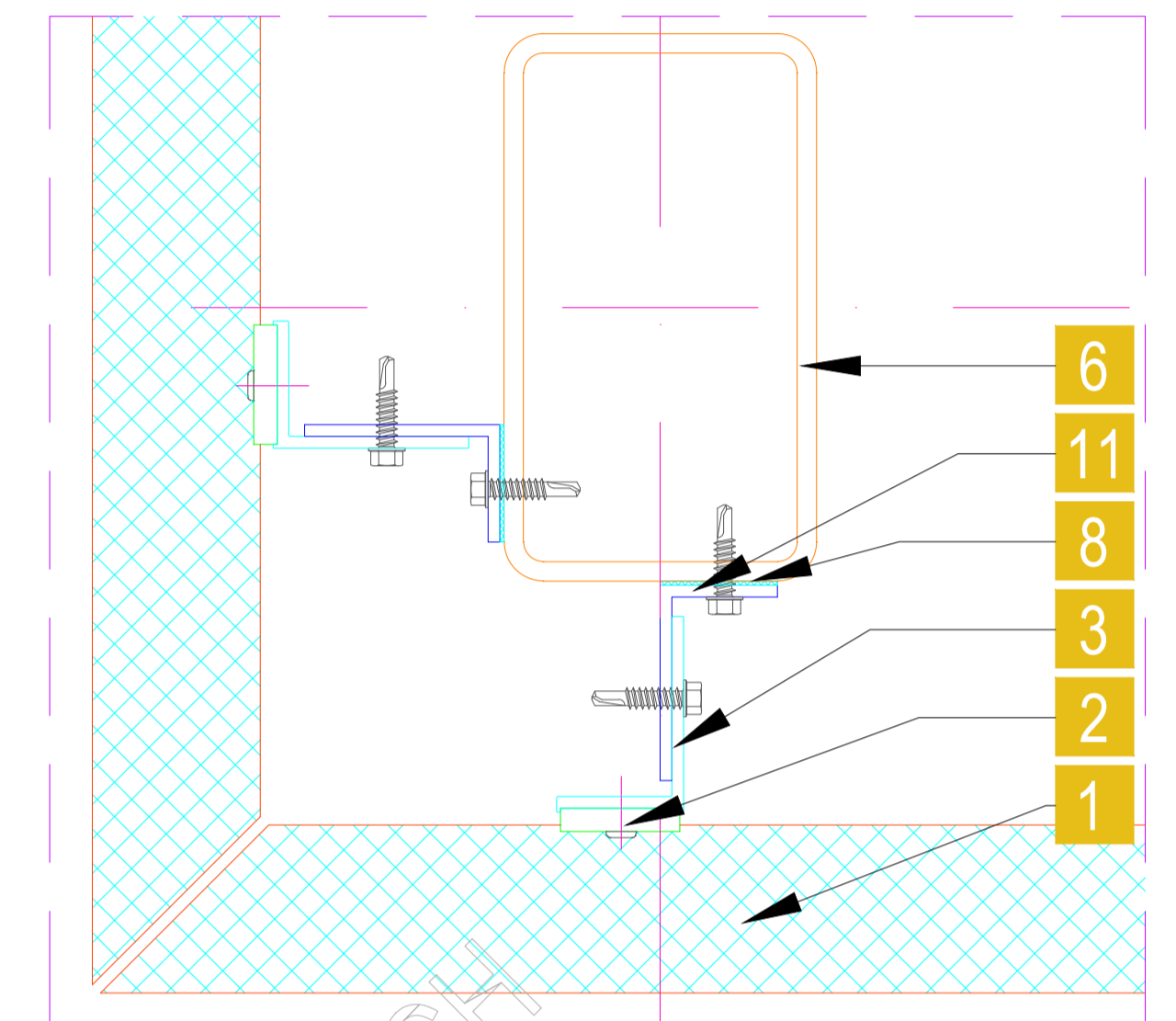




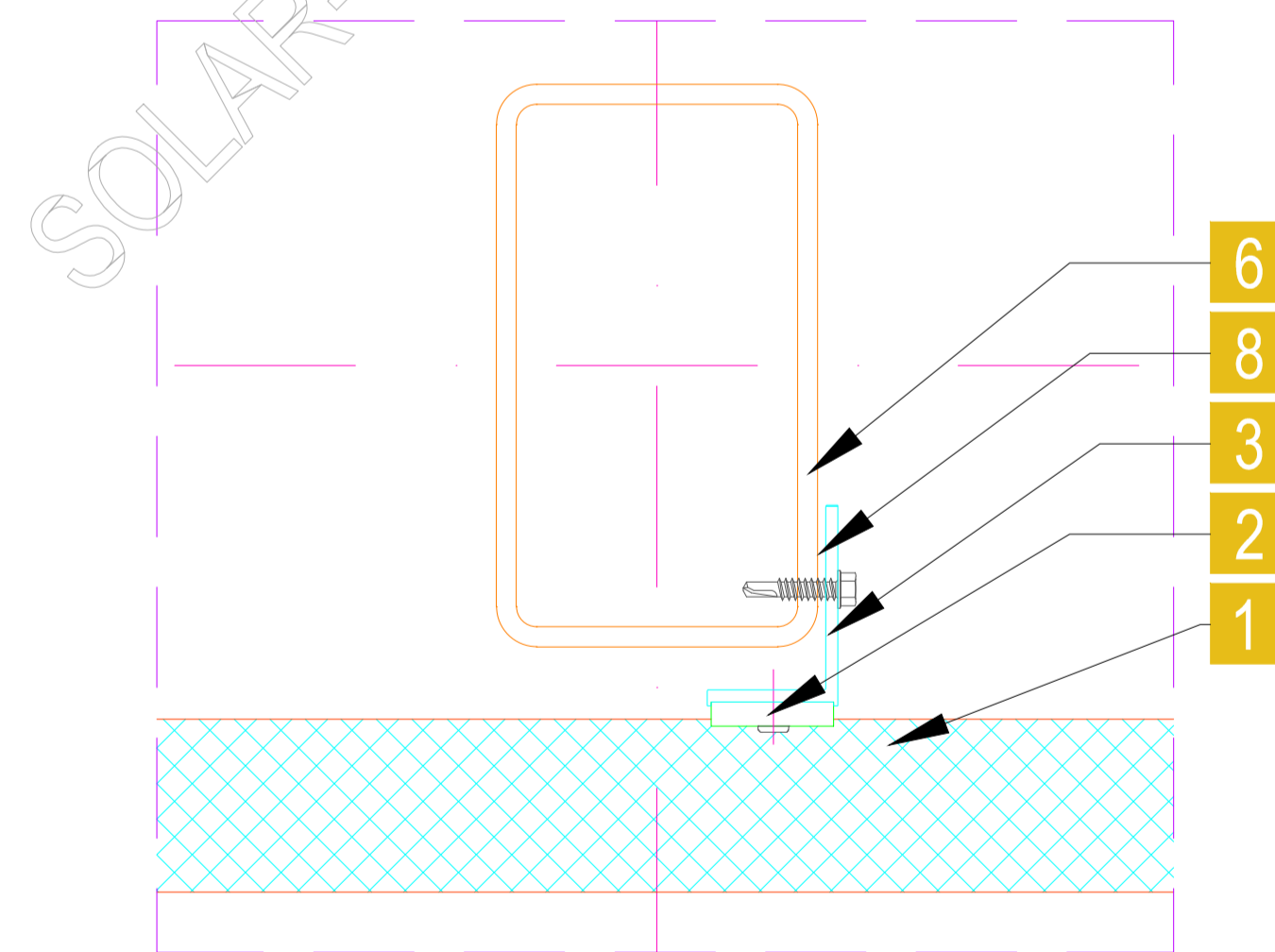
DETAIL 2 Option 1.
Welded bracket.



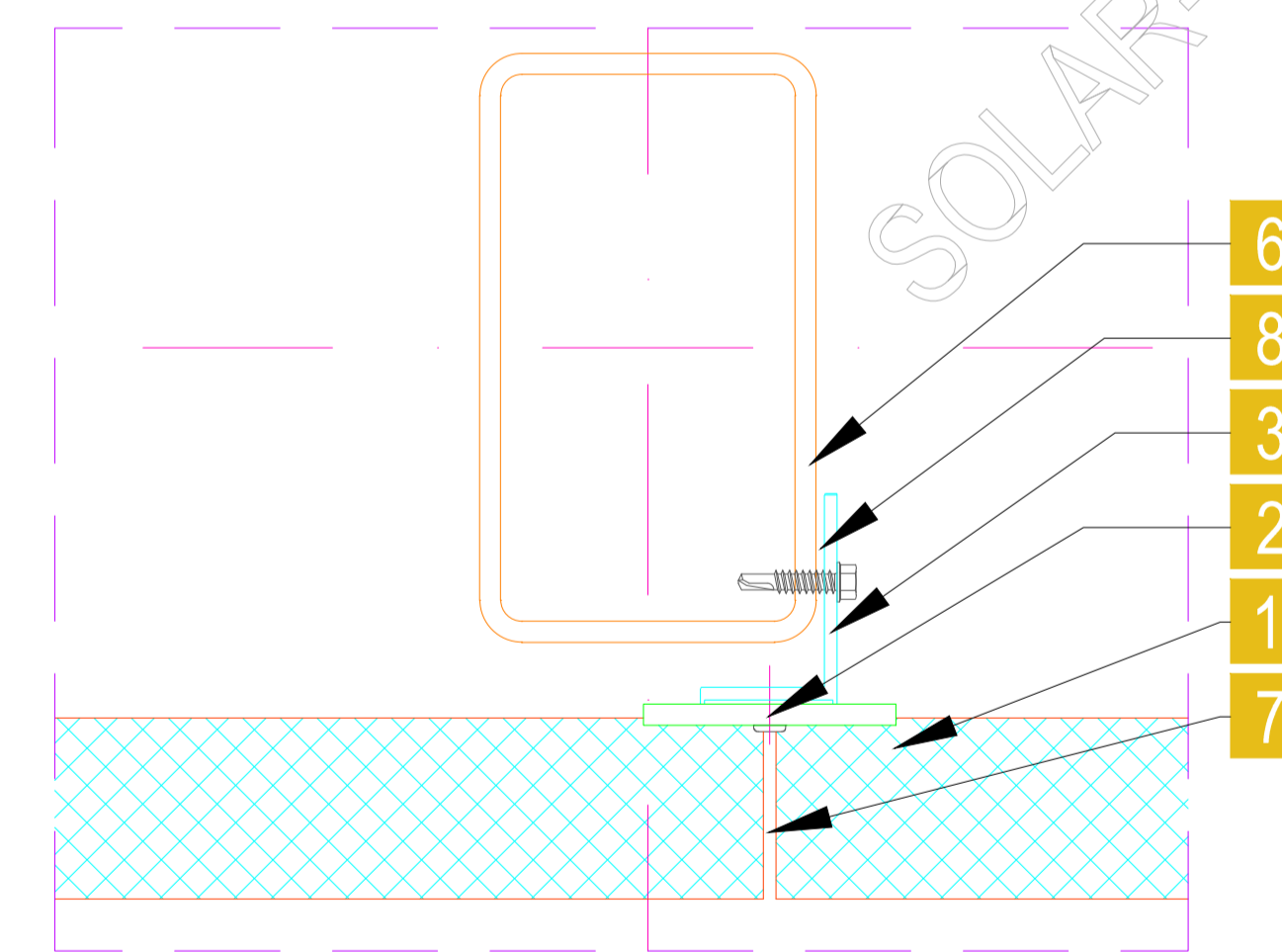
DETAIL 2 Option 2.
L shaped aluminum
bracket.



Corner



DETAIL 2 Option 3.
Side connection.



DETAIL 1.
Side connection with
dilatation.

CAUTION!

Presented solutions are only a sample. In any doubts, please contact the Solar - Tech company. Pole and beams shape and sizes according to the technical calculation.

