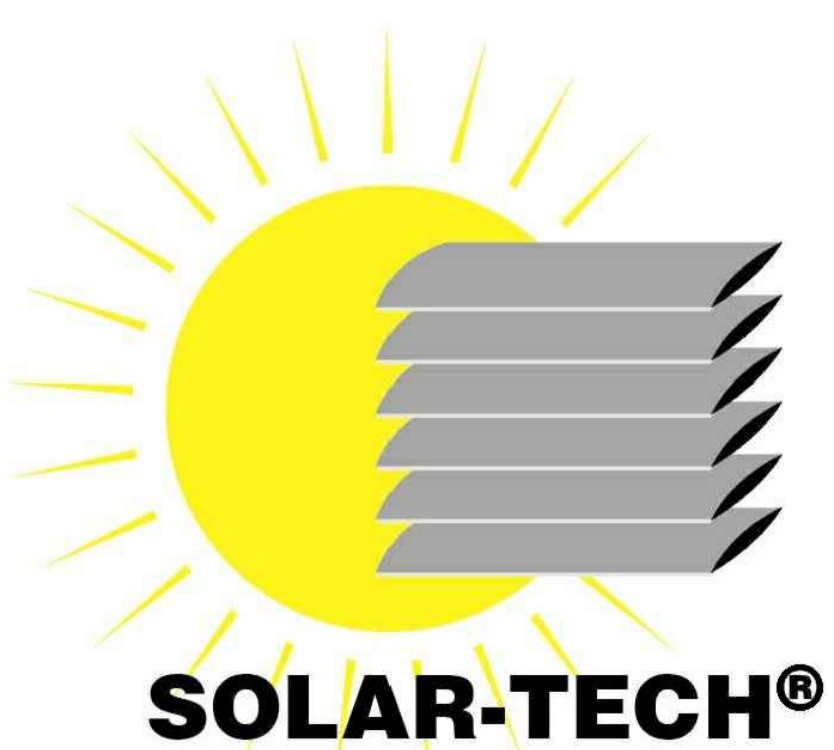
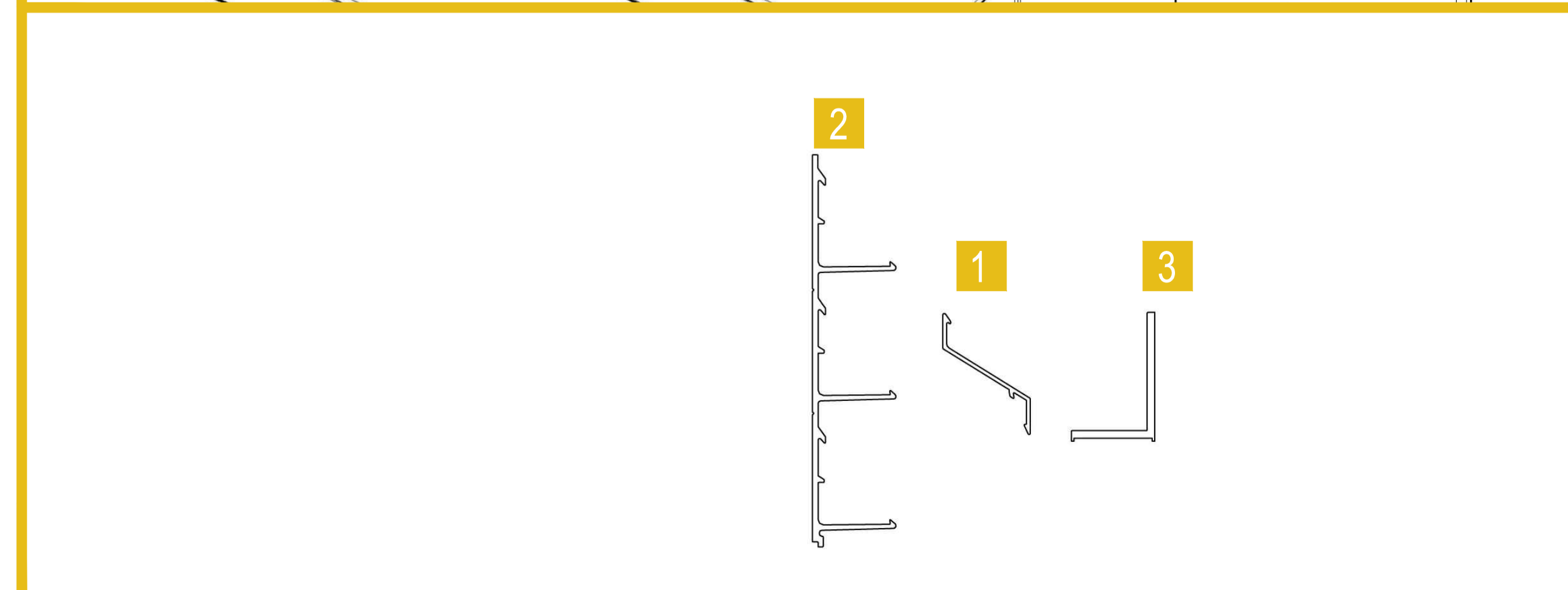
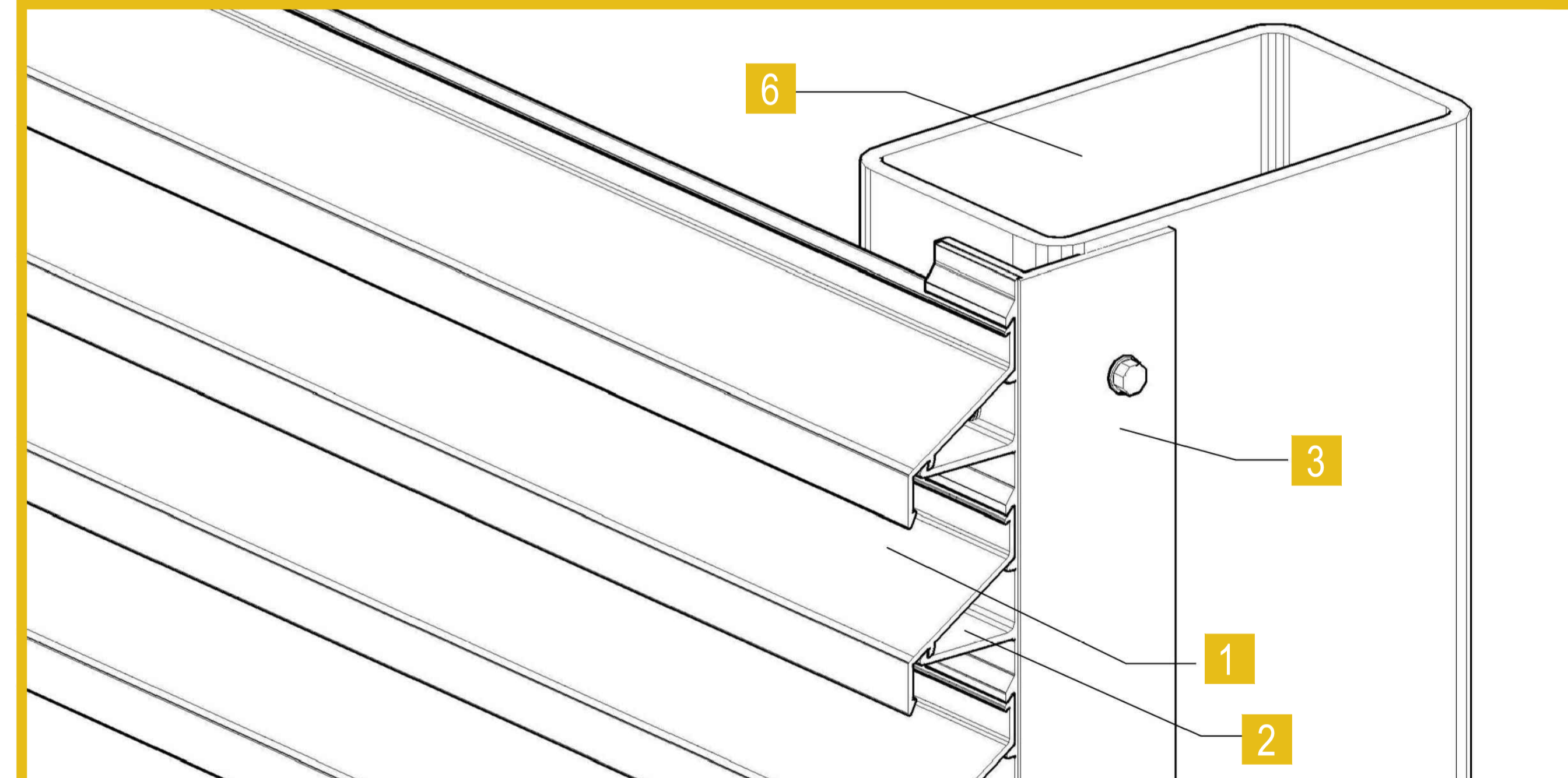
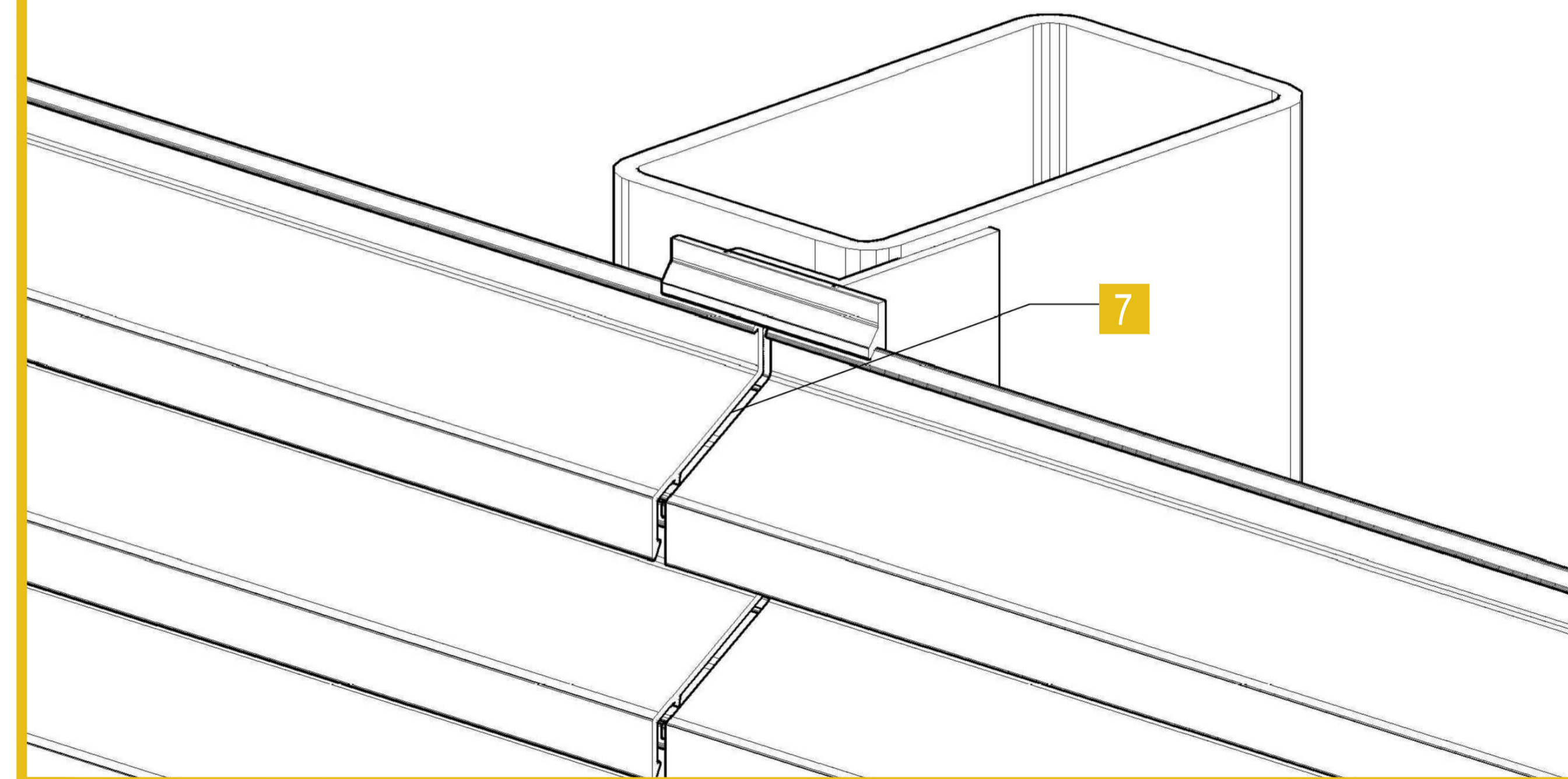
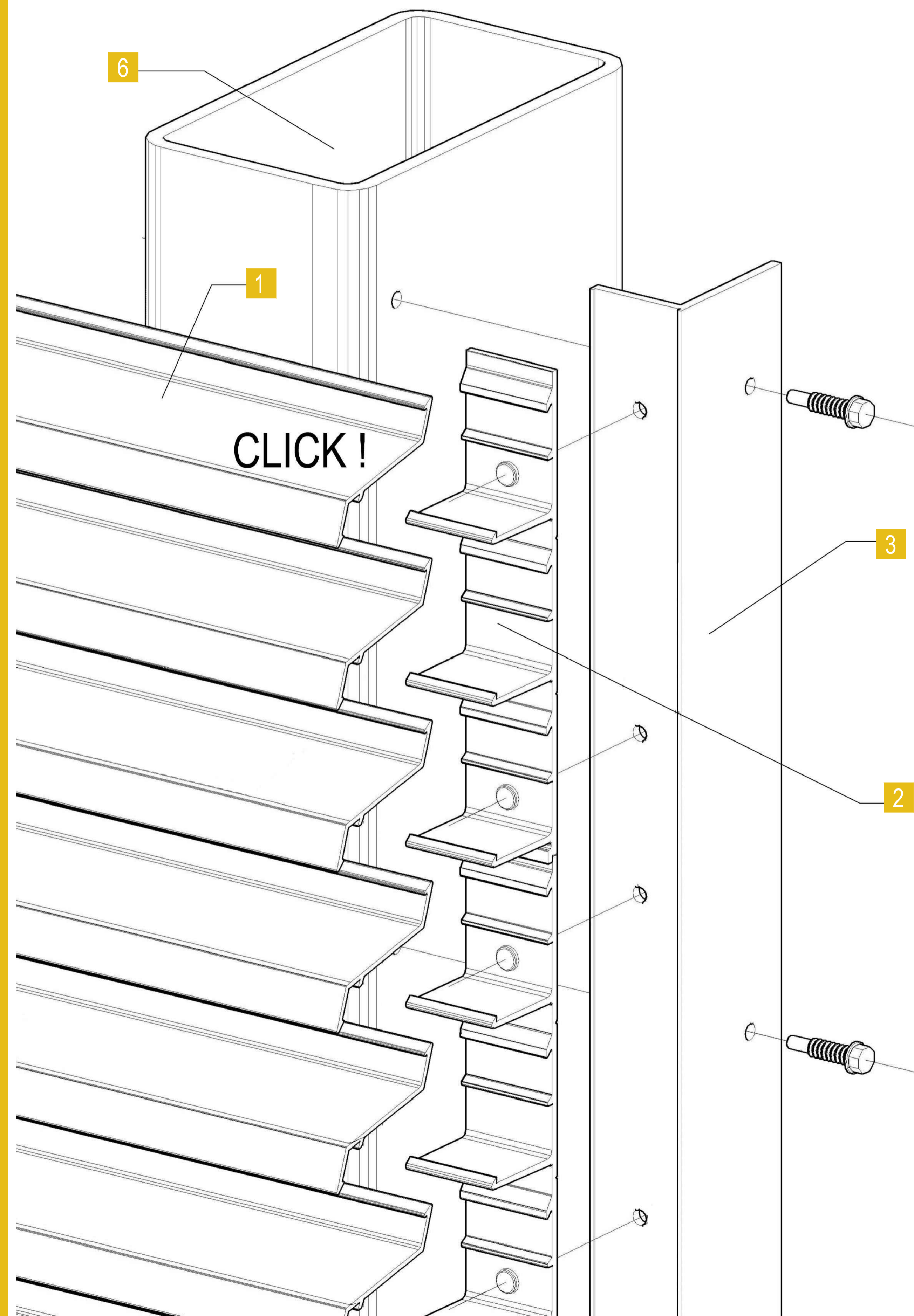
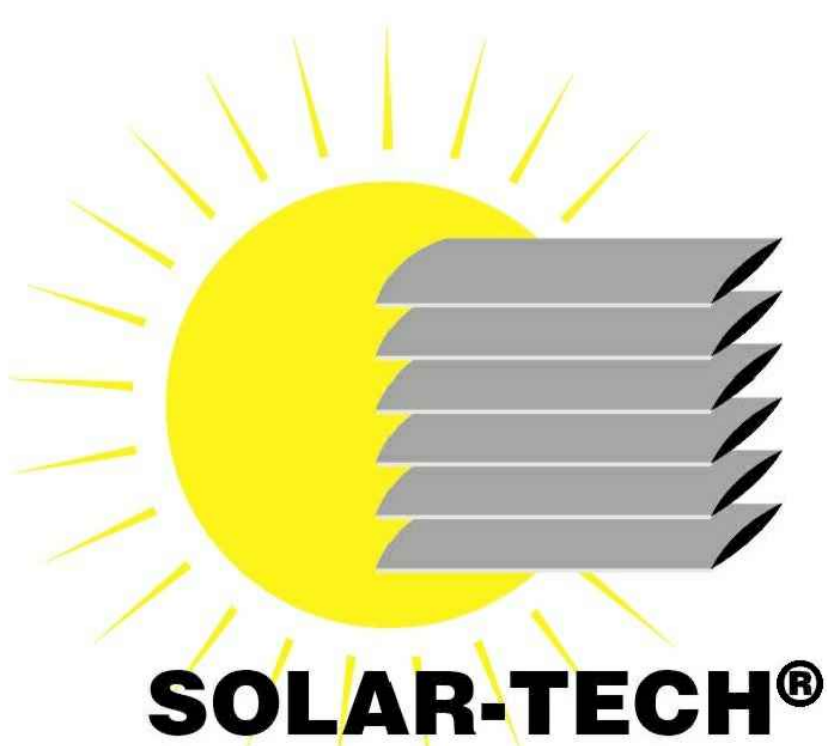
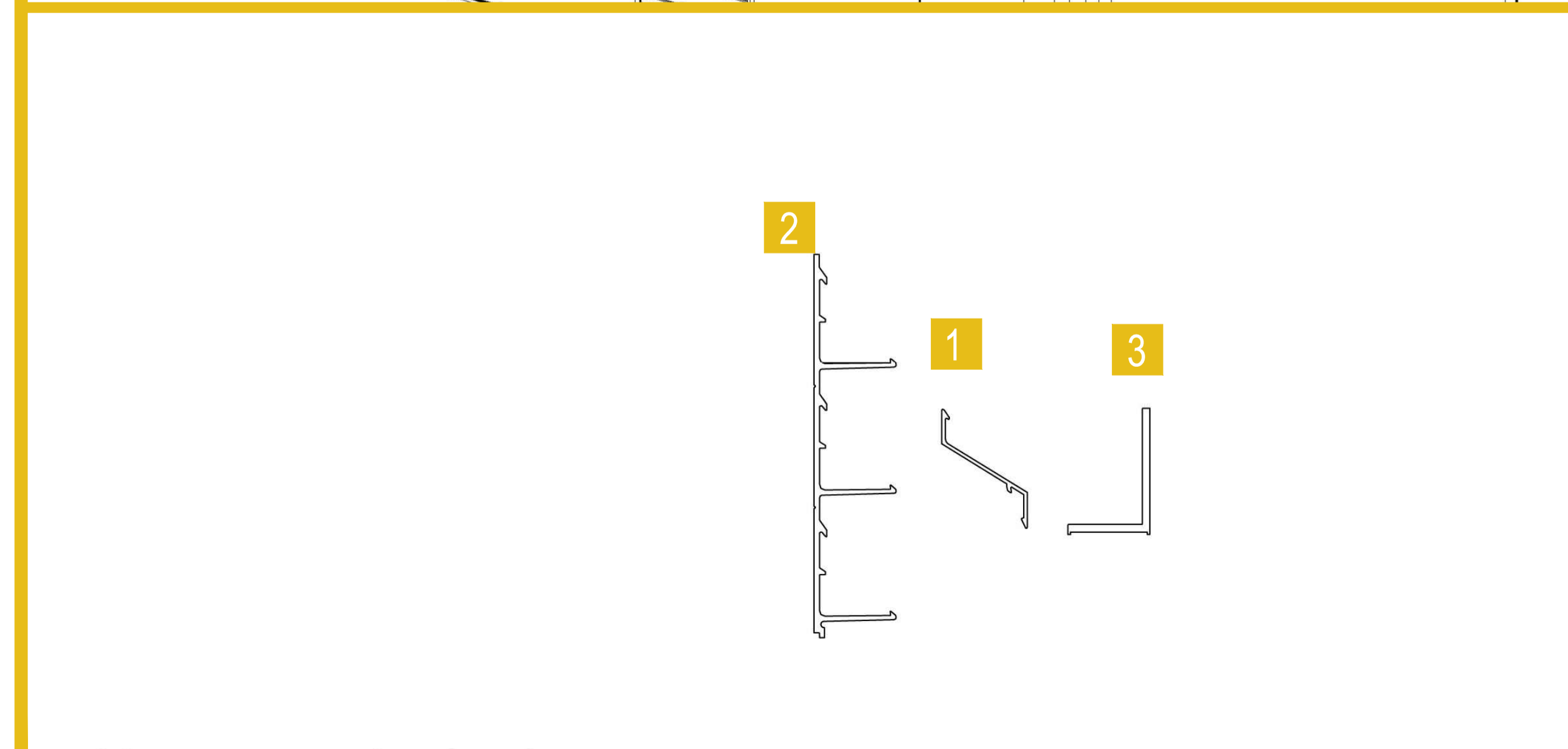
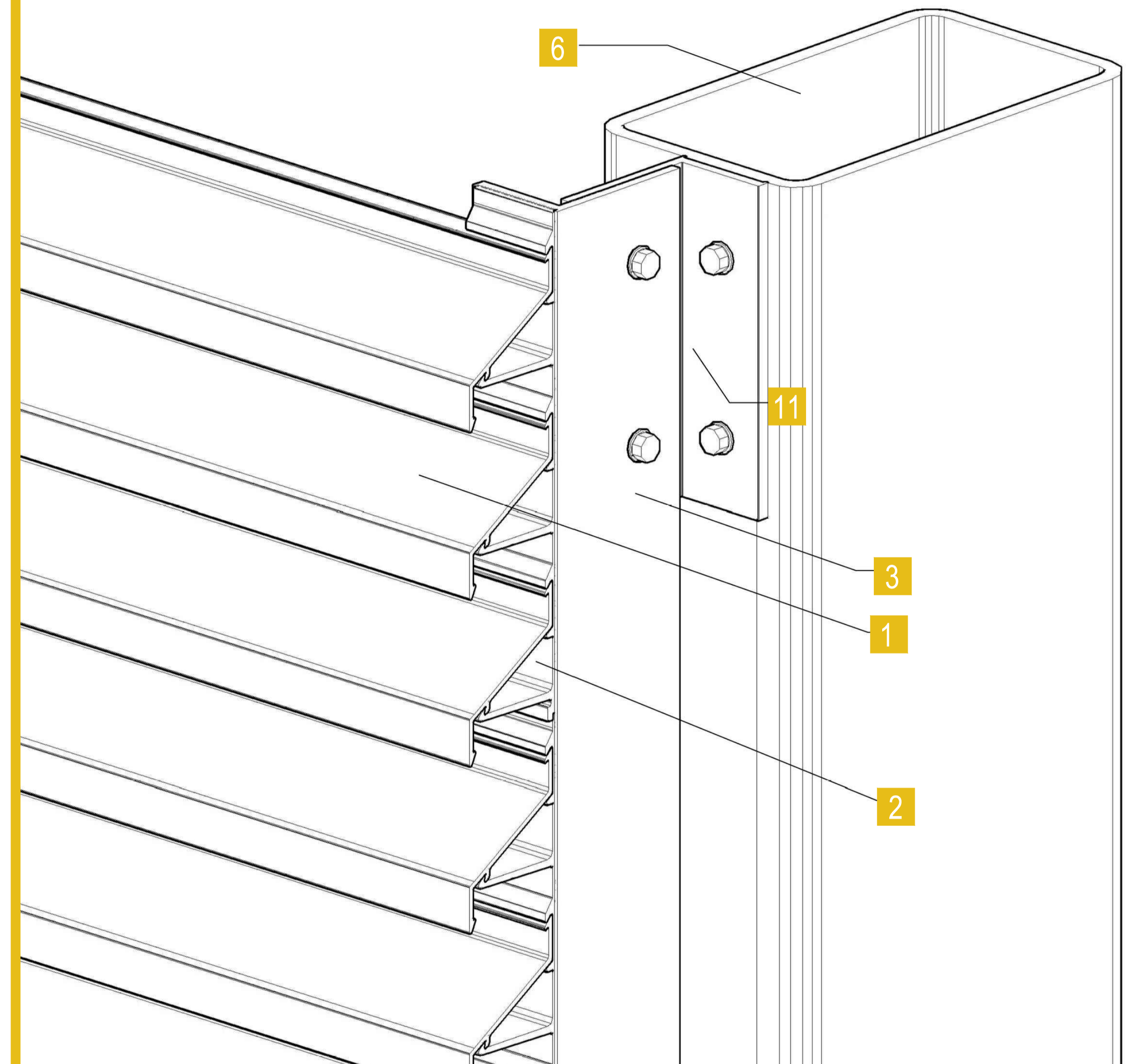
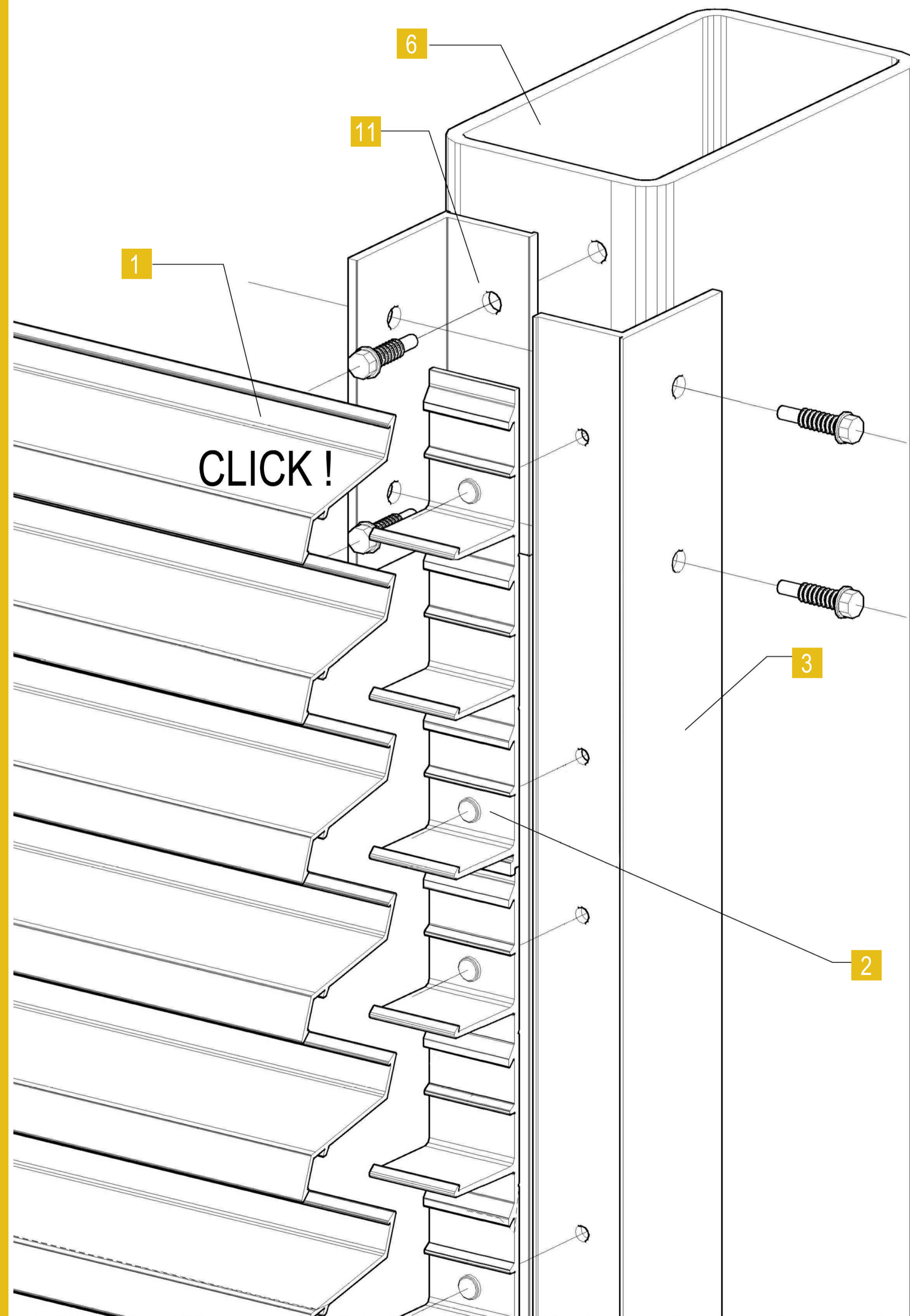


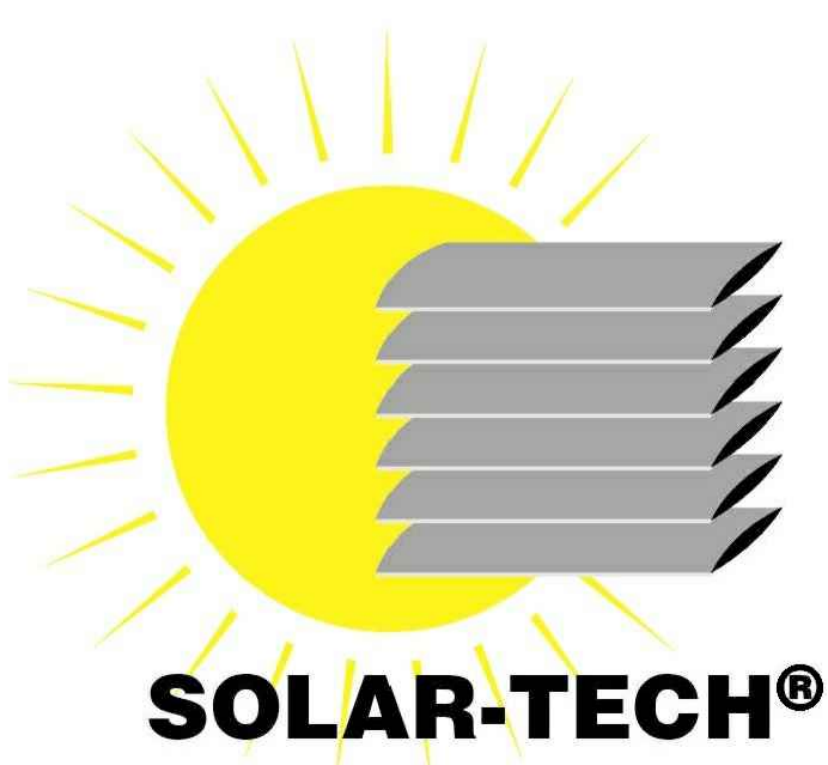
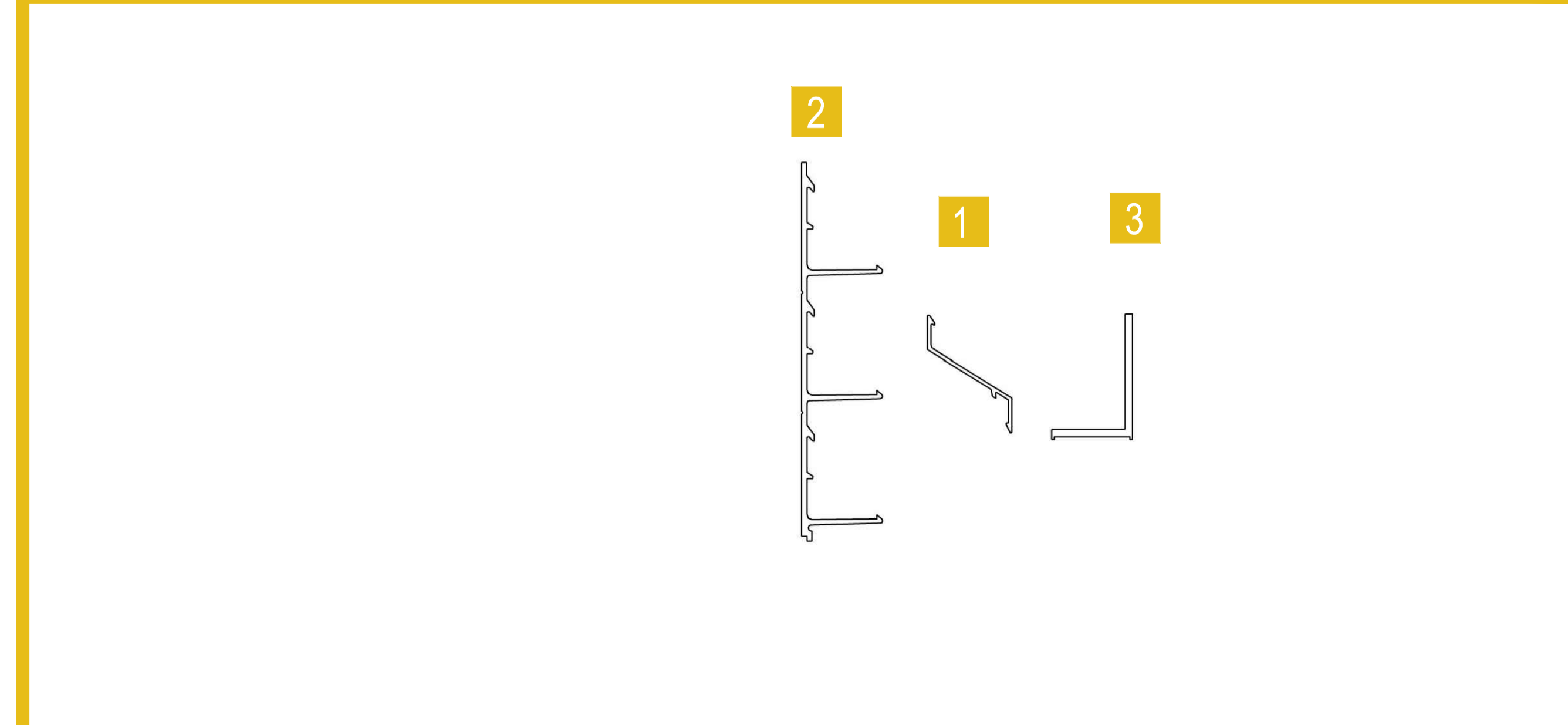
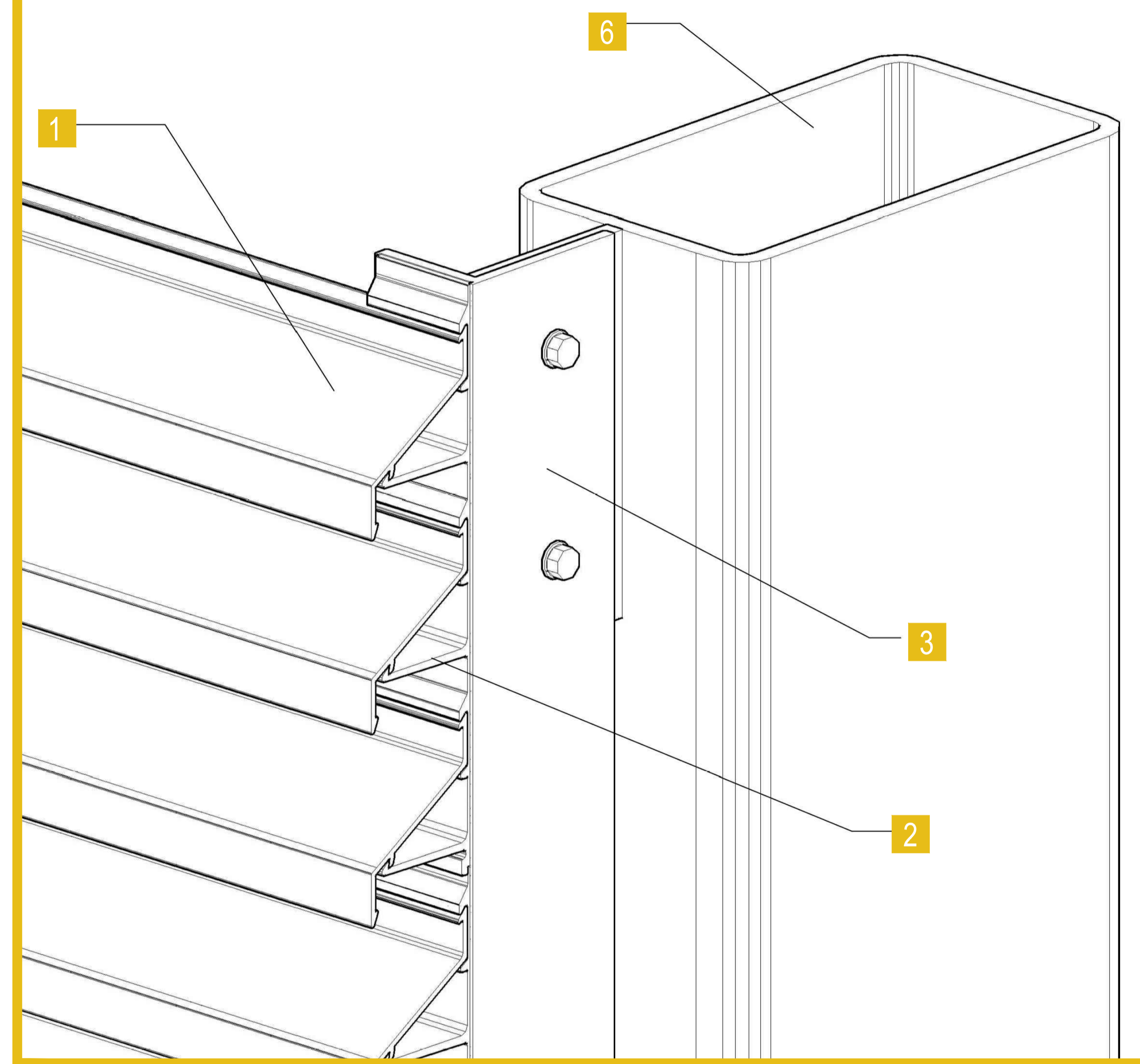
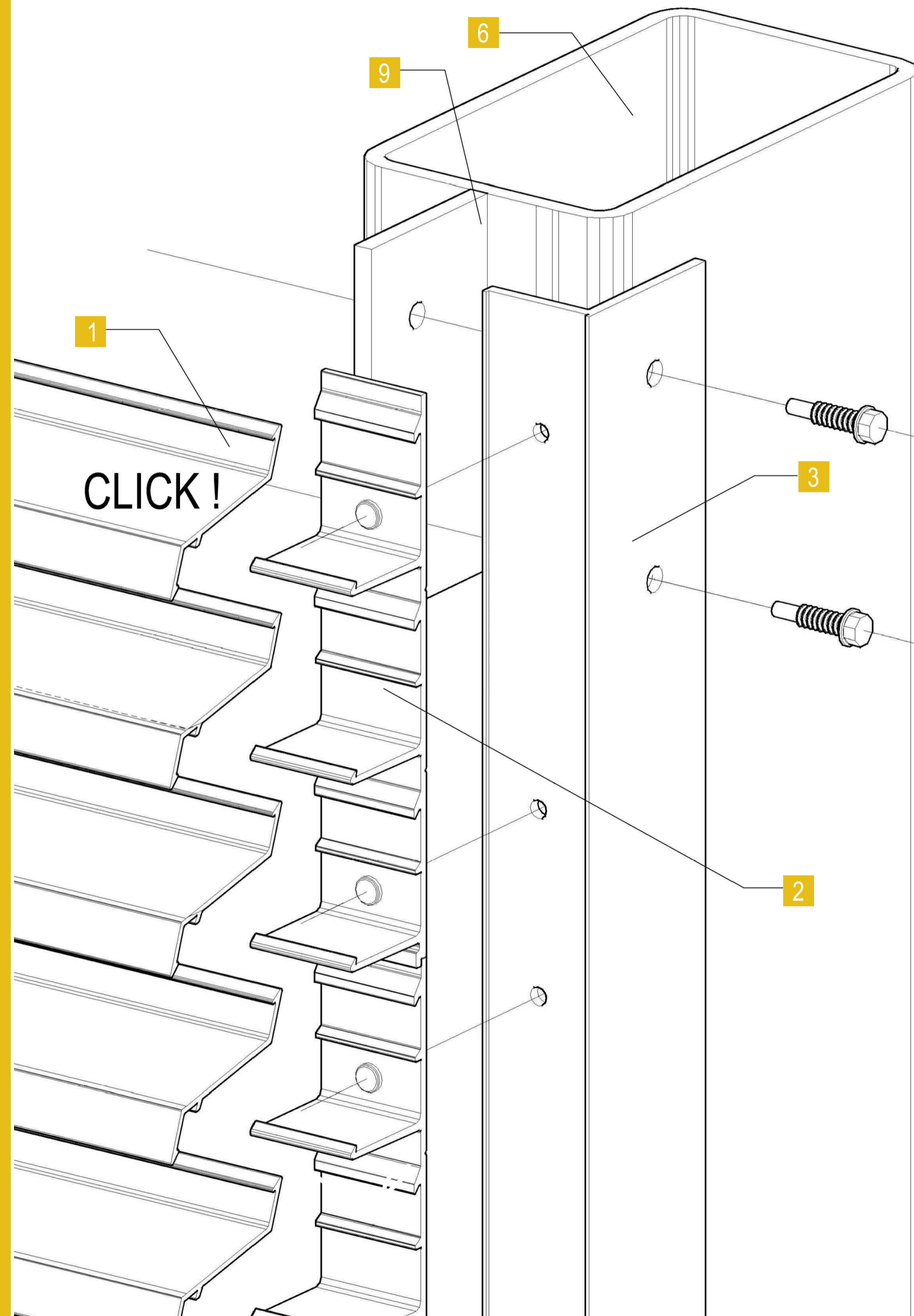
- 1 Aluminum profile Solar - Tech ST 50Z ECO
- 2 Alu. profile Solar - Tech ST 50ZG ECO (GRIP)
- 3 Aluminum profile Solar - Tech ST L50Z
- 4 Load bearing bracket
- 5 Bracket for sliding connections
- 6 Steel post/pole
- 7 Dilatation 1 - 1,5 mm/m
- 8 Spacer
- 9 Welded bracket
- 10 Weld
- 11 Aluminum bracket



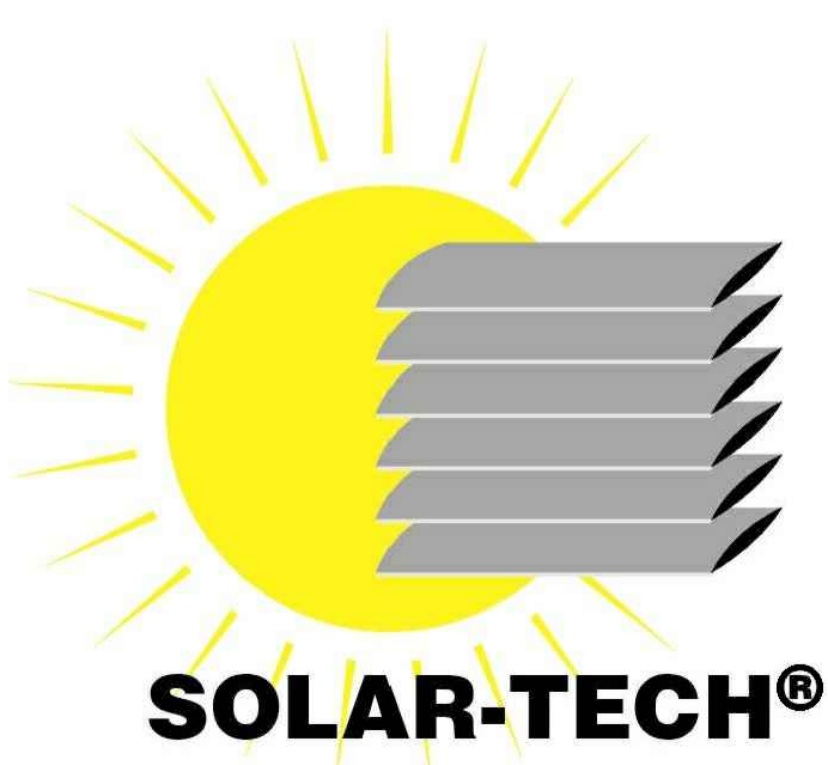
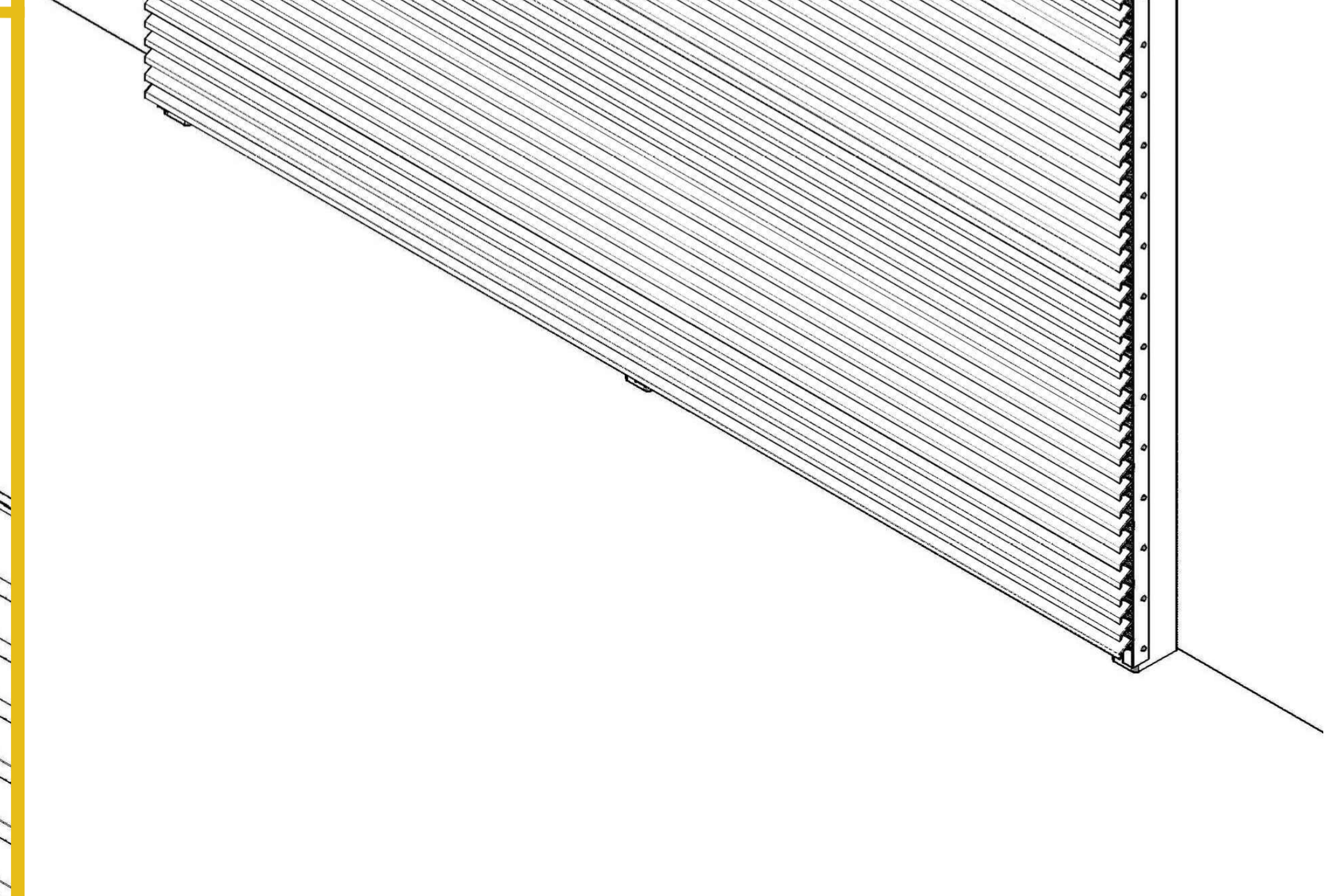
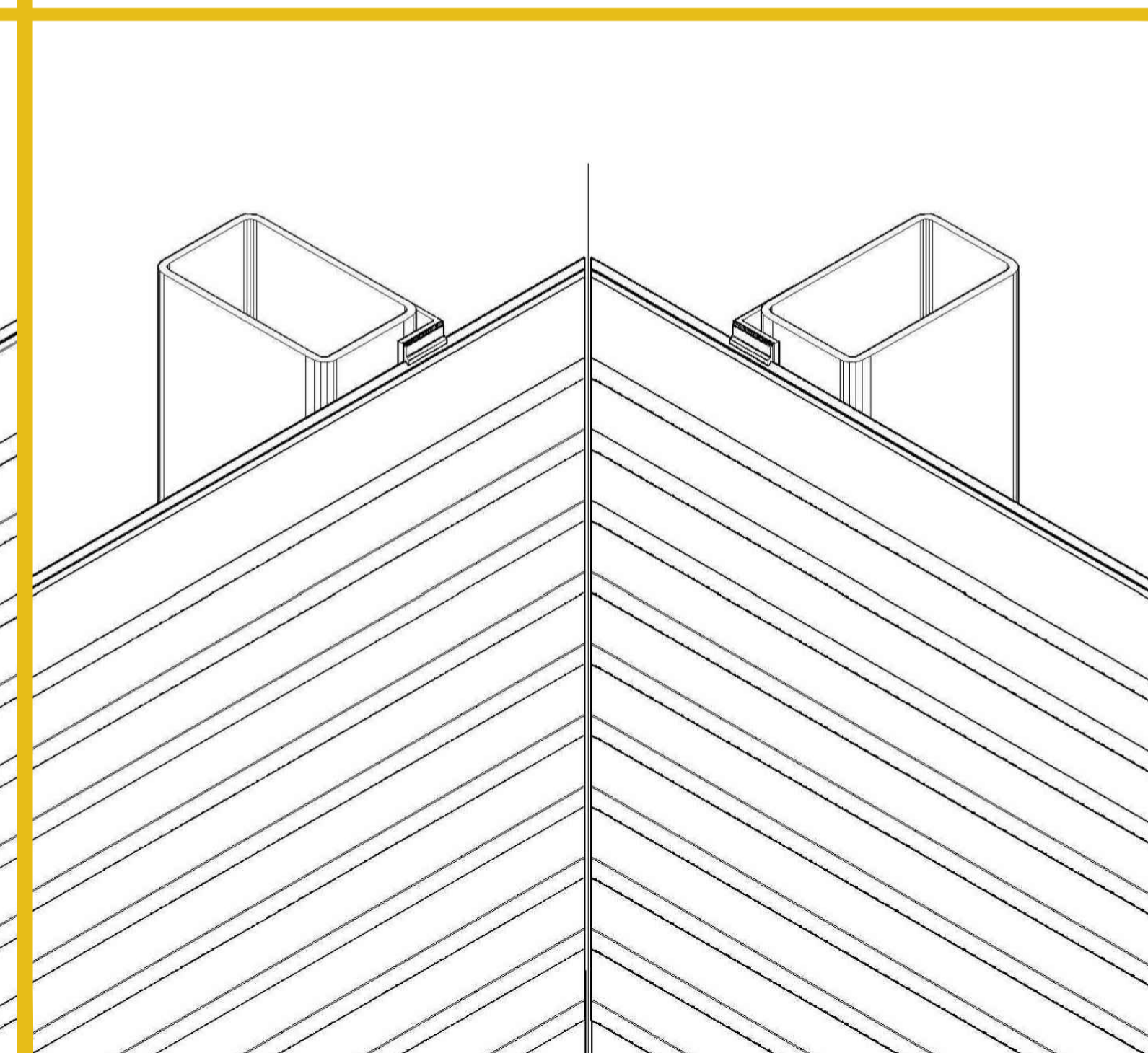
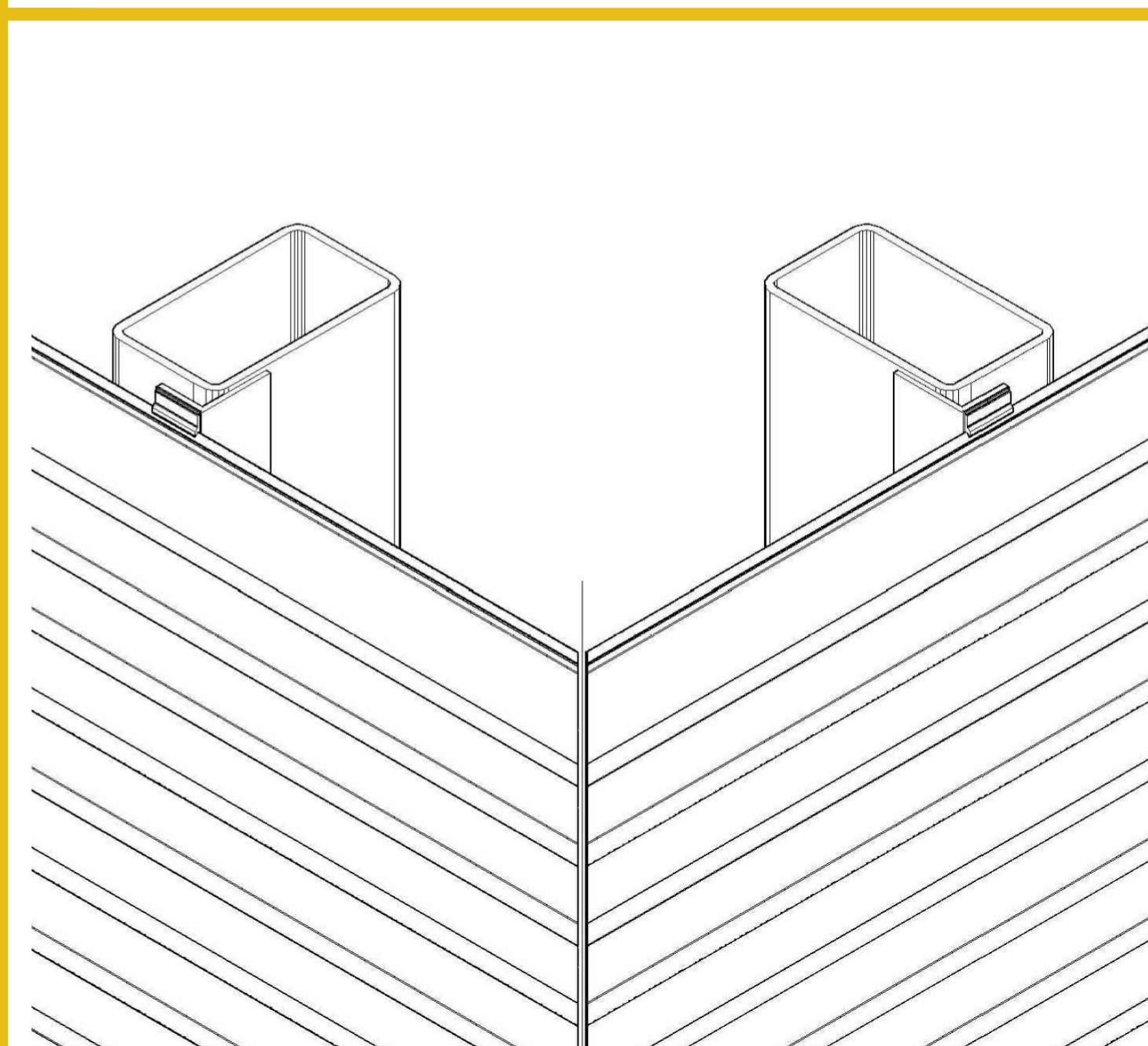
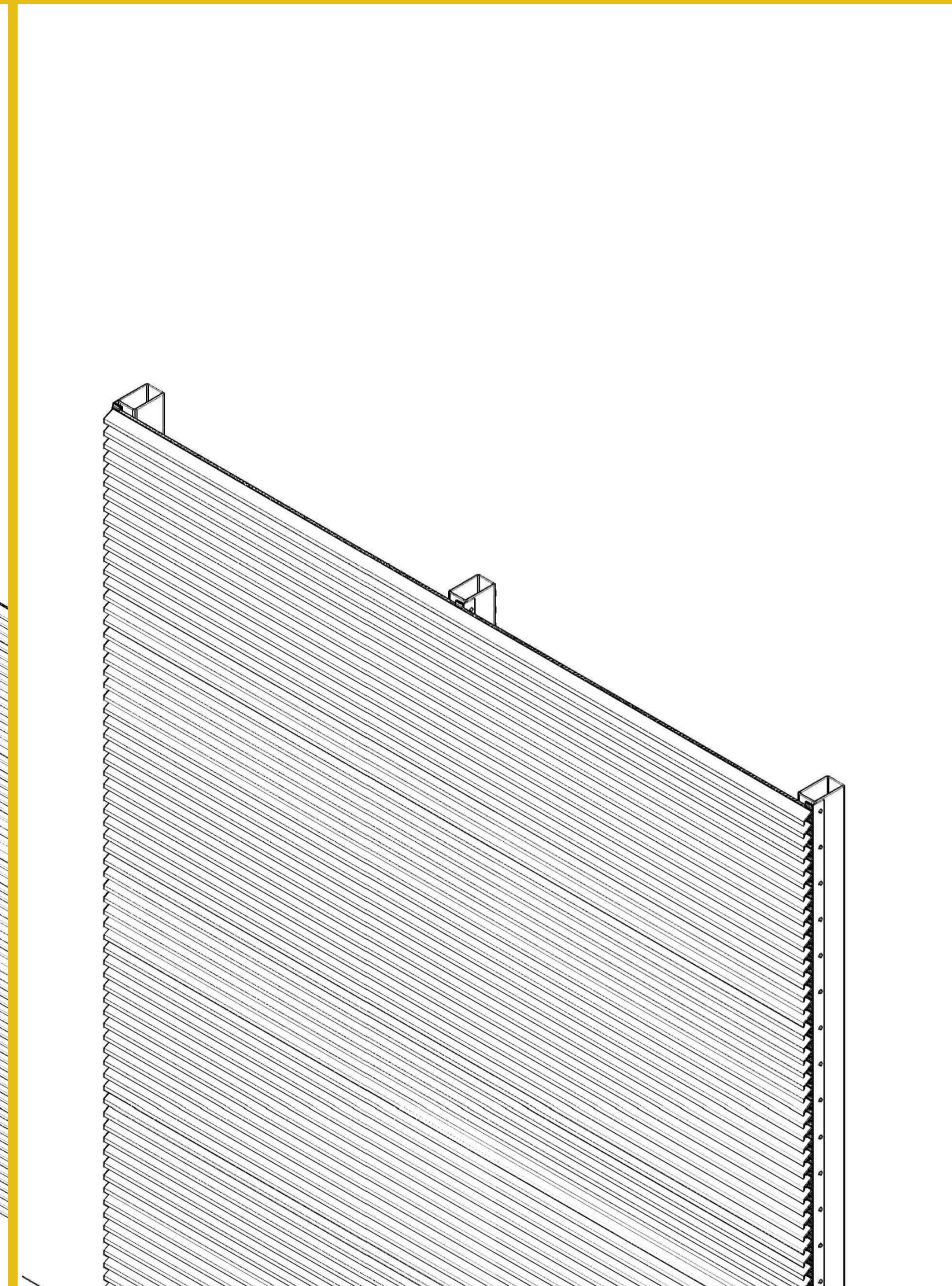
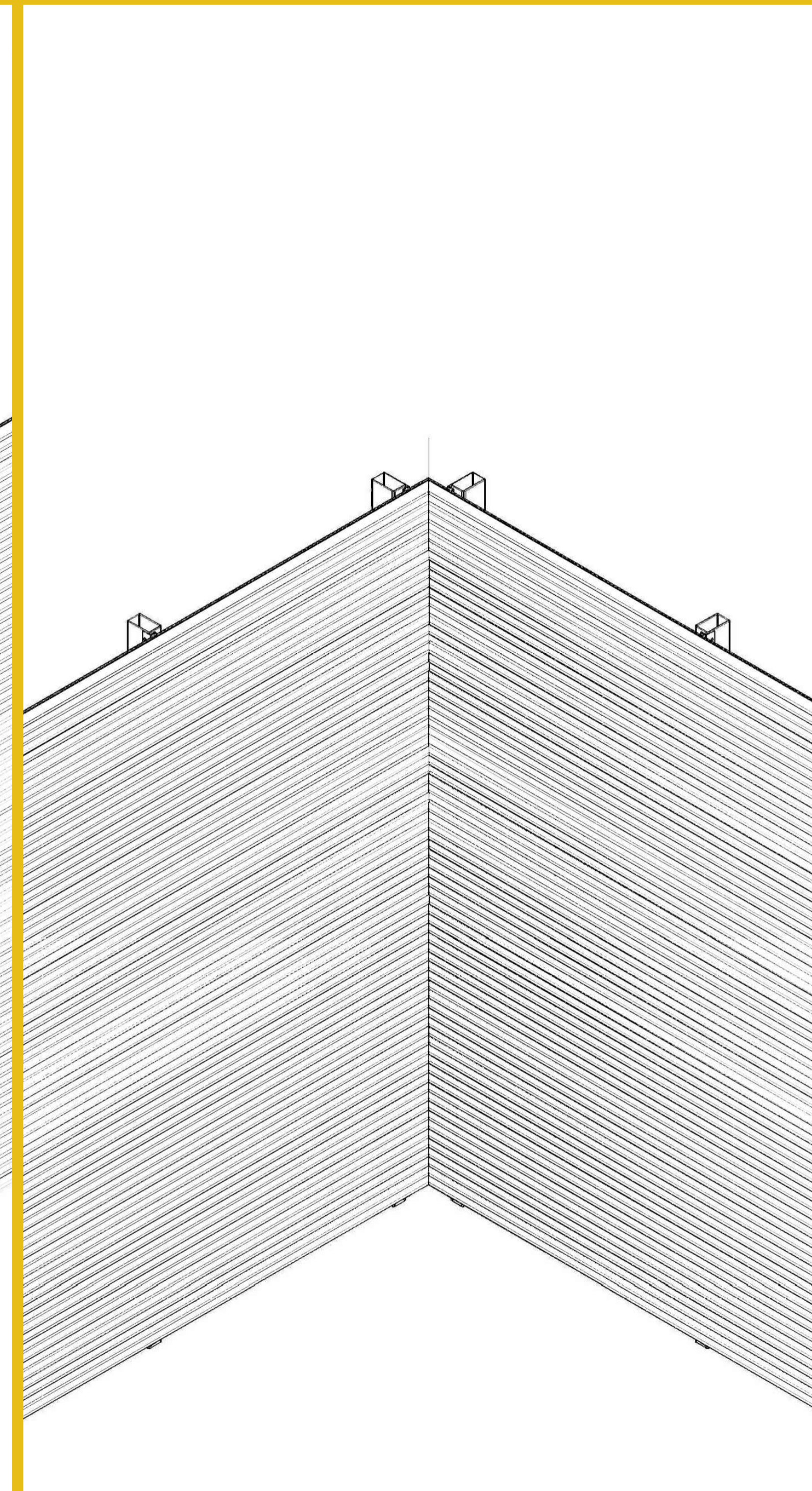
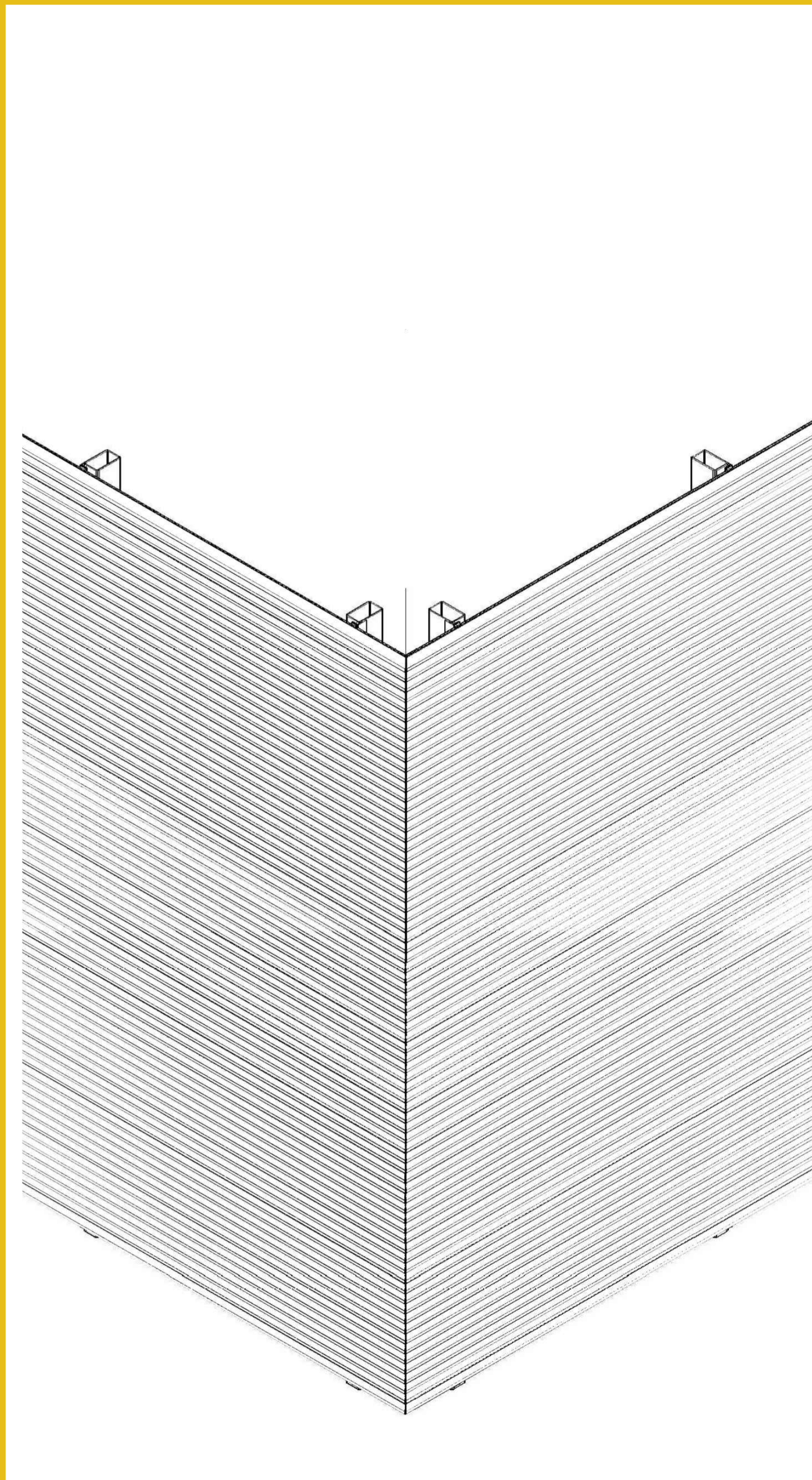
- 1 Aluminum profile Solar - Tech ST 50Z ECO
- 2 Alu. profile Solar - Tech ST 50Z ECO (GRIP)
- 3 Aluminum profile Solar - Tech ST L50Z
- 4 Load bearing bracket
- 5 Bracket for sliding connections
- 6 Steel post/pole
- 7 Dilatation 1 - 1,5 mm/m
- 8 Spacer
- 9 Welded bracket
- 10 Weld
- 11 Aluminum bracket



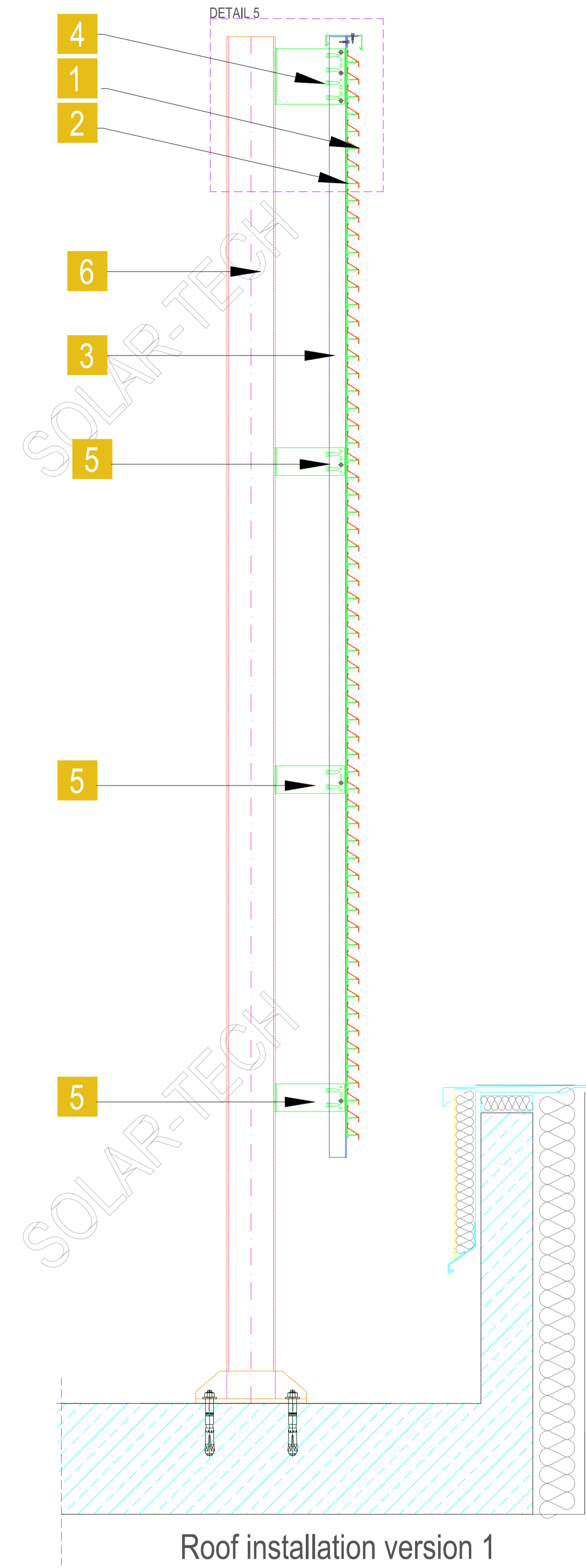
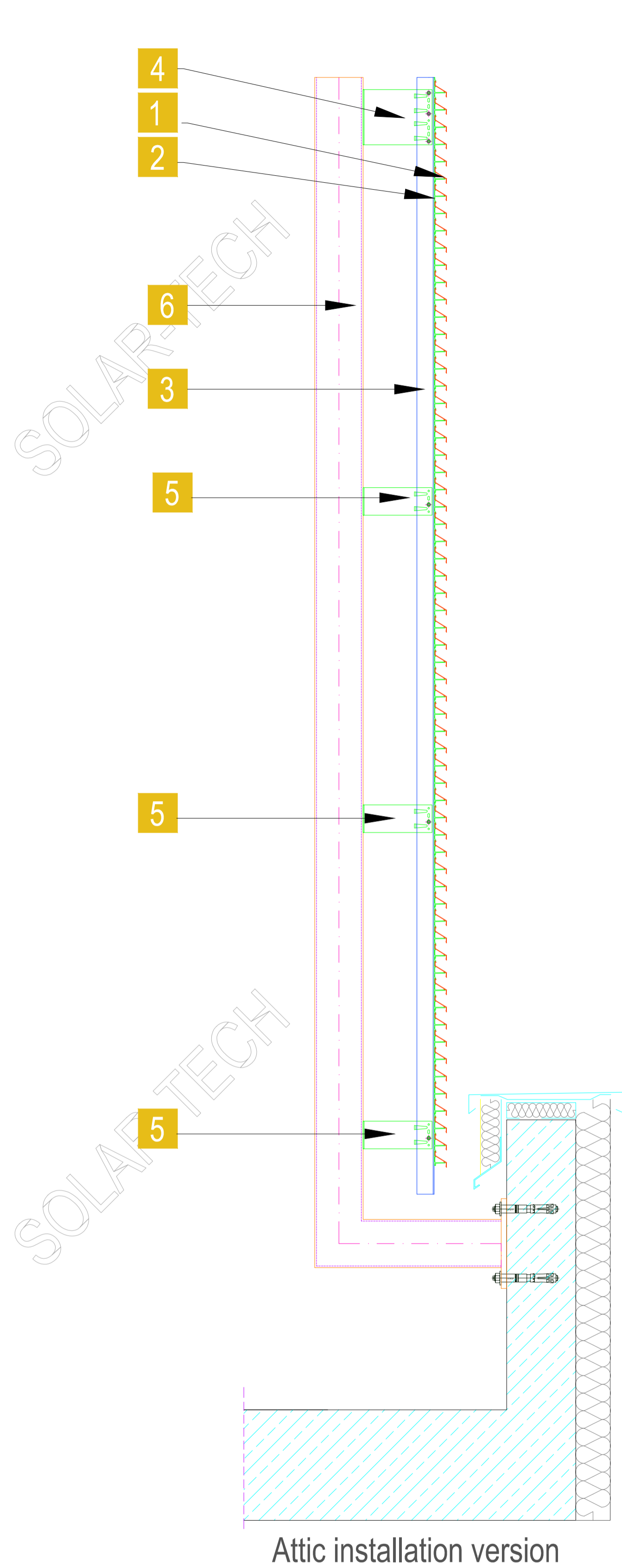
- 1 Aluminum profile Solar - Tech ST 50Z ECO
- 2 Alu. profile Solar - Tech ST 50ZG ECO (GRIP)
- 3 Aluminum profile Solar - Tech ST L50Z
- 4 Load bearing bracket
- 5 Bracket for sliding connections
- 6 Steel post/pole
- 7 Dilatation 1 - 1,5 mm/m
- 8 Spacer
- 9 Welded bracket
- 10 Weld
- 11 Aluminum bracket



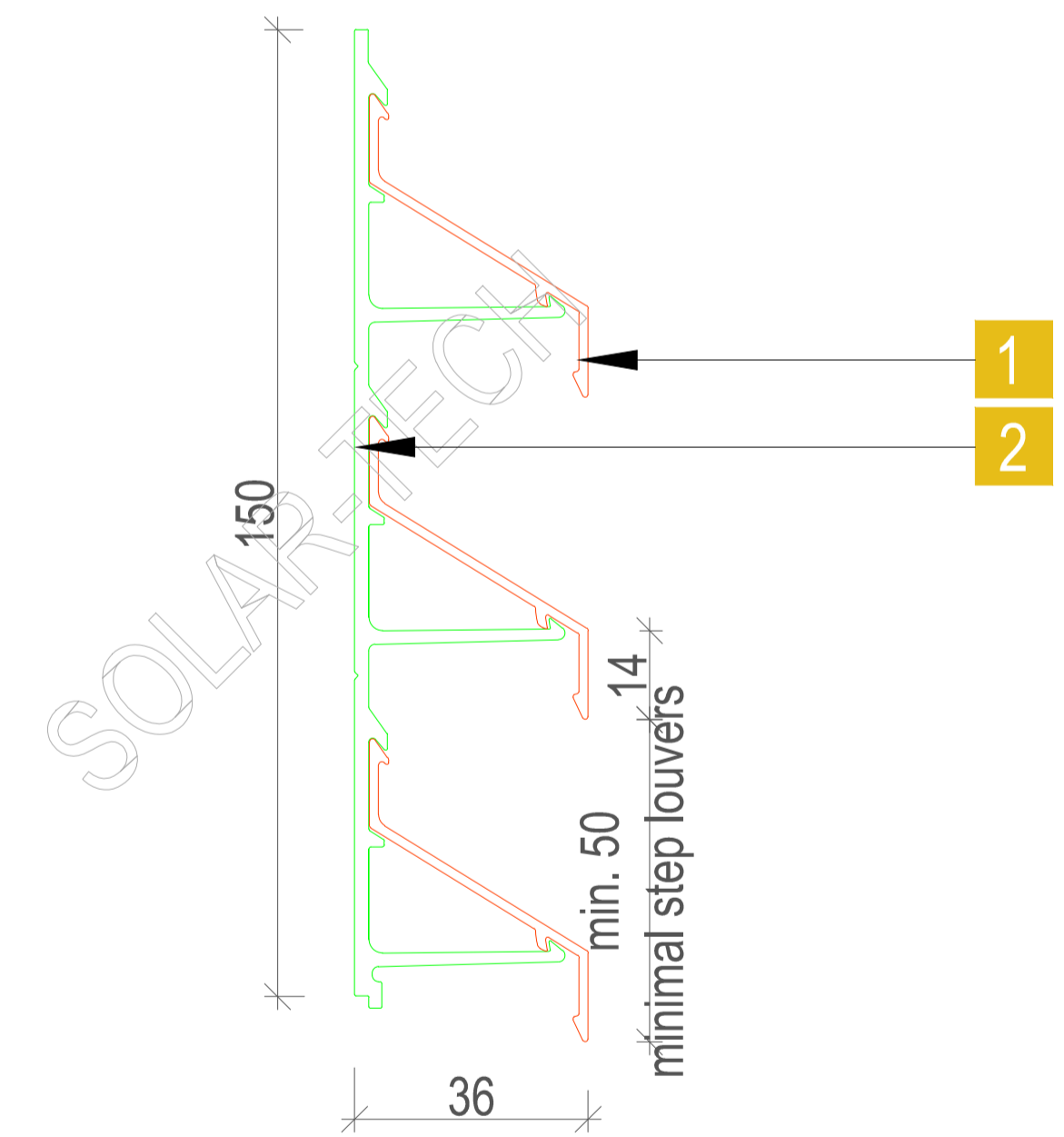
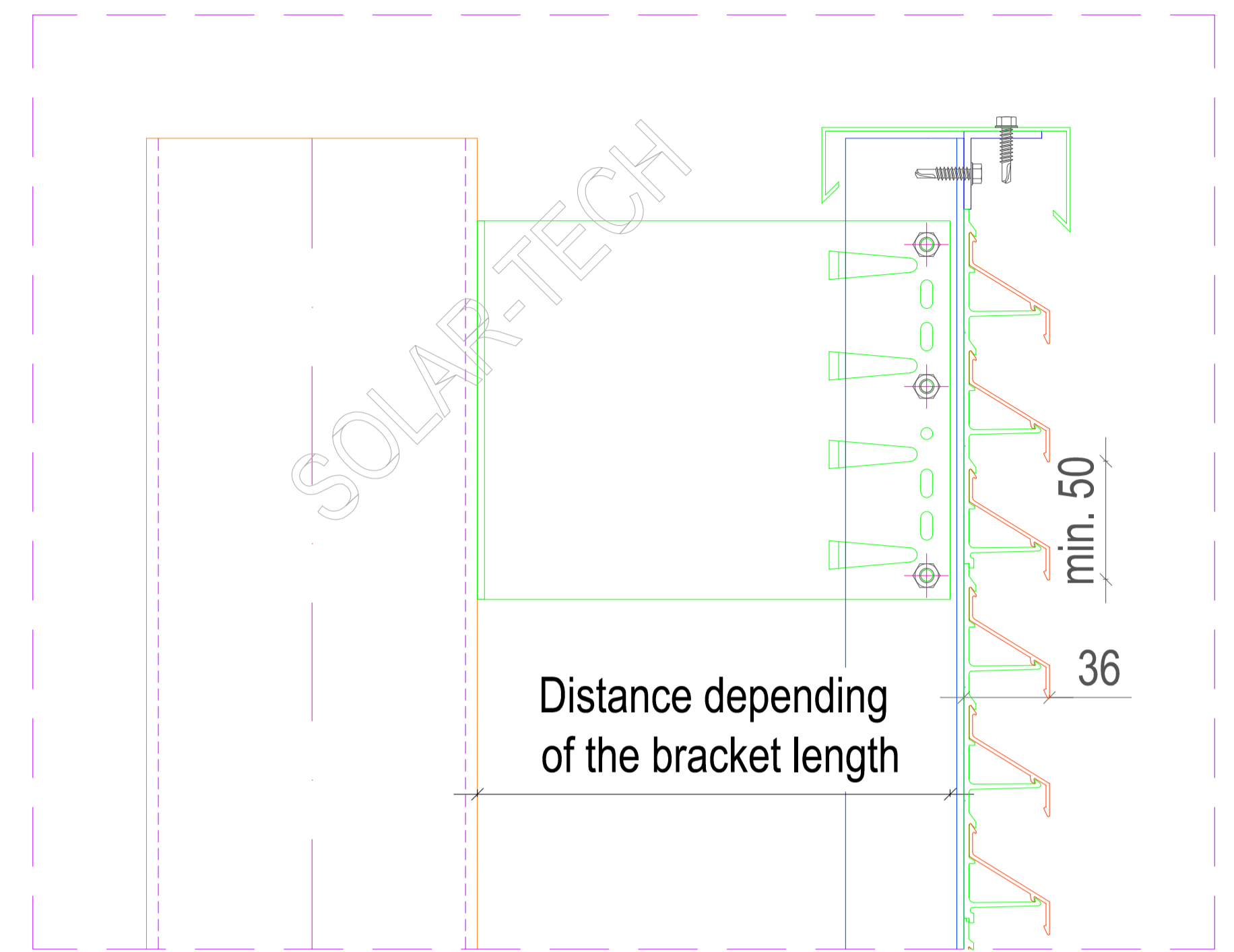
- 1 Aluminum profile Solar - Tech ST 50Z BREAK
- 2 Aluminum profile Solar - Tech ST 50ZG (GRIP)
- 3 Aluminum profile Solar - Tech ST L50Z
- 4 Load bearing bracket
- 5 Bracket for sliding connections
- 6 Steel post/pole
- 7 Dilatation 1 - 1,5 mm/m
- 8 Spacer
- 9 Welded bracket
- 10 Weld
- 11 Aluminum bracket



- 1 Aluminum profile Solar - Tech ST 50Z ECO
- 2 Alu. profile Solar - Tech ST 50ZG ECO(GRIP)
- 3 Aluminum profile Solar - Tech ST L50Z
- 4 Load bearing bracket
- 5 Bracket for sliding connections
- 6 Steel post/pole
- 7 Dilatation 1 - 1,5 mm/m
- 8 Spacer
- 9 Welded bracket
- 10 Weld
- 11 Aluminum bracket

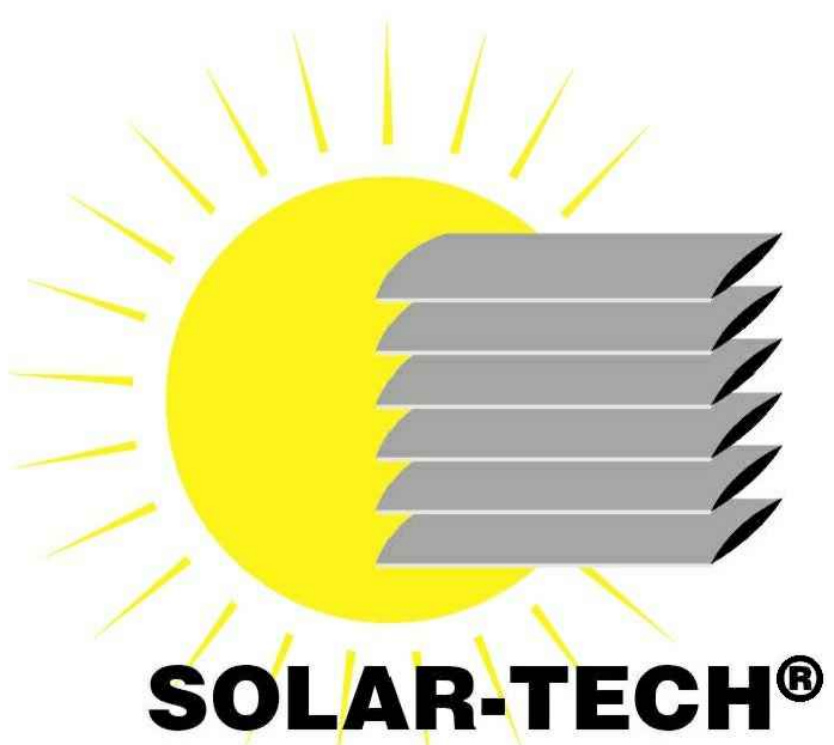


DETAIL 5.
Top covering

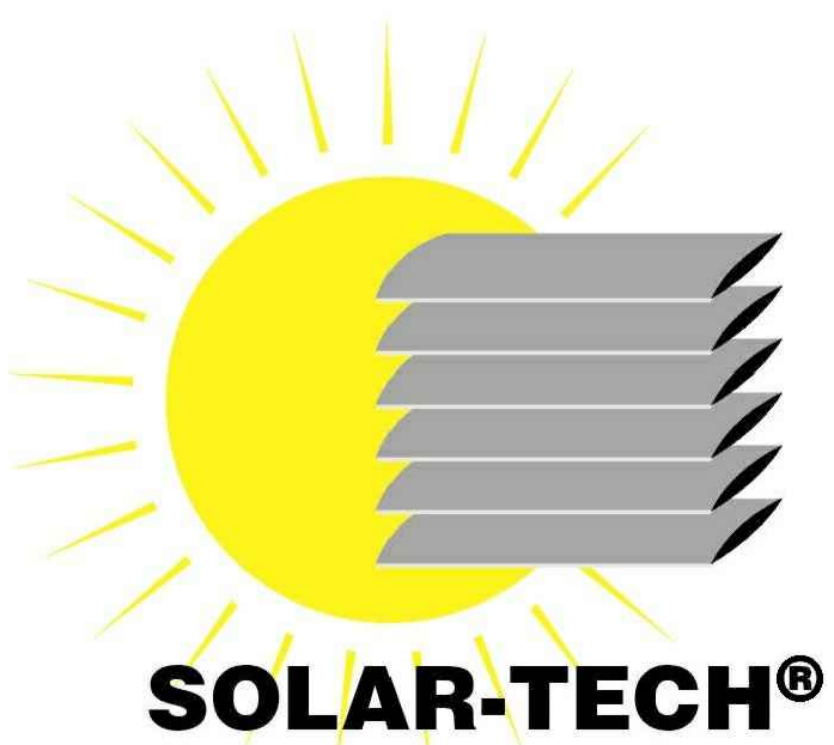
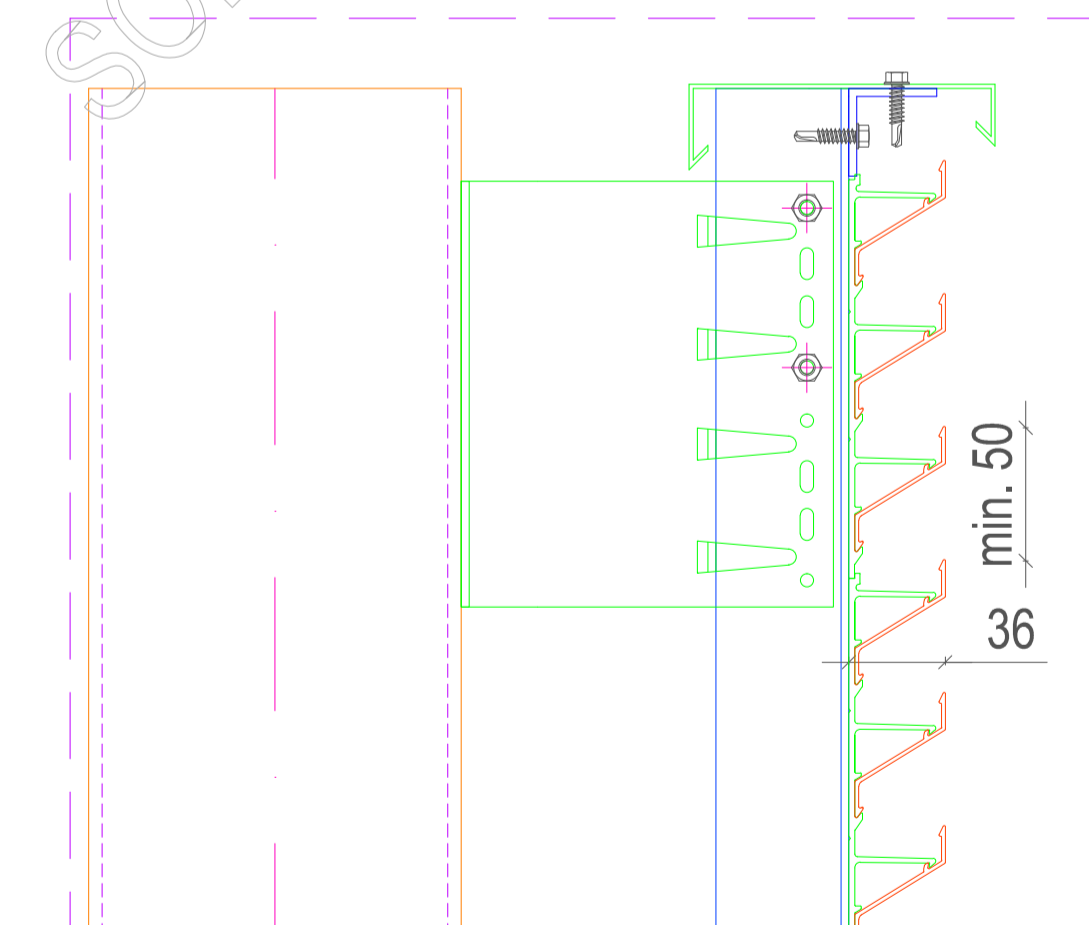
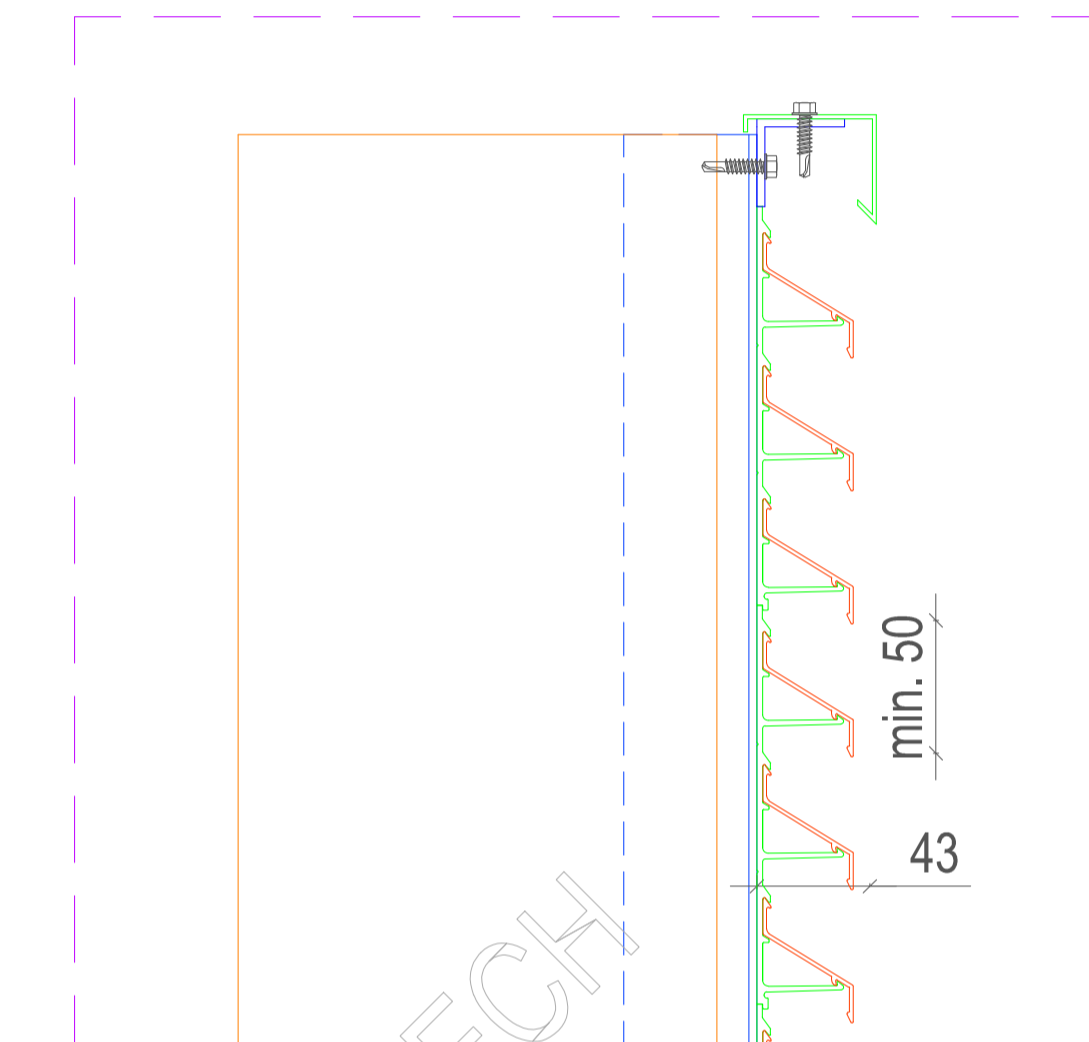
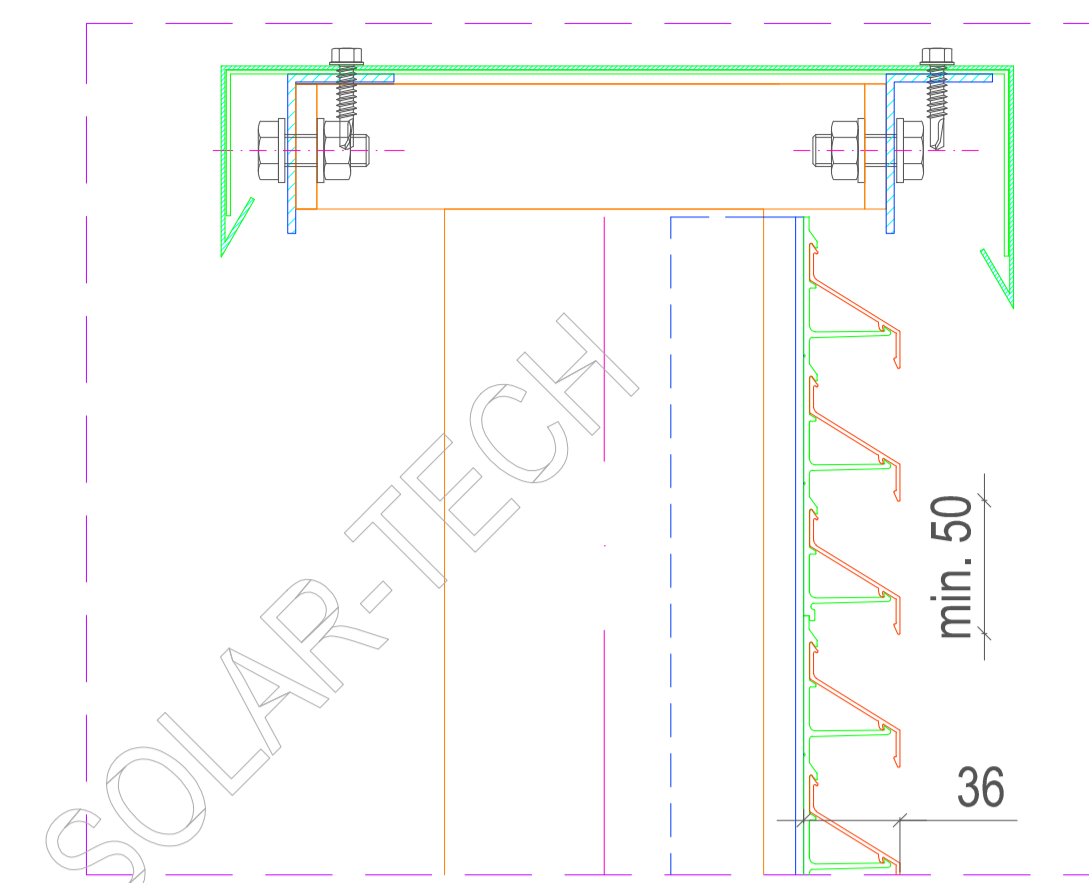
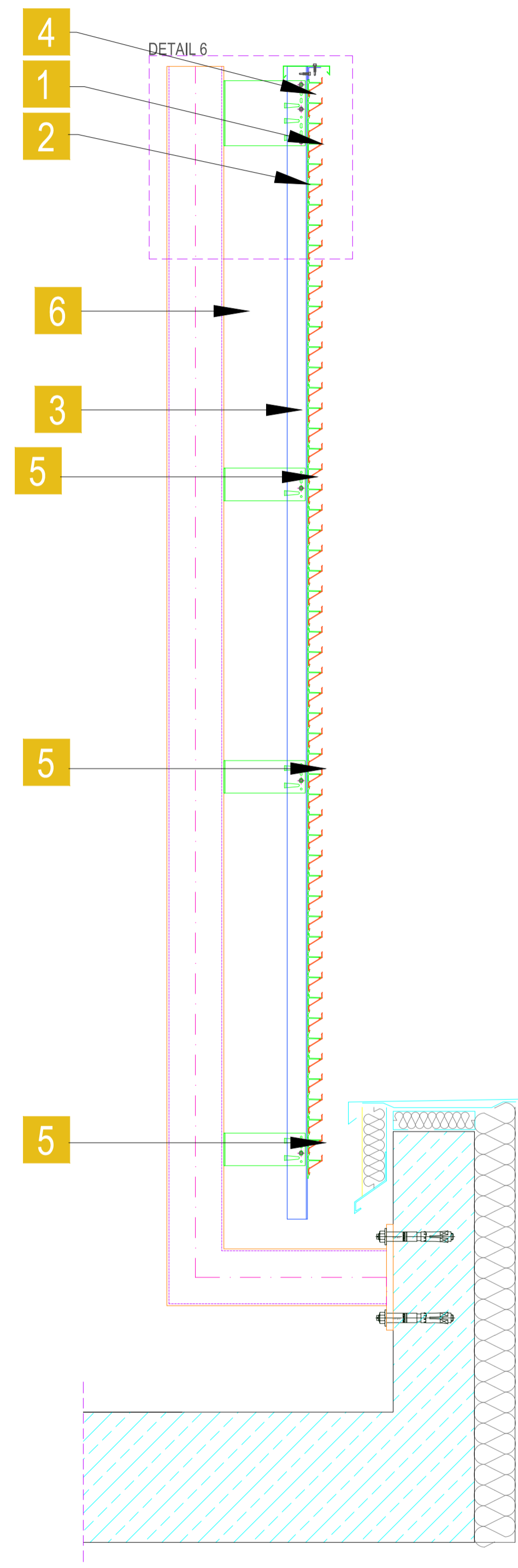
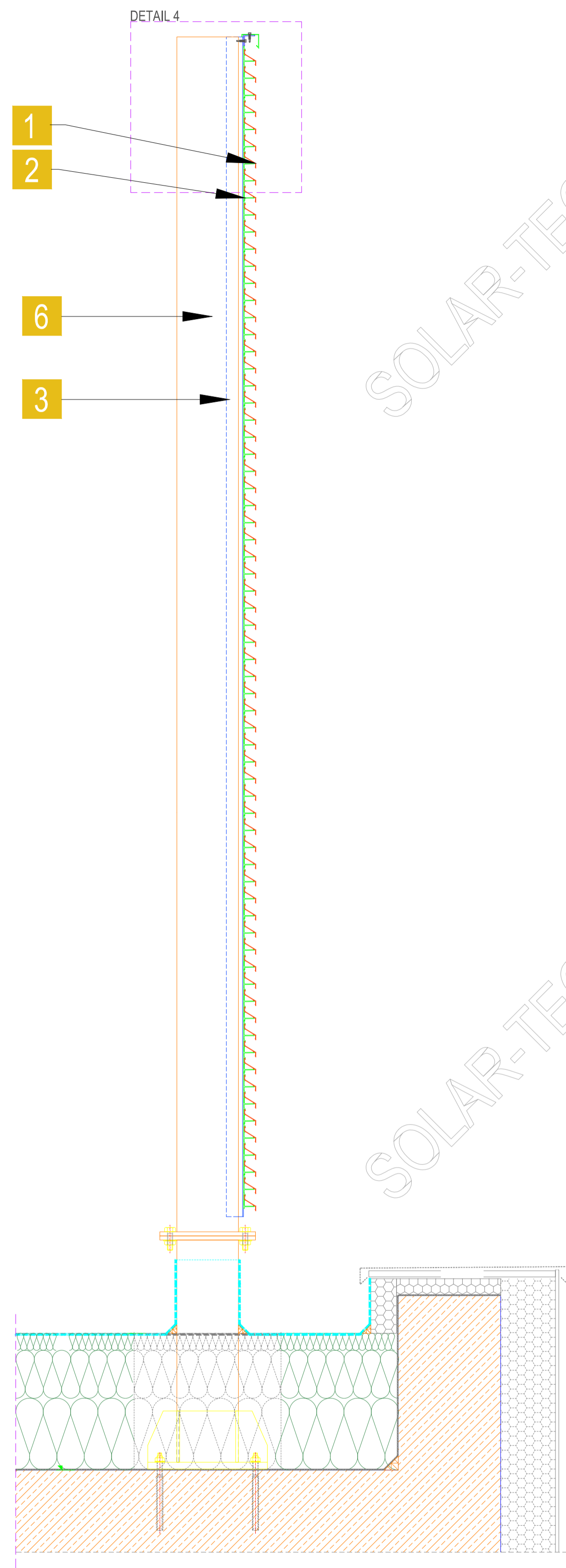
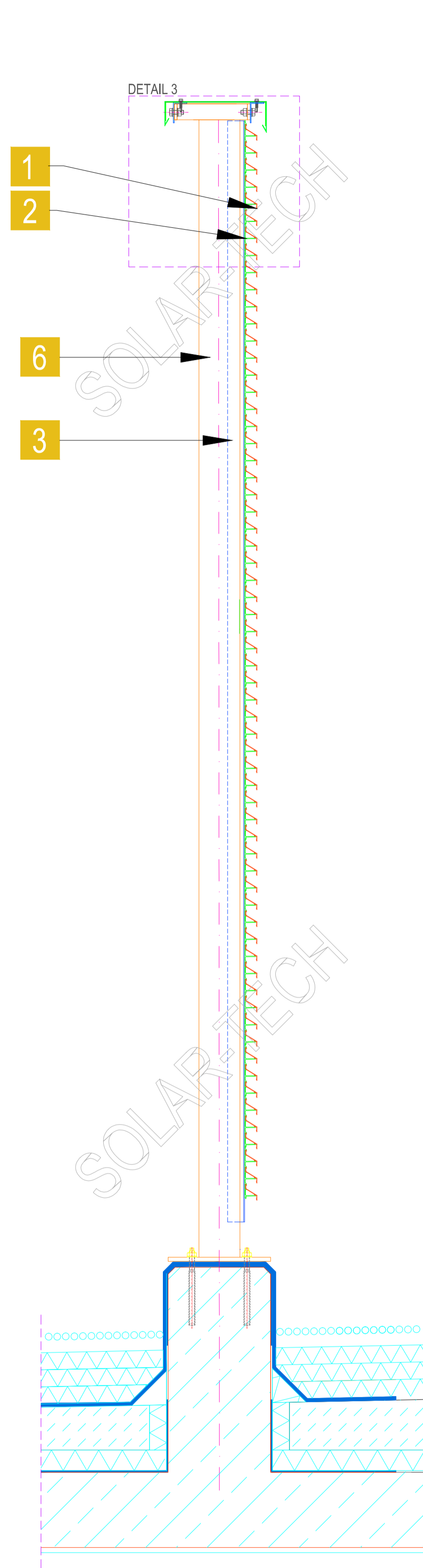


CAUTION!

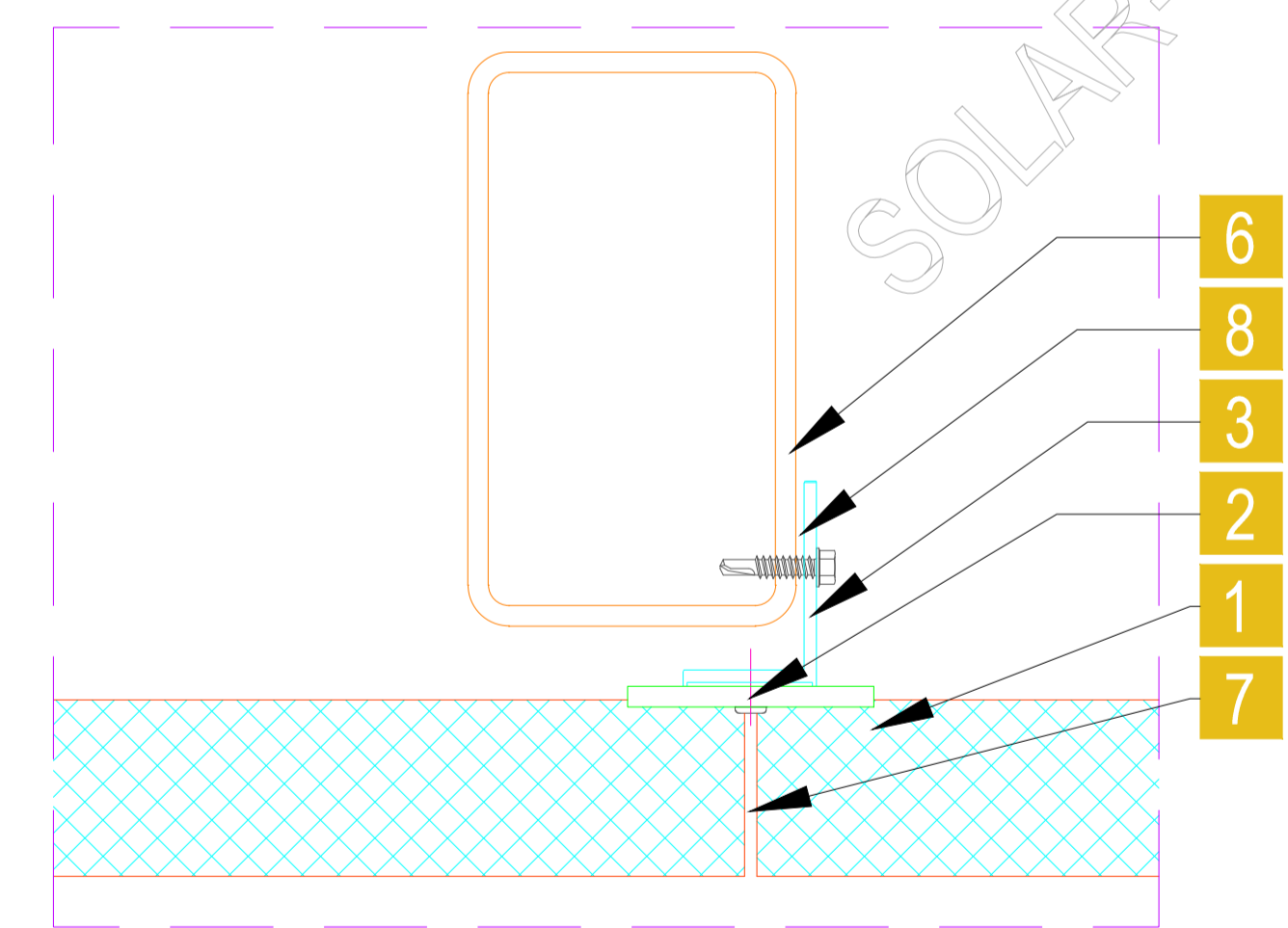
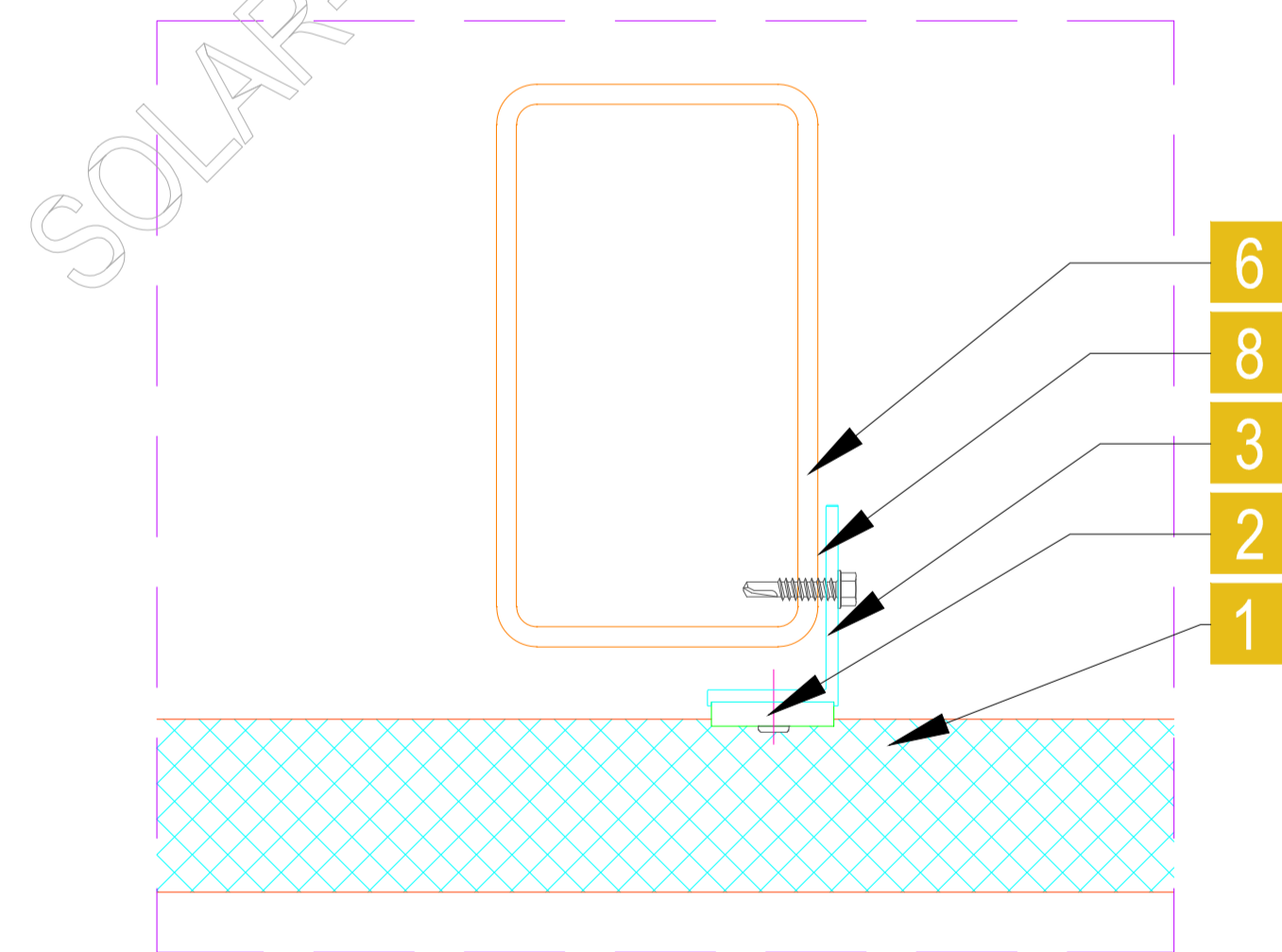
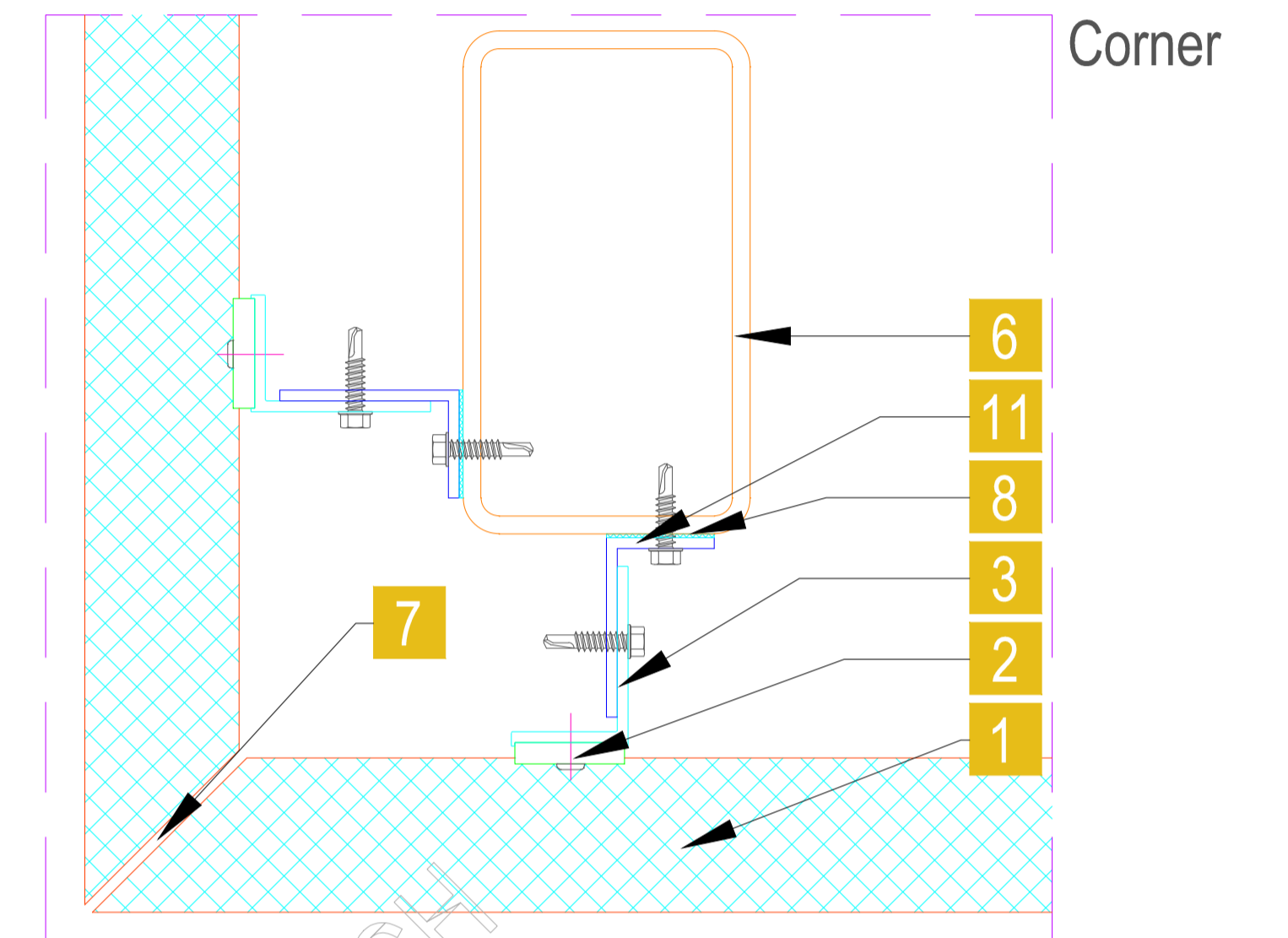
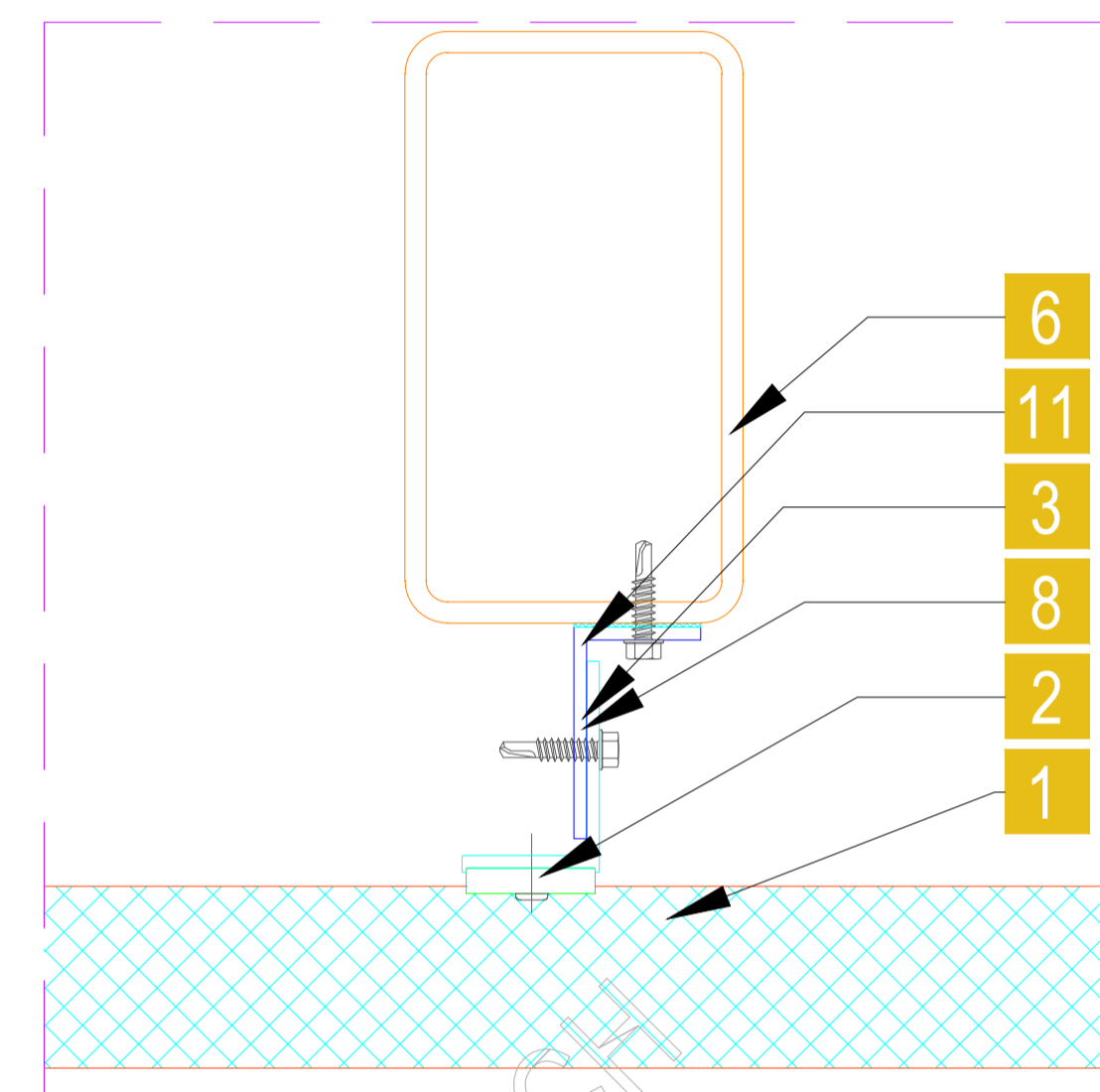
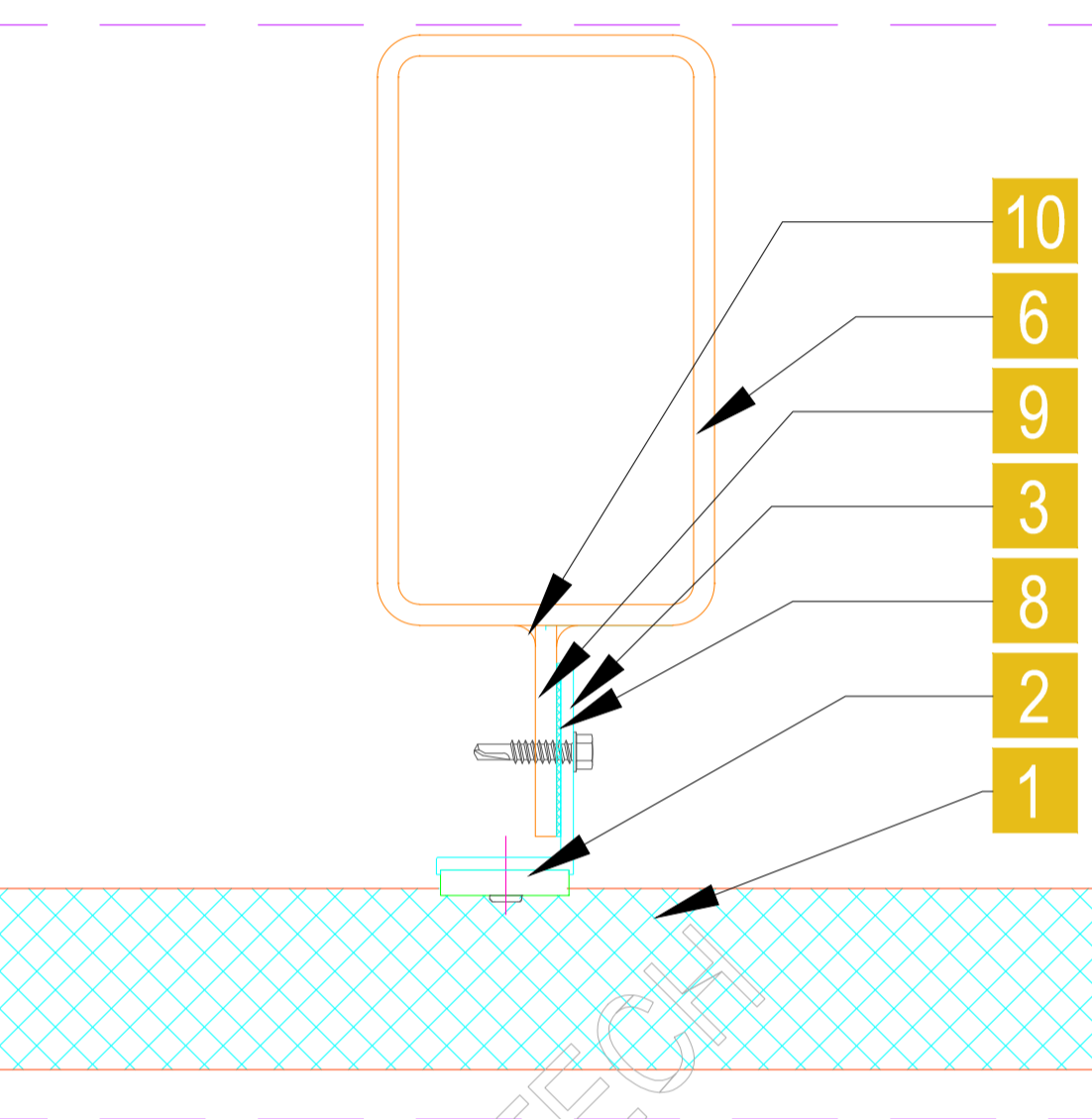
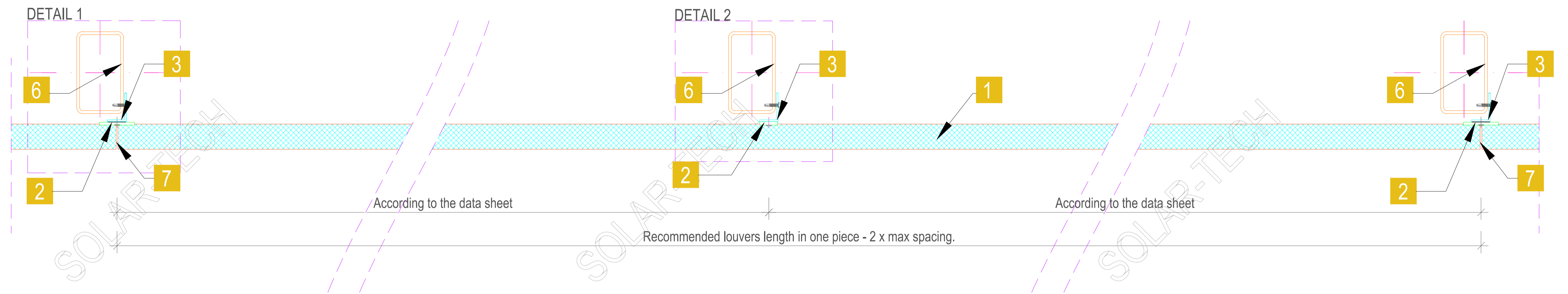
Presented solutions are only a sample. In any doubts, please contact the Solar - Tech company. Pole and beams shape and sizes according to the technical calculation.



- 1 Aluminum profile Solar - Tech ST 50Z ECO
- 2 Alu. profile Solar - Tech ST 50ZG ECO(GRIP)
- 3 Aluminum profile Solar - Tech ST L50Z
- 4 Load bearing bracket
- 5 Bracket for sliding connections
- 6 Steel post/pole
- 7 Dilatation 1 - 1,5 mm/m
- 8 Spacer
- 9 Welded bracket
- 10 Weld
- 11 Aluminum bracket



SOLAR-TECH®



CAUTION!

Presented solutions are only a sample. In any doubts, please contact the Solar - Tech company. Pole and beams shape and sizes according to the technical calculation.