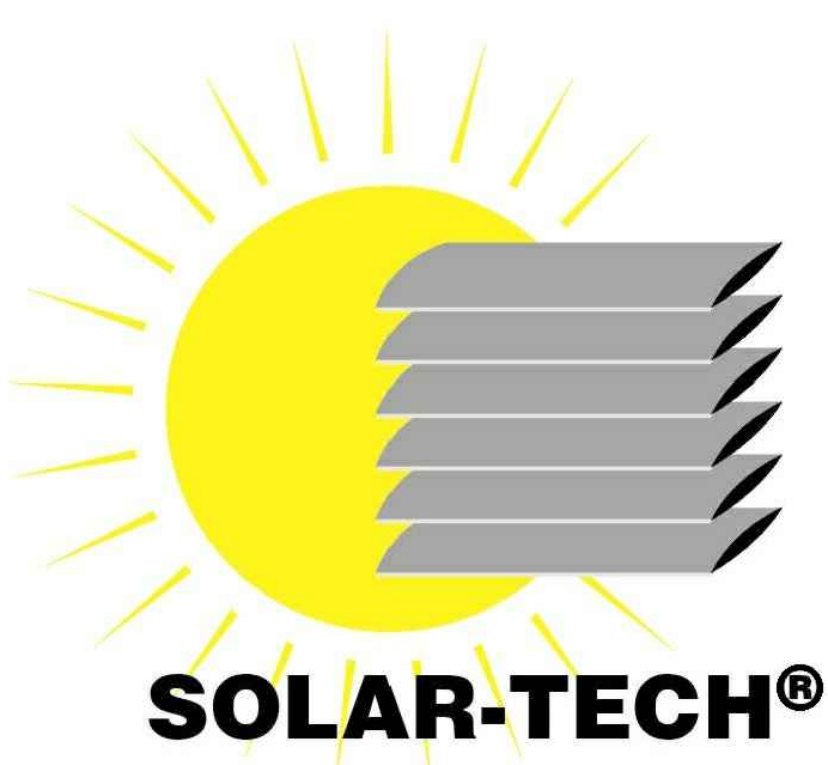
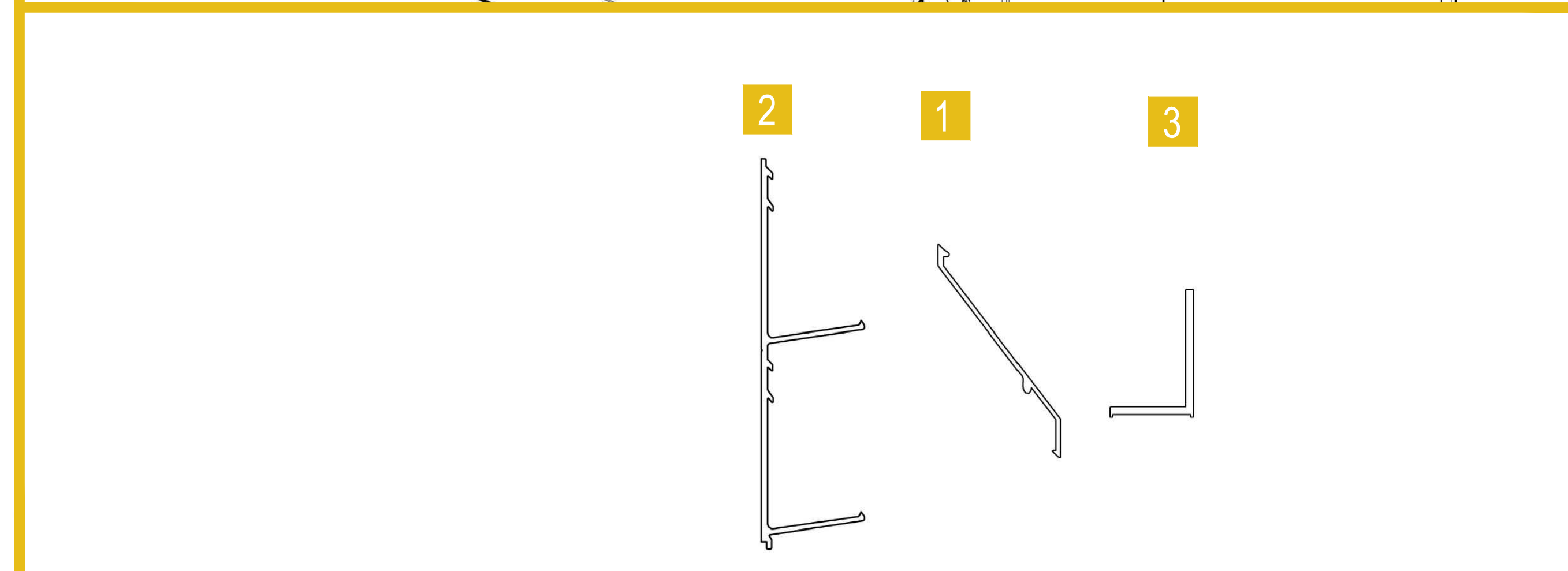
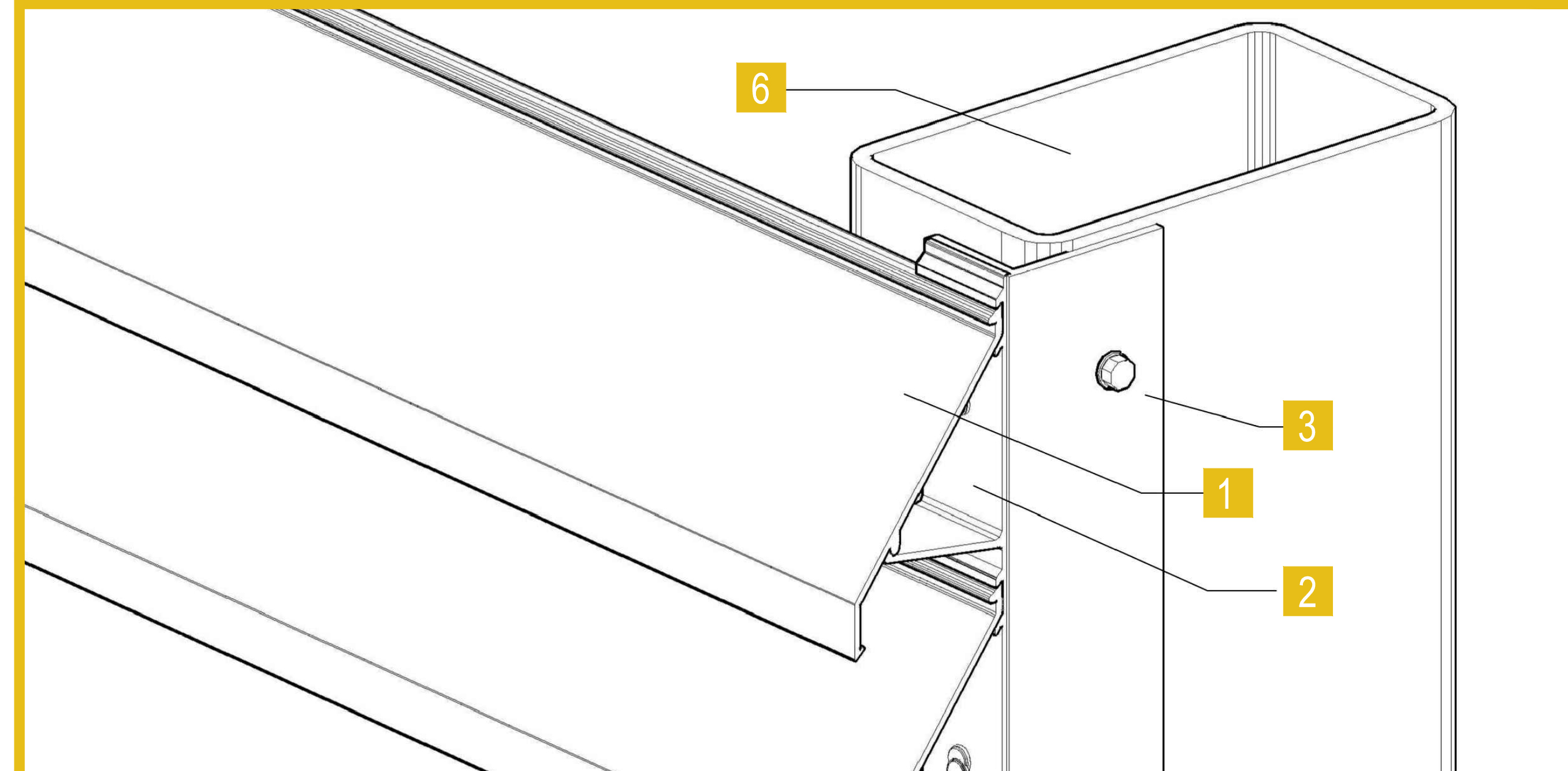
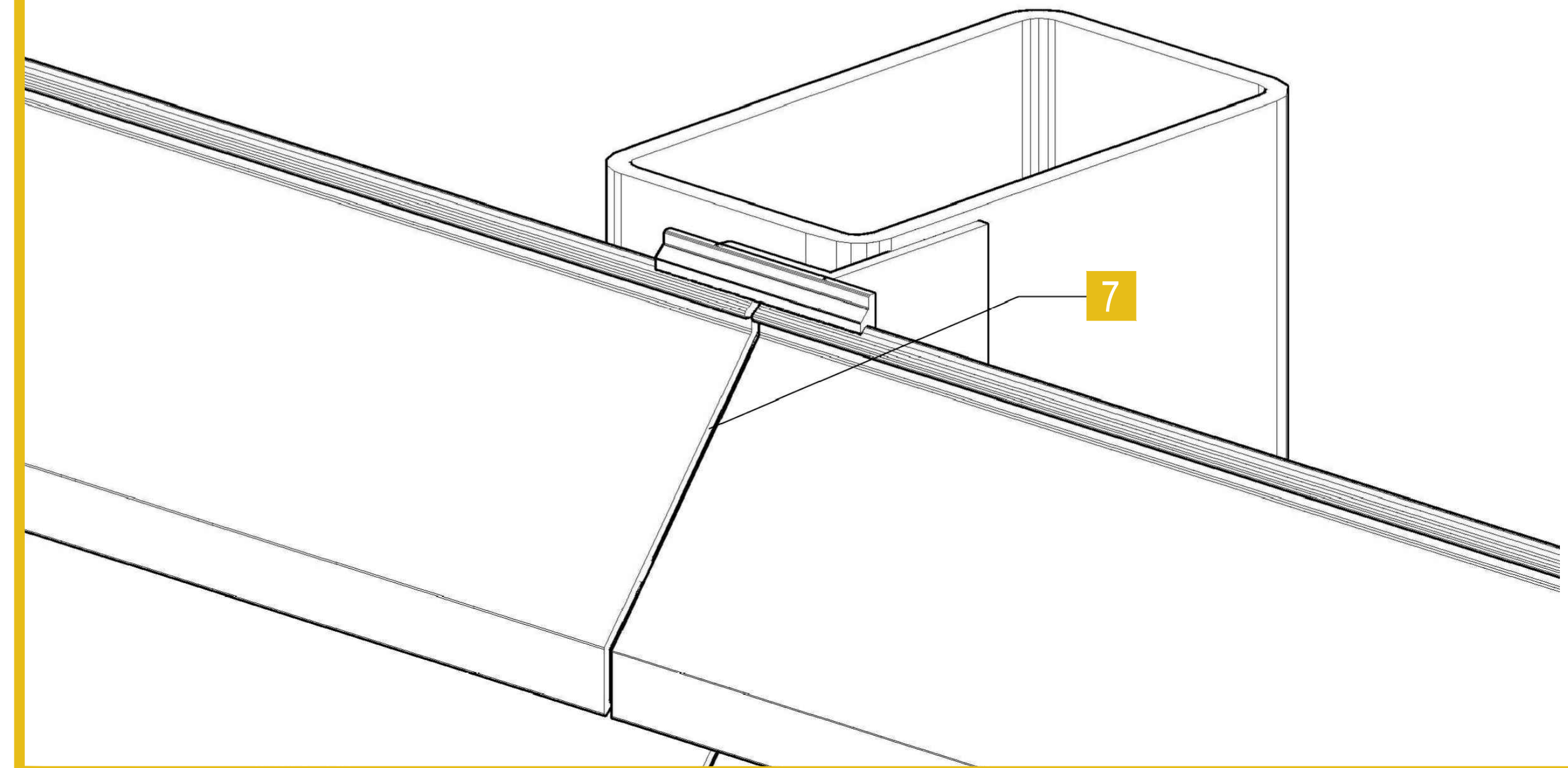
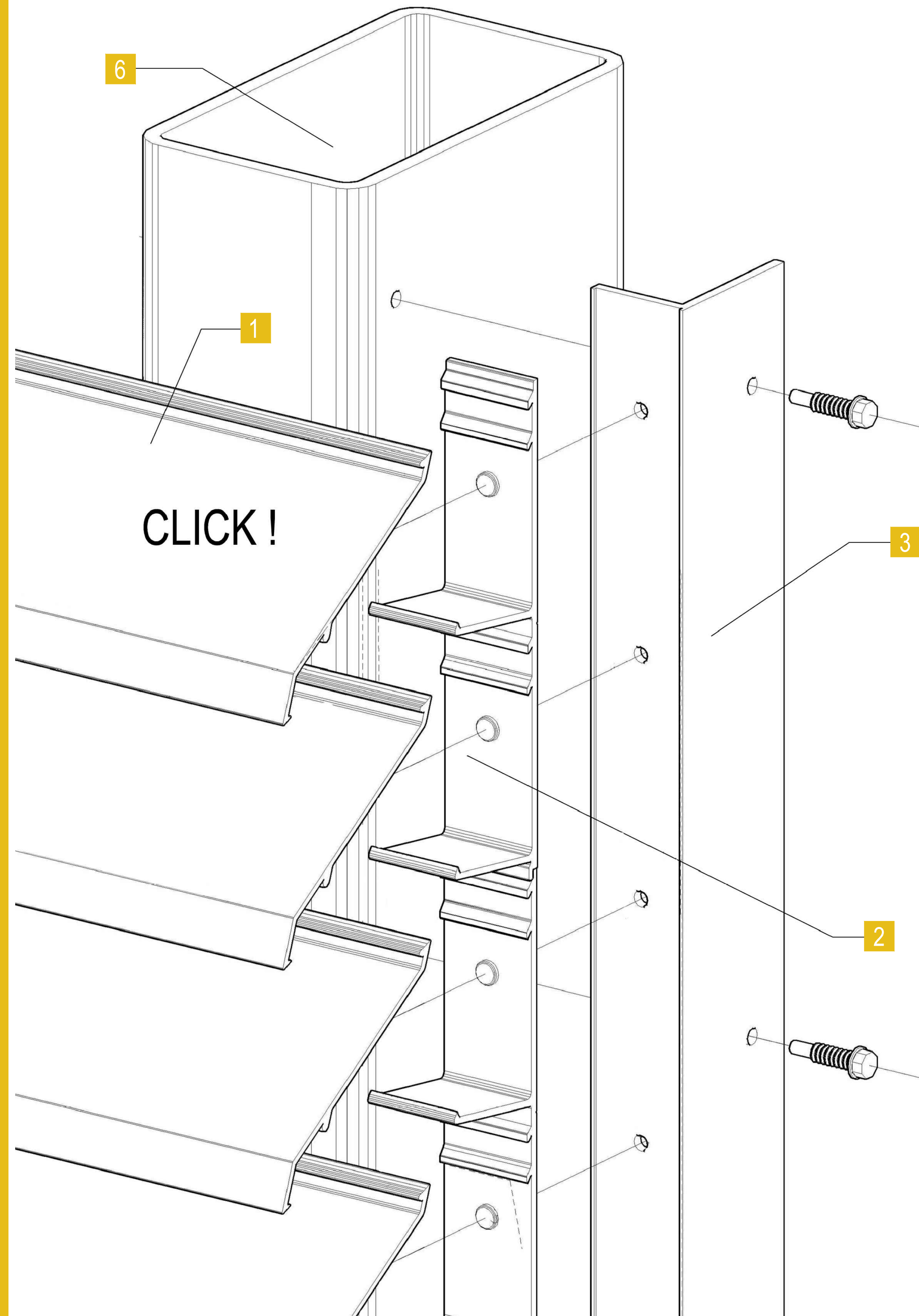
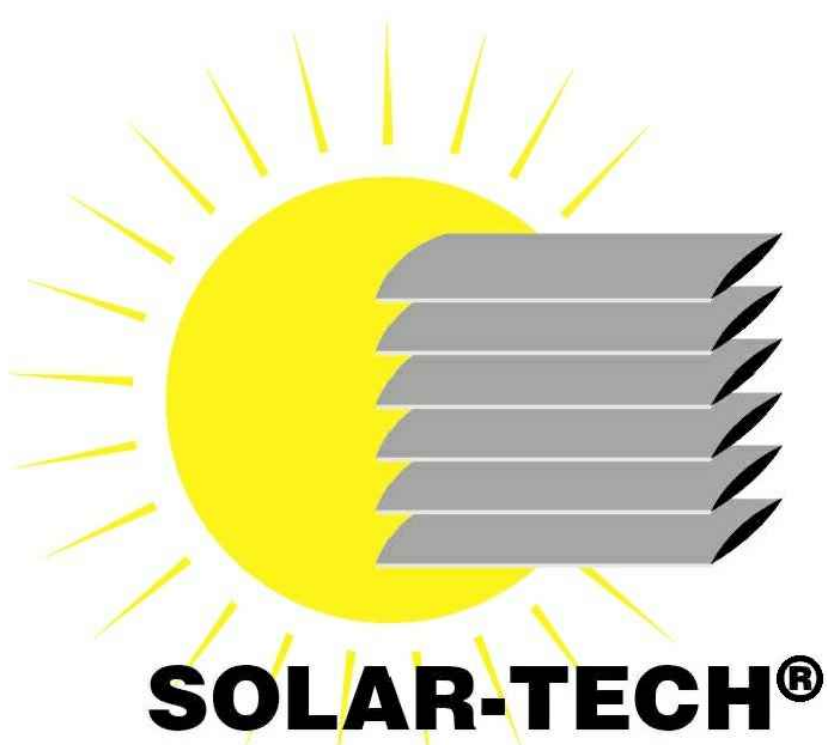
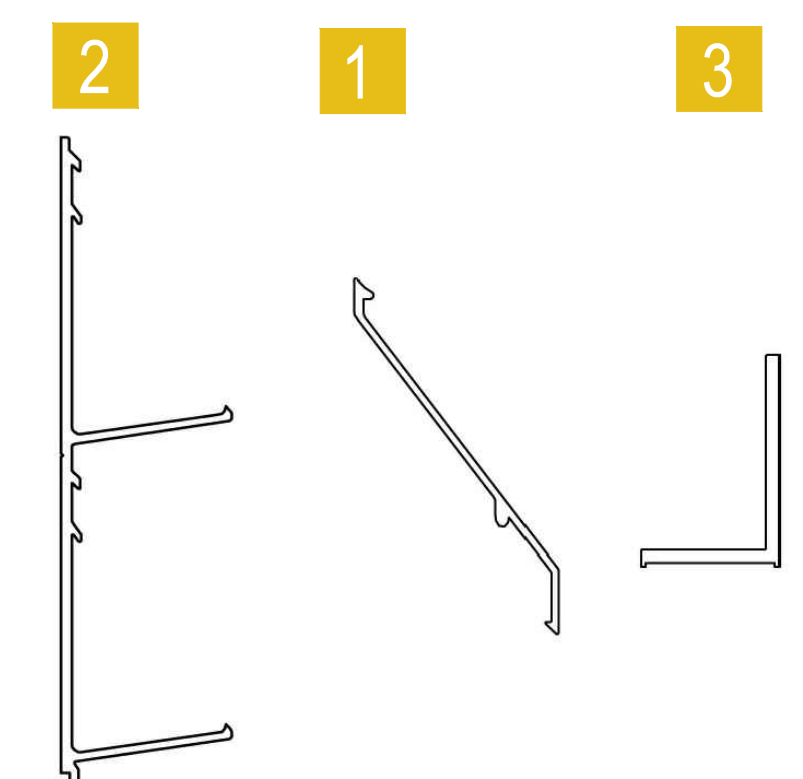
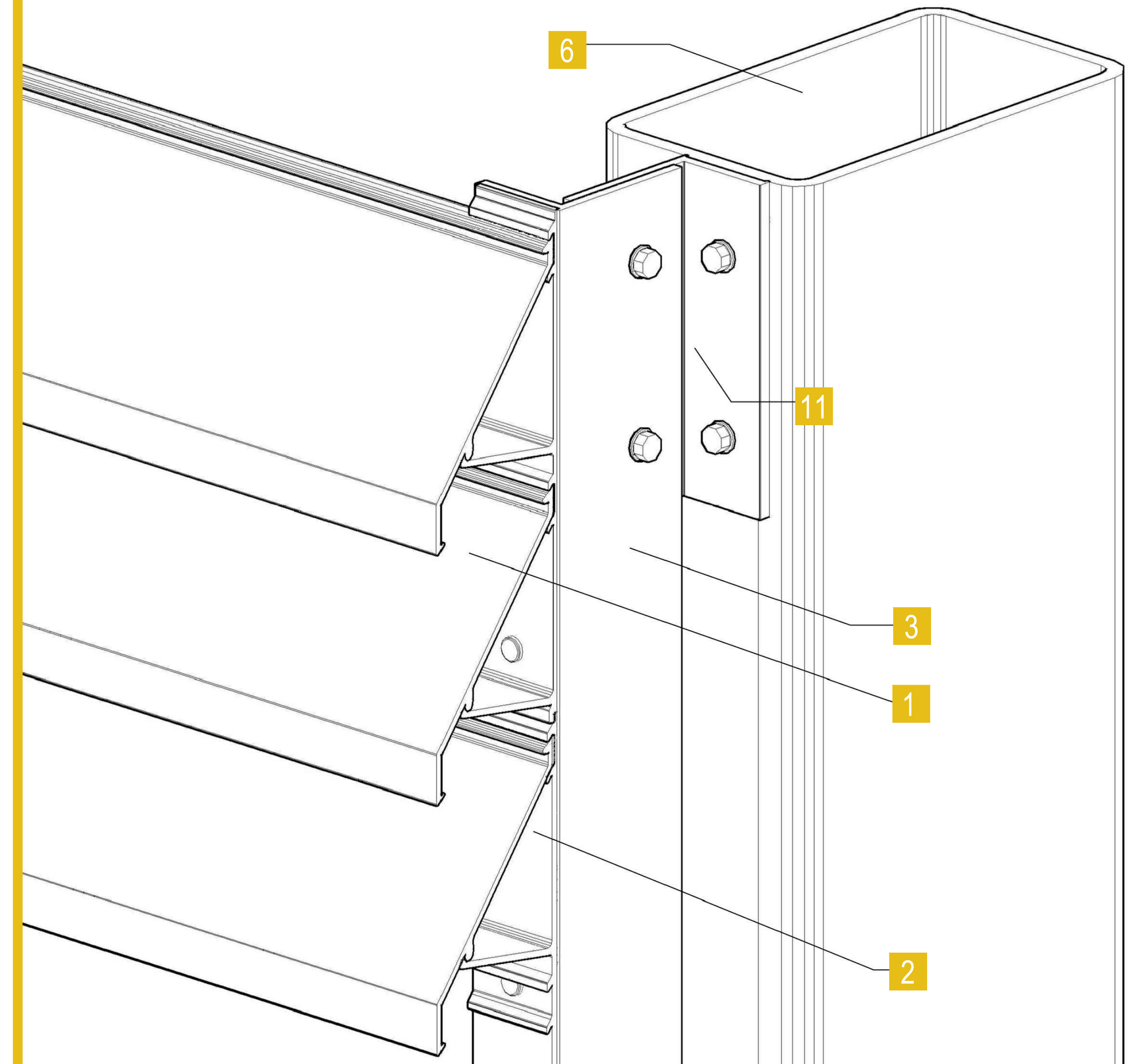
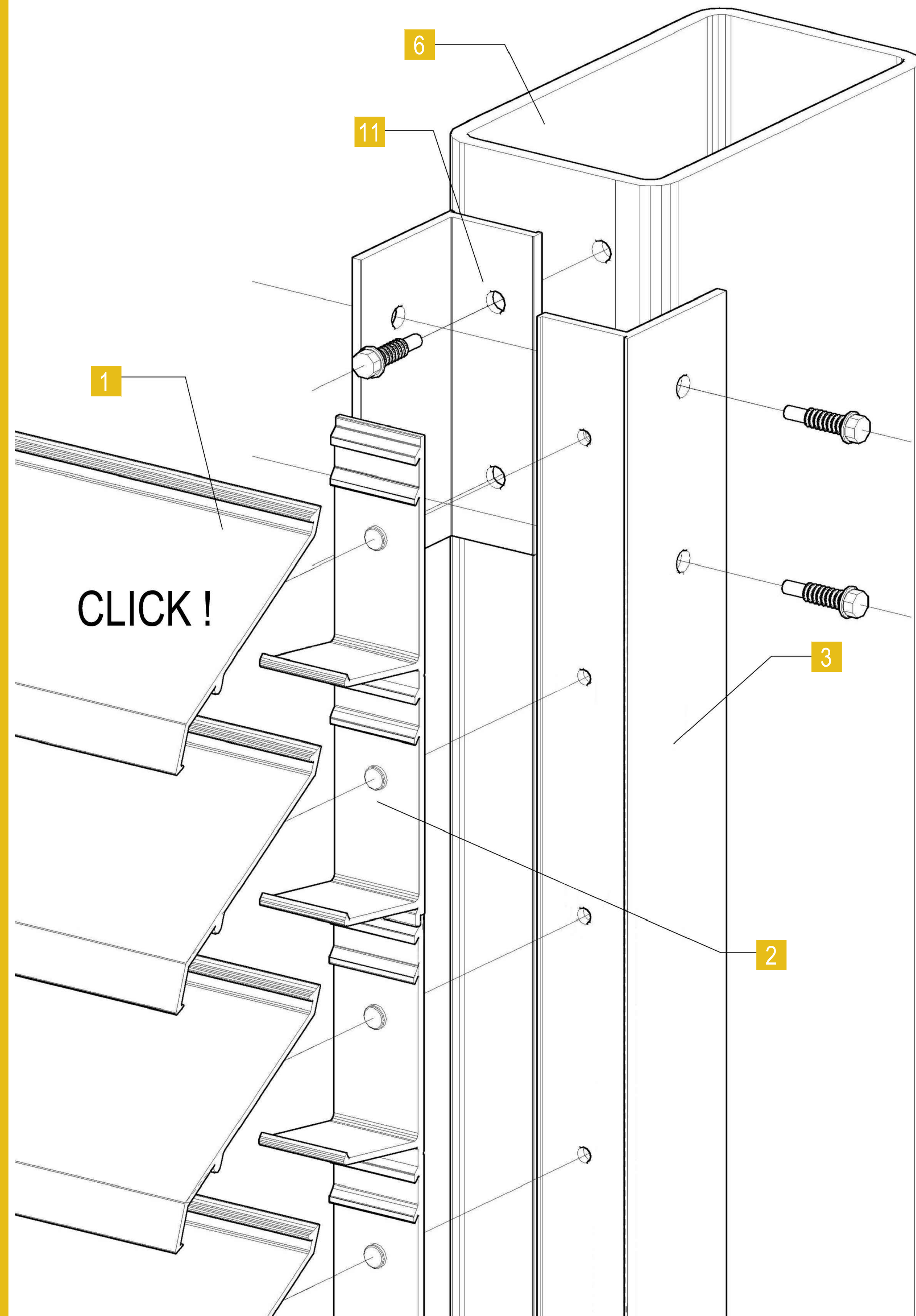


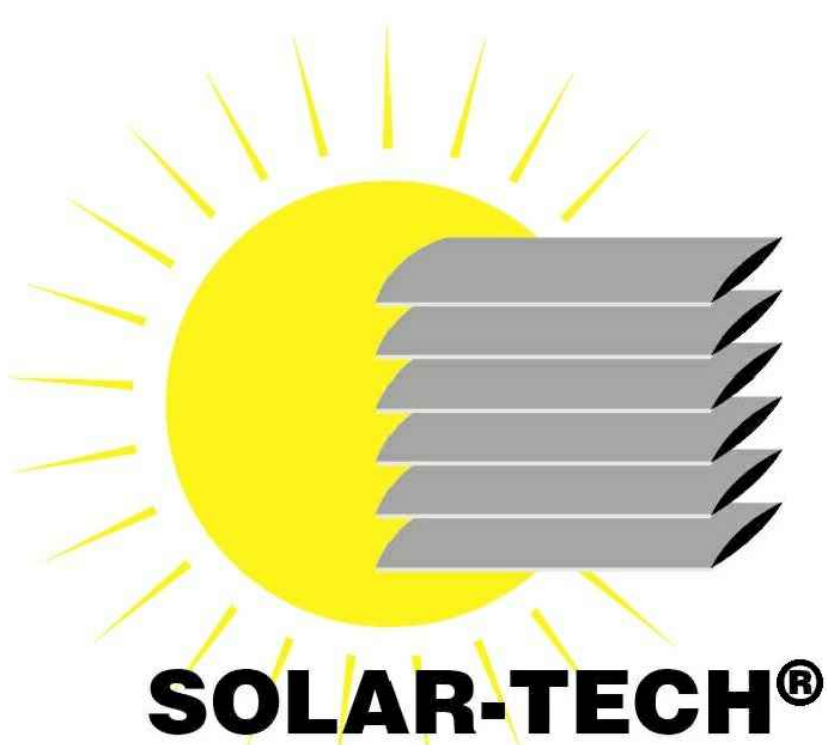
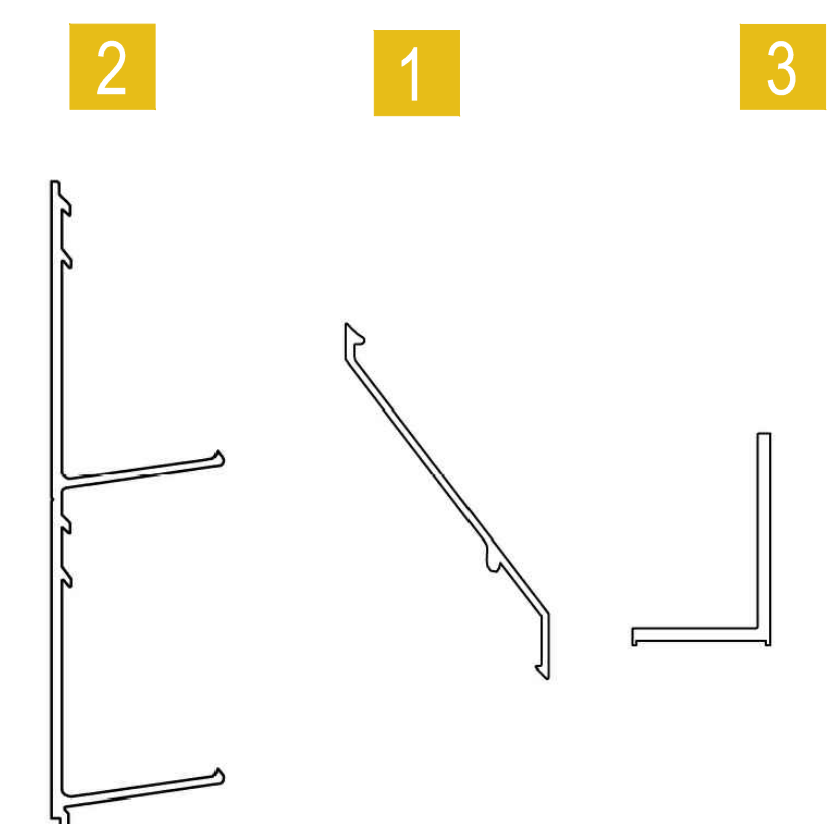
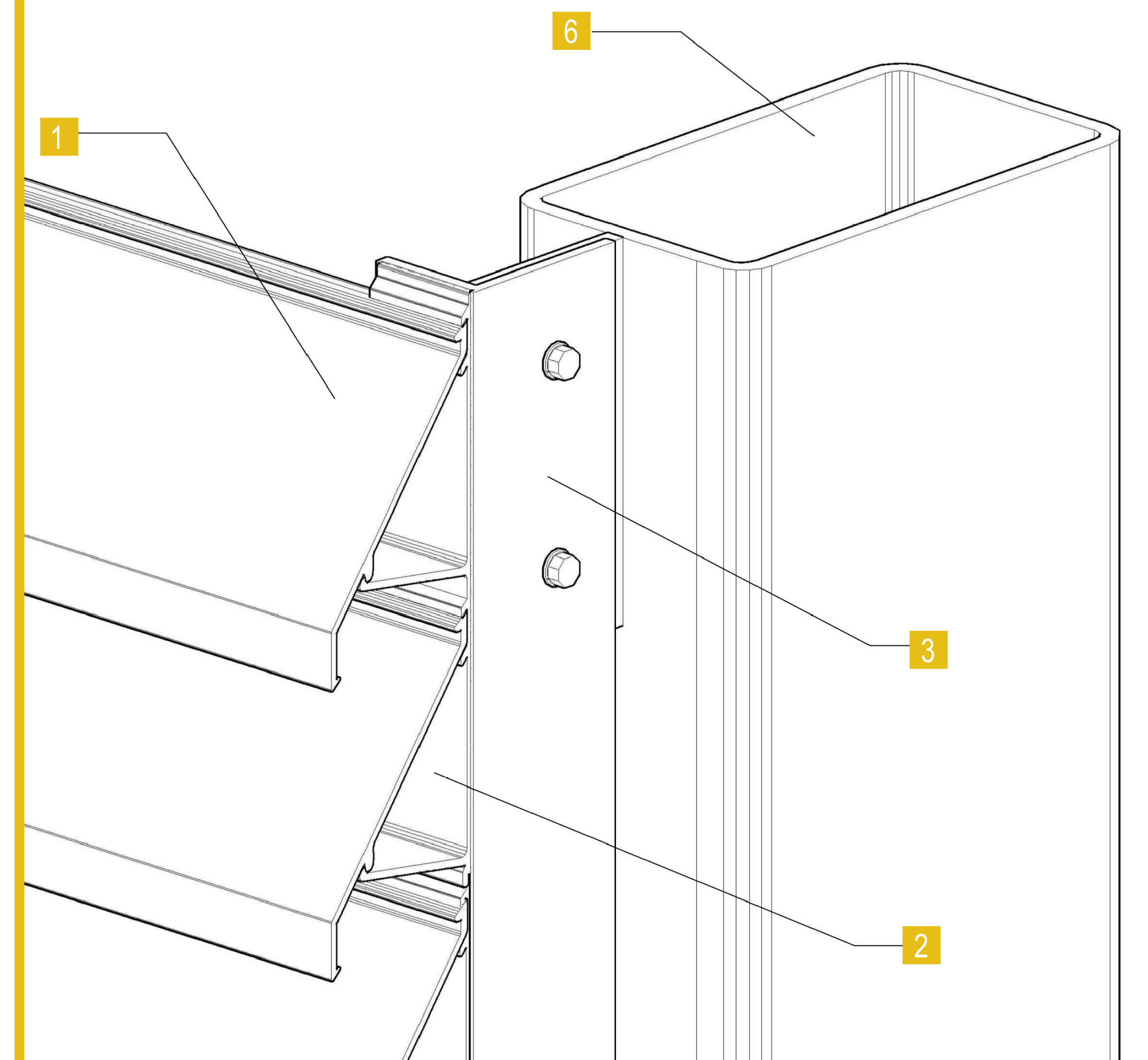
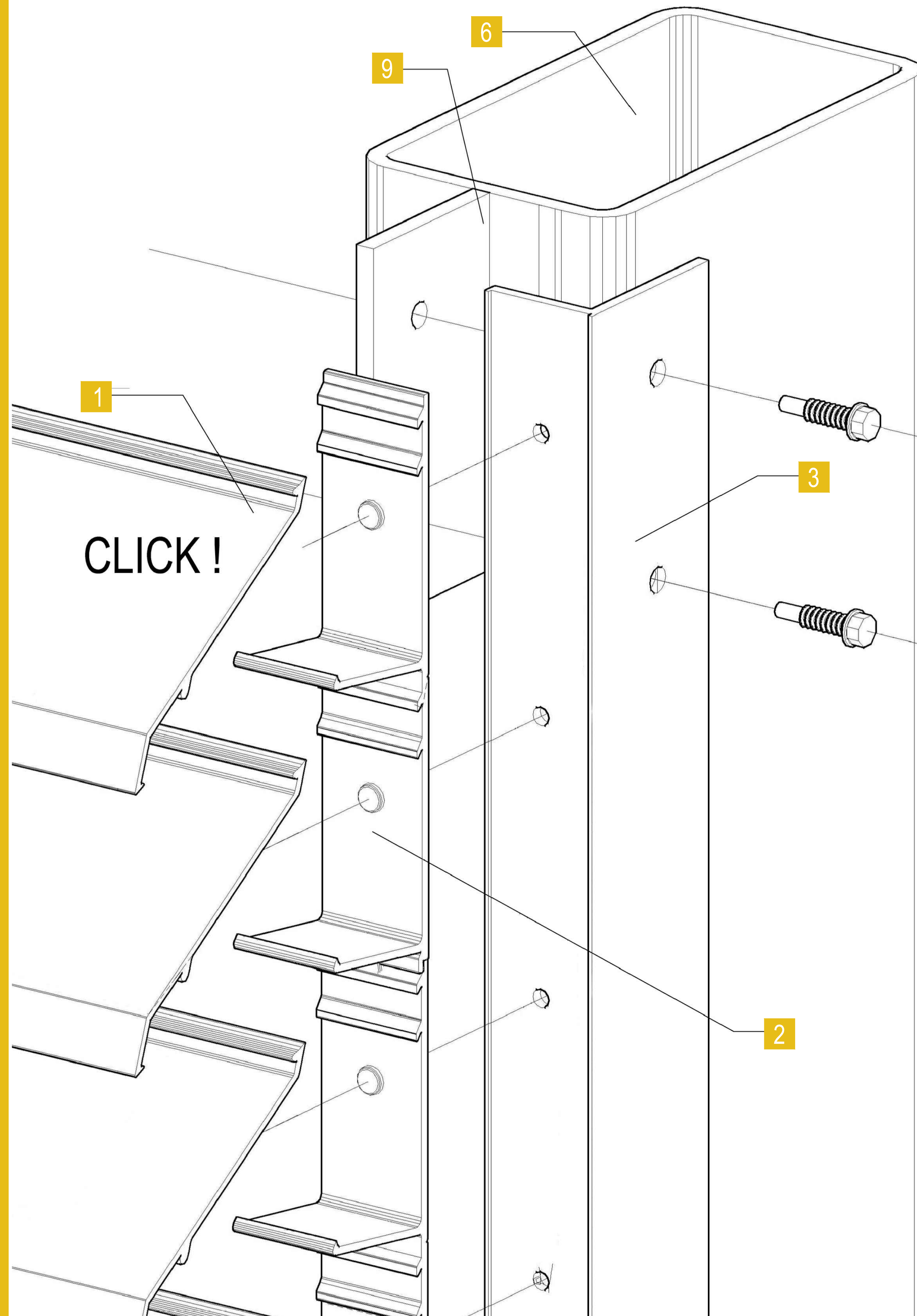
- 1 Aluminum profile Solar - Tech ST 75ZH
- 2 Aluminum profile Solar - Tech ST 75ZHG (GRIP)
- 3 Aluminum profile Solar - Tech ST L50Z
- 4 Load bearing bracket
- 5 Bracket for sliding connections
- 6 Steel post/pole
- 7 Dilatation 1 - 1,5 mm/m
- 8 Spacer
- 9 Welded bracket
- 10 Weld
- 11 Aluminum bracket



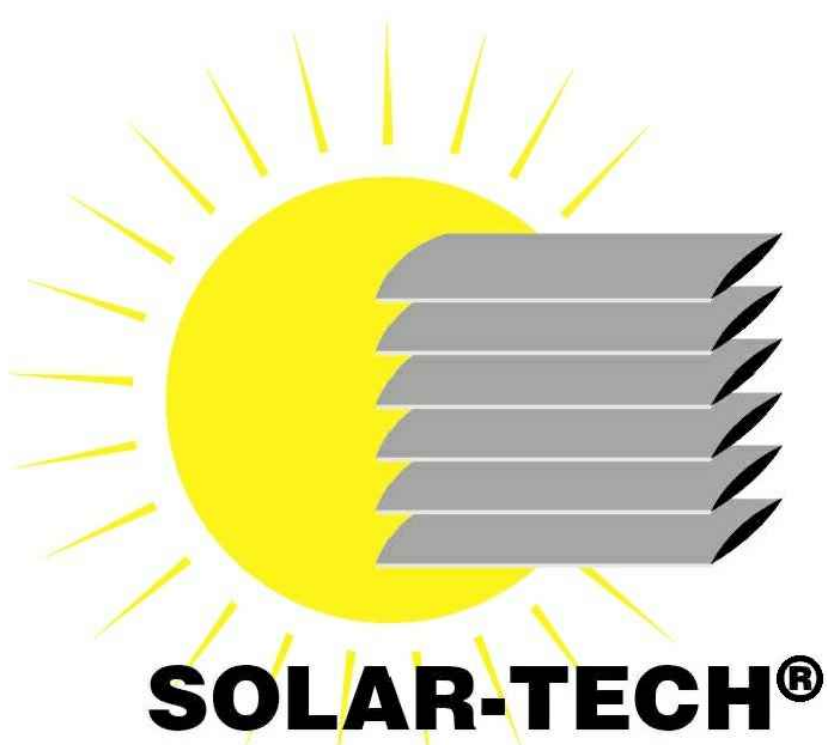
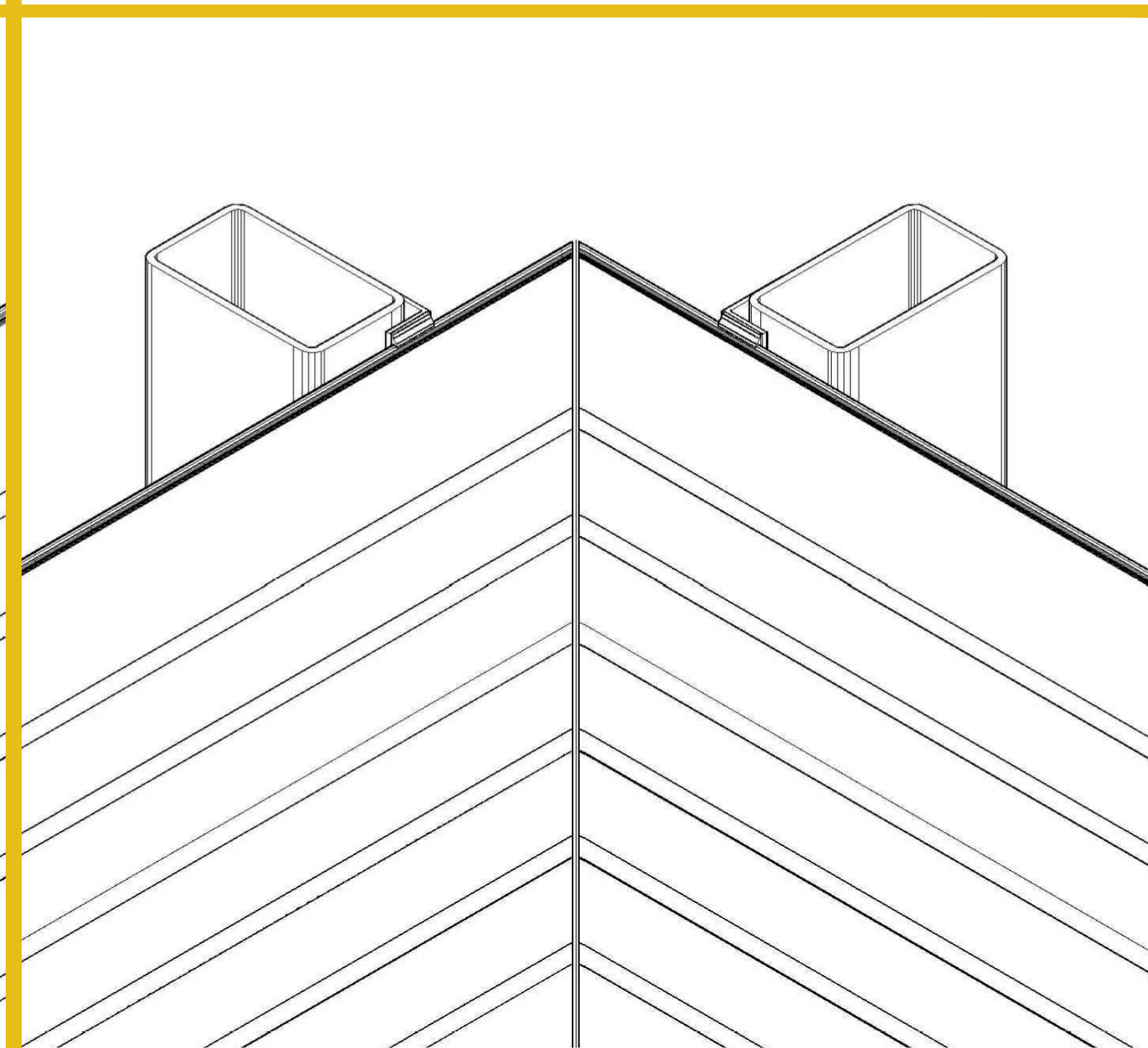
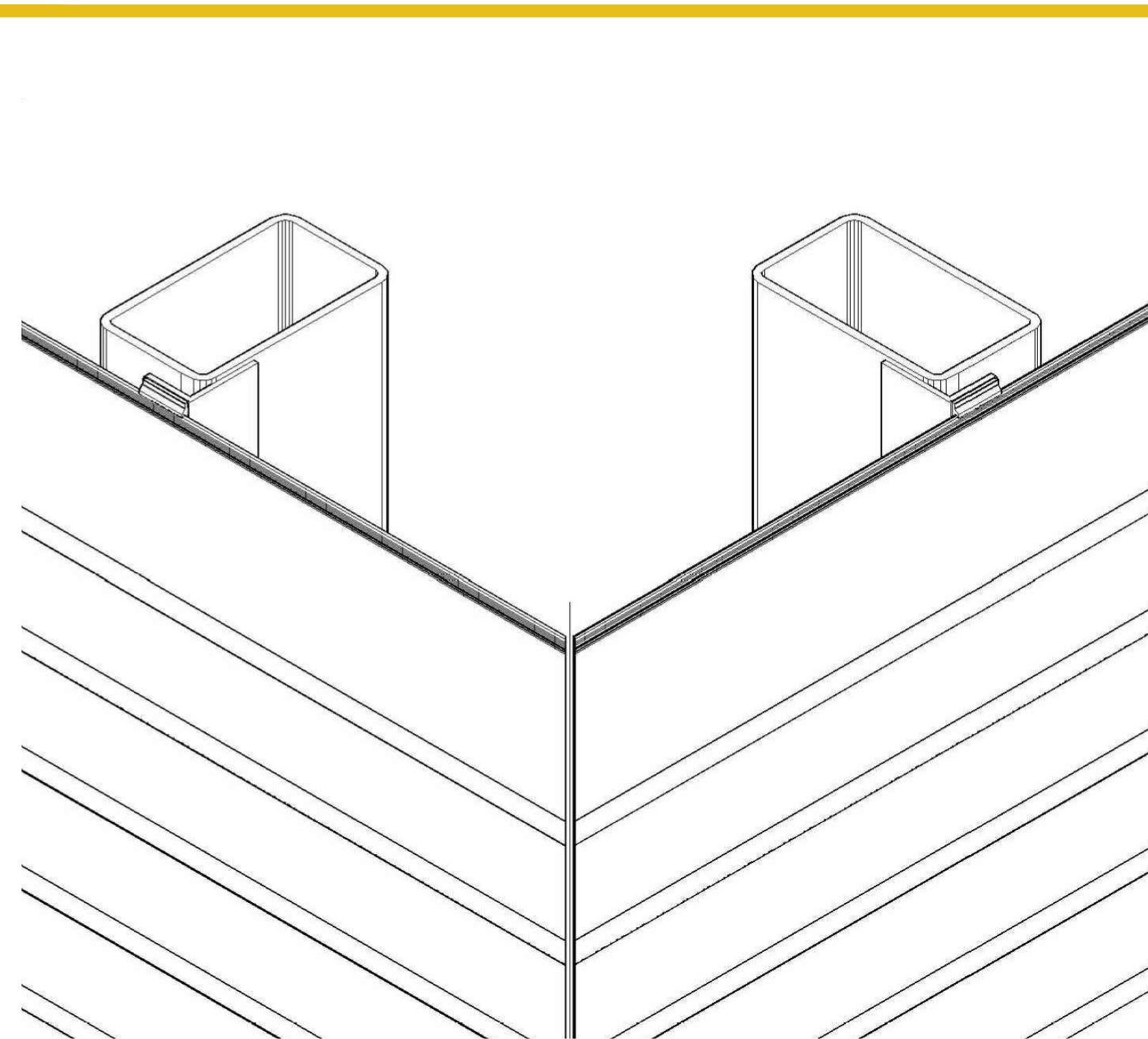
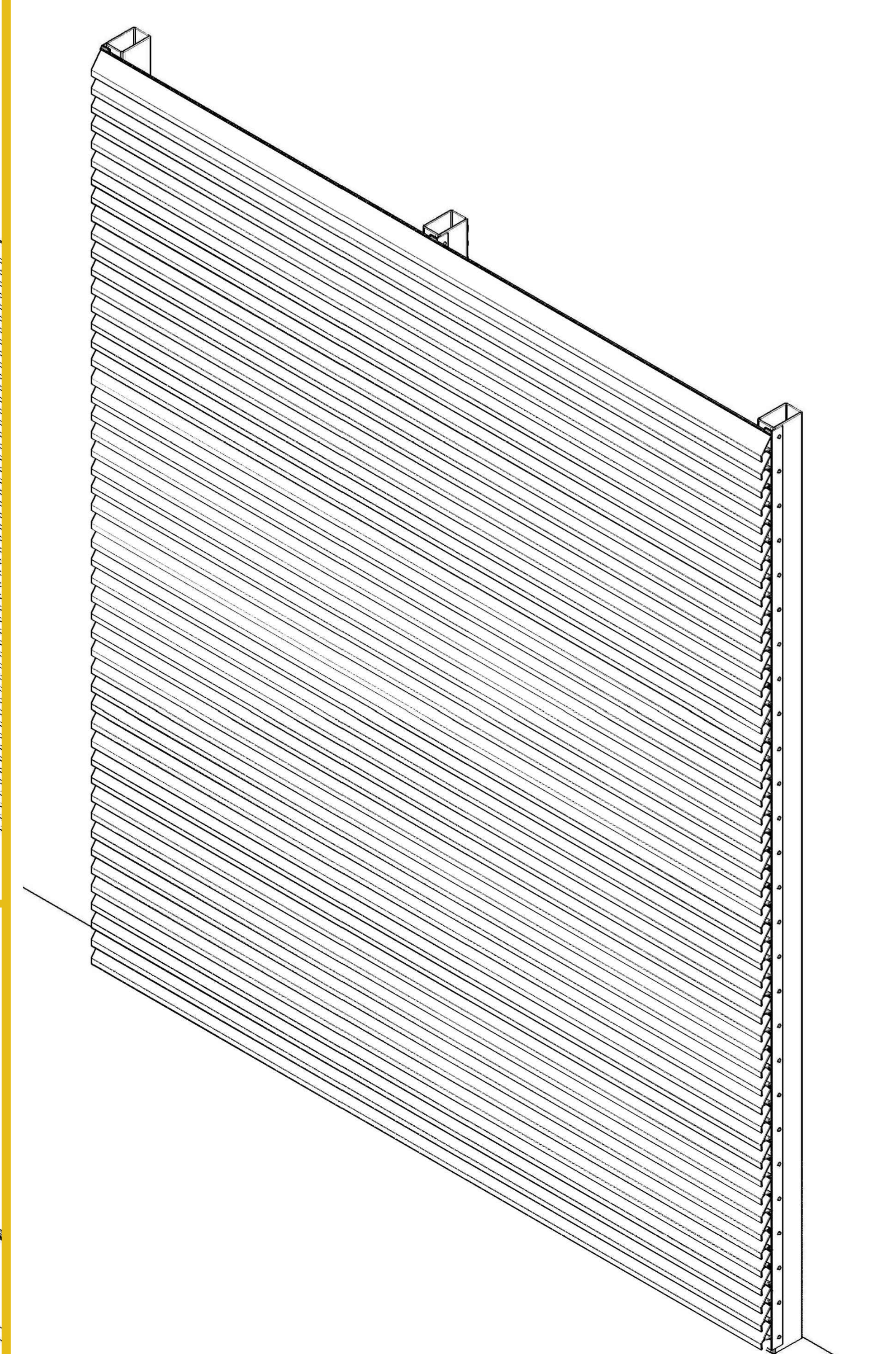
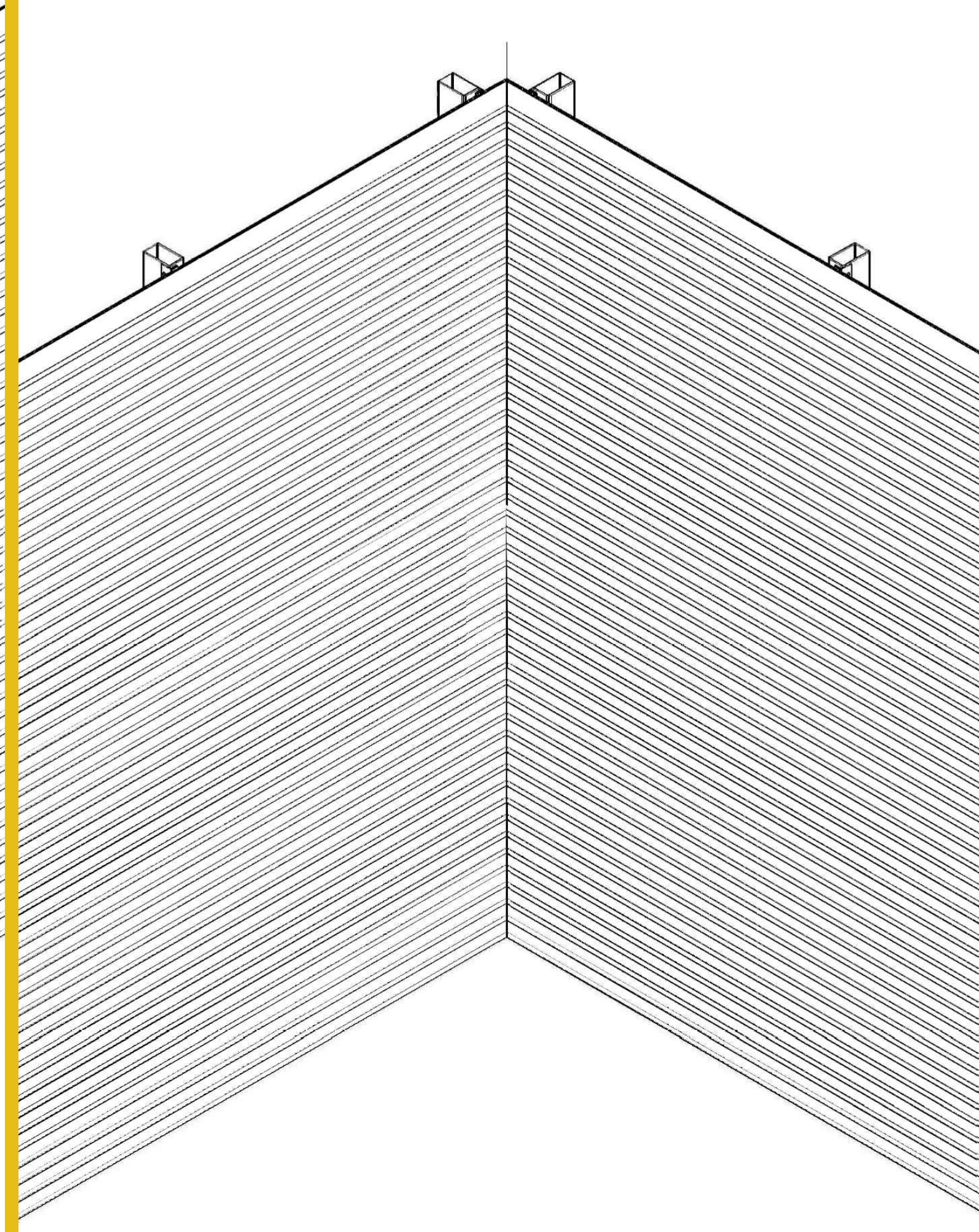
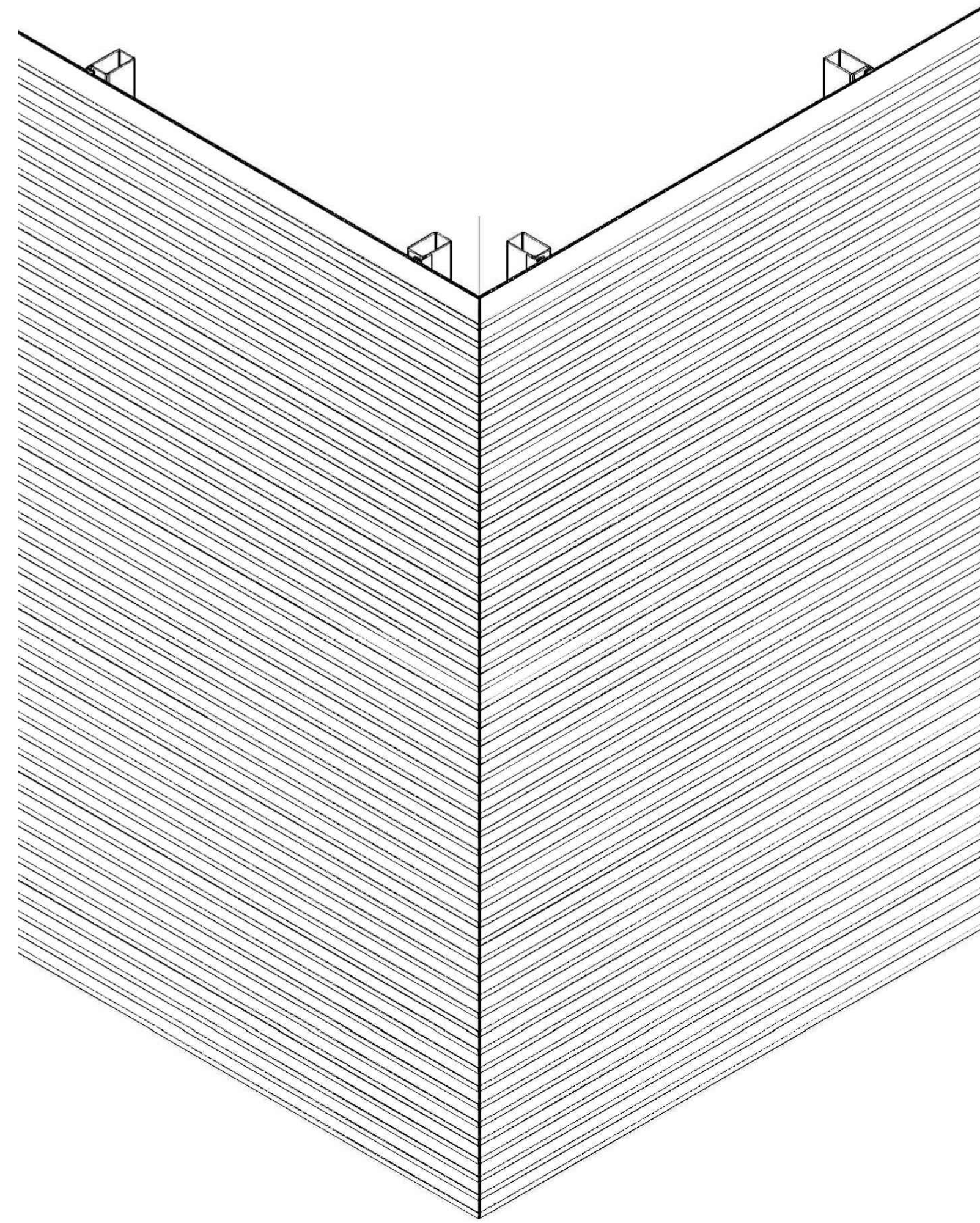
- 1 Aluminum profile Solar - Tech ST 75ZH
- 2 Aluminum profile Solar - Tech ST 75ZHG (GRIP)
- 3 Aluminum profile Solar - Tech ST L50Z
- 4 Load bearing bracket
- 5 Bracket for sliding connections
- 6 Steel post/pole
- 7 Dilatation 1 - 1,5 mm/m
- 8 Spacer
- 9 Welded bracket
- 10 Weld
- 11 Aluminum bracket



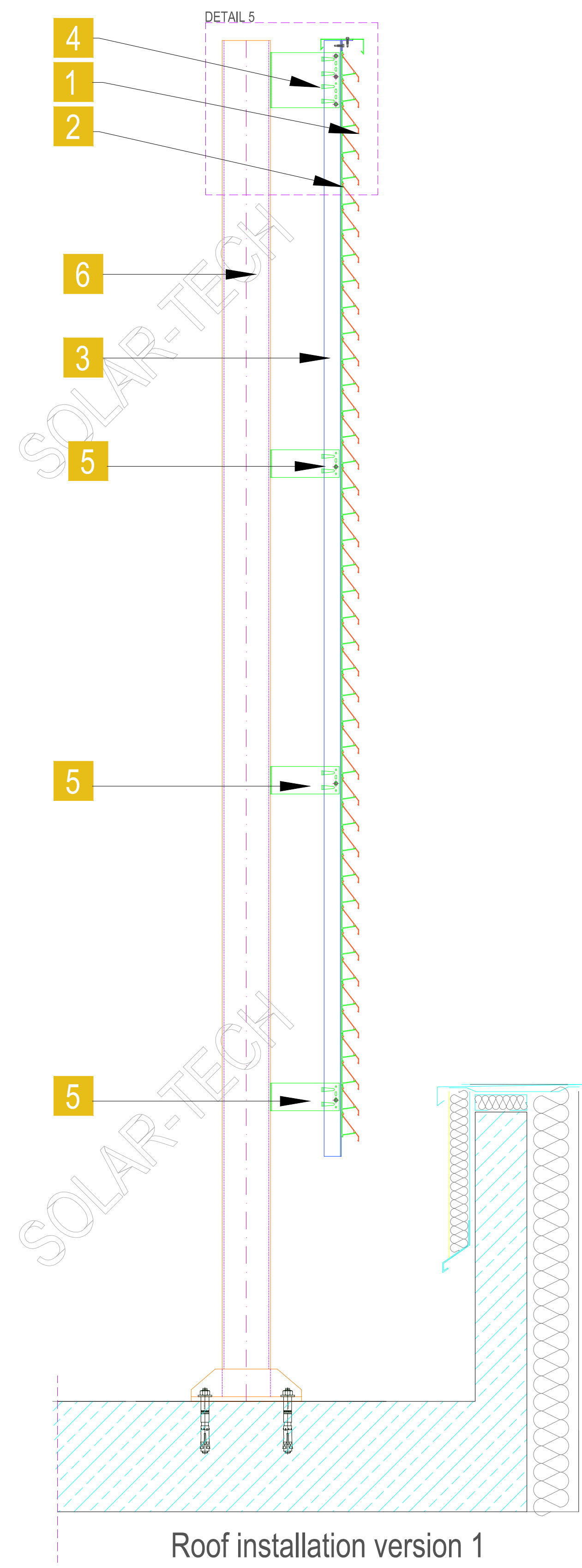
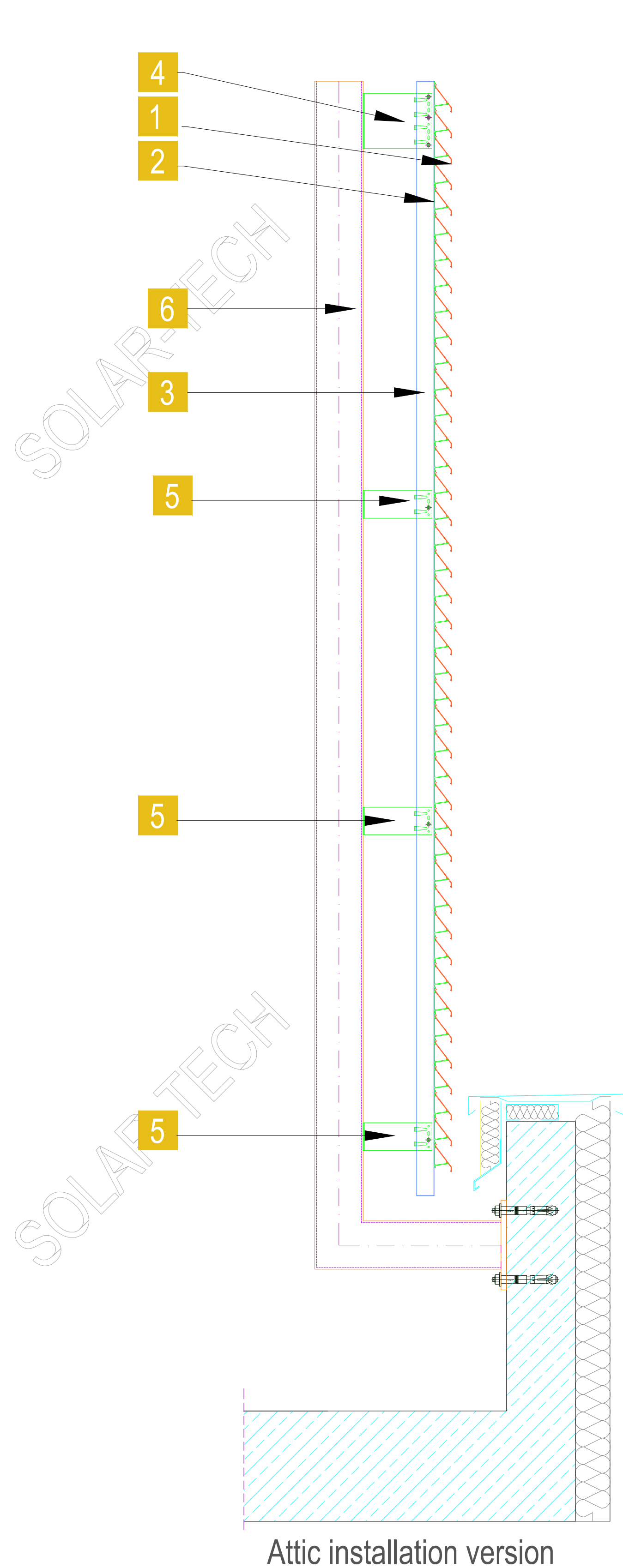
- 1 Aluminum profile Solar - Tech ST 75ZH
- 2 Aluminum profile Solar - Tech ST 75ZH (GRIP)
- 3 Aluminum profile Solar - Tech ST L50Z
- 4 Load bearing bracket
- 5 Bracket for sliding connections
- 6 Steel post/pole
- 7 Dilatation 1 - 1,5 mm/m
- 8 Spacer
- 9 Welded bracket
- 10 Weld
- 11 Aluminum bracket



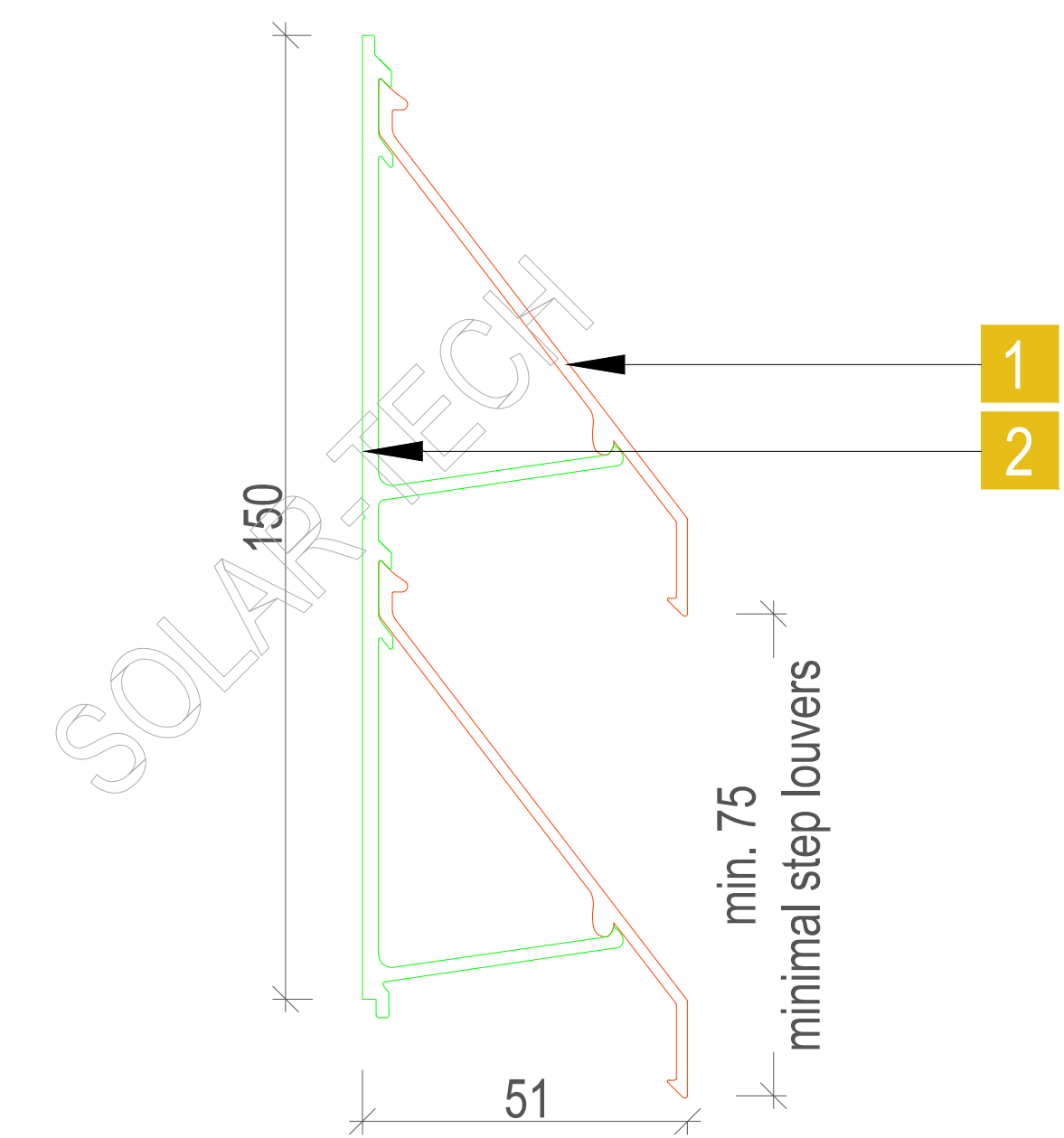
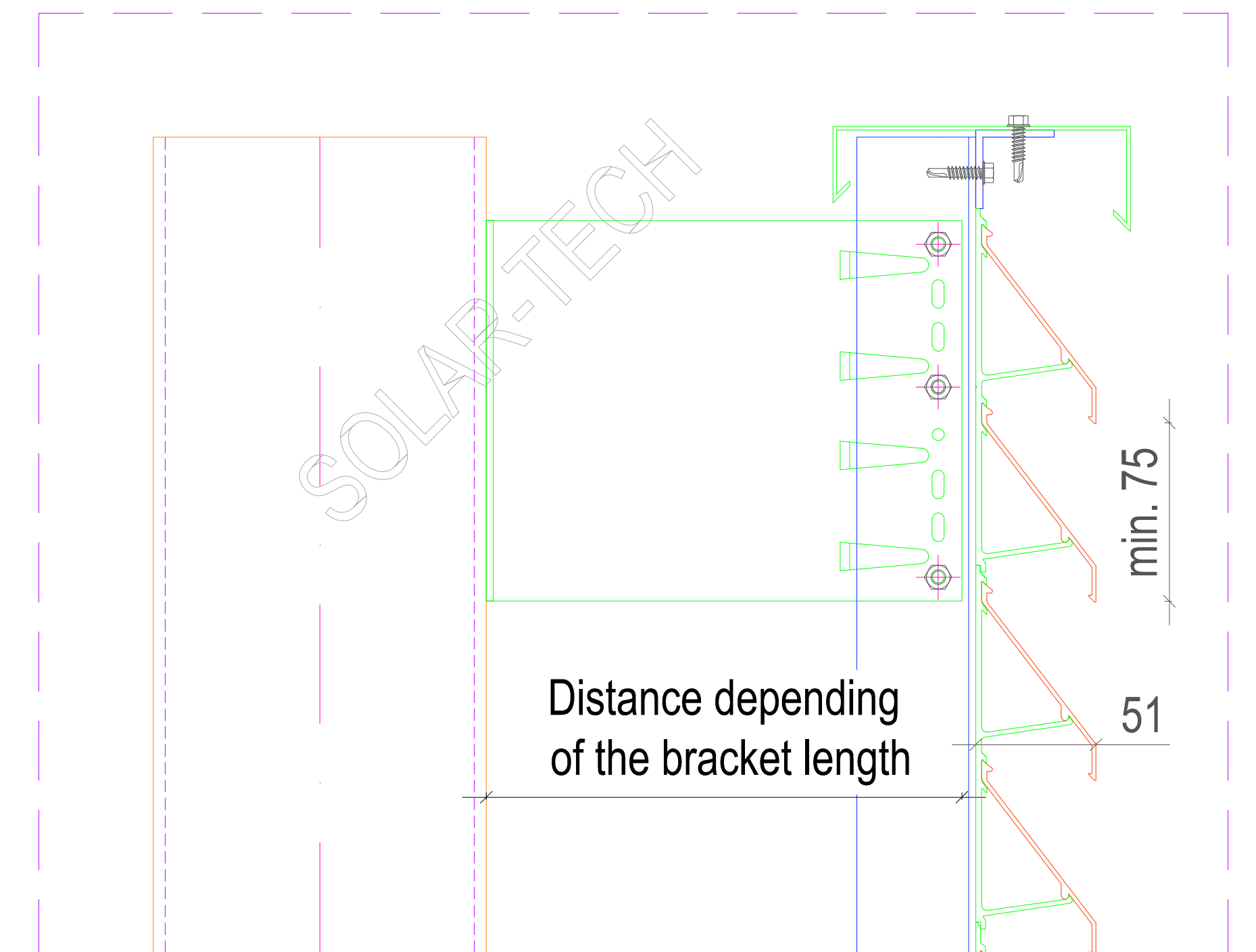
- 1 Aluminum profile Solar - Tech ST 75ZH
- 2 Aluminum profile Solar - Tech ST 75ZHG (GRIP)
- 3 Aluminum profile Solar - Tech ST L50Z
- 4 Load bearing bracket
- 5 Bracket for sliding connections
- 6 Steel post/pole
- 7 Dilatation 1 - 1,5 mm/m
- 8 Spacer
- 9 Welded bracket
- 10 Weld
- 11 Aluminum bracket



- 1 Aluminum profile Solar - Tech ST 75ZH
- 2 Aluminum profile Solar - Tech ST 75ZH(GRIP)
- 3 Aluminum profile Solar - Tech ST L50Z
- 4 Load bearing bracket
- 5 Bracket for sliding connections
- 6 Steel post/pole
- 7 Dilatation 1 - 1,5 mm/m
- 8 Spacer
- 9 Welded bracket
- 10 Weld
- 11 Aluminum bracket



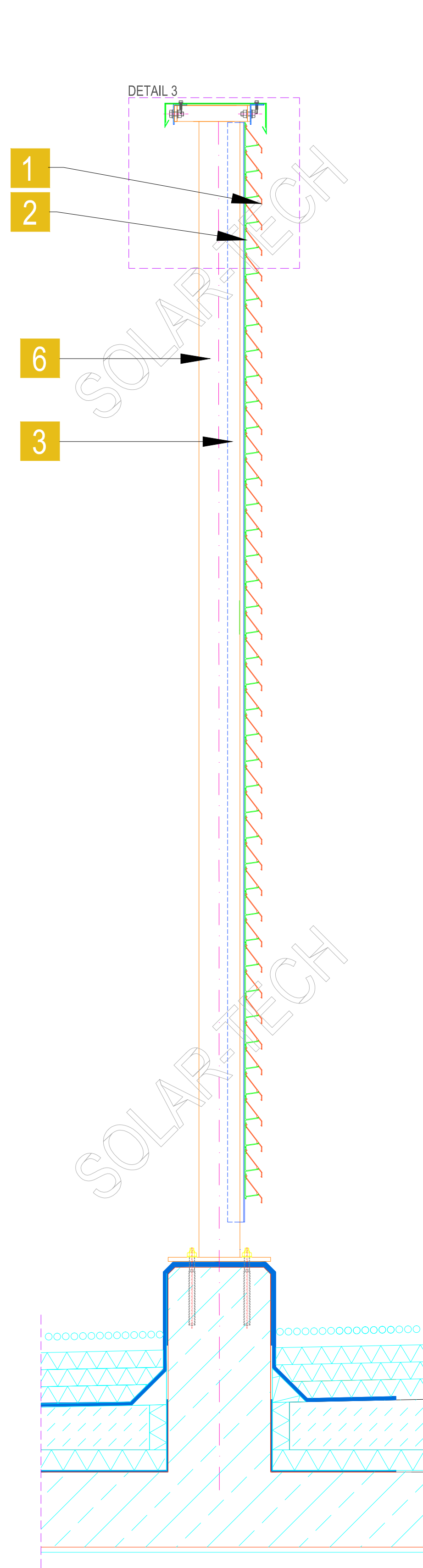
DETAIL 5.
Top covering



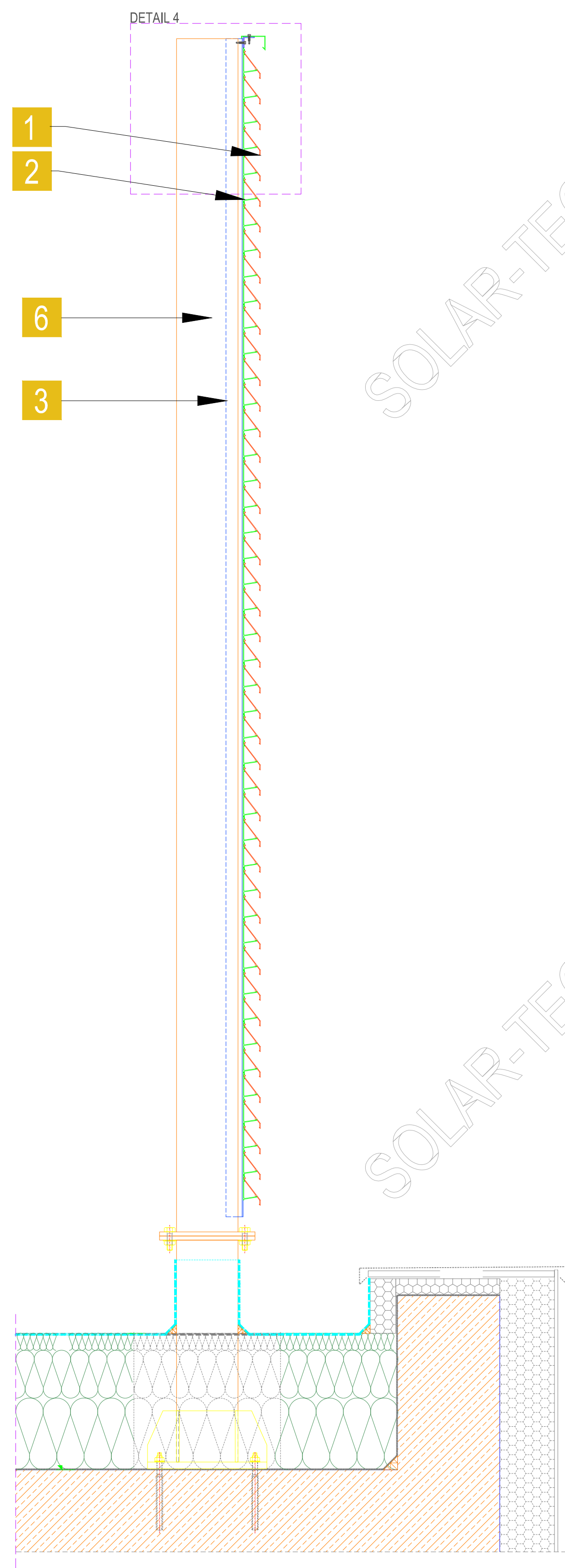
CAUTION!

Presented solutions are only a sample. In any doubts, please contact the Solar - Tech company. Pole and beams shape and sizes according to the technical calculation.

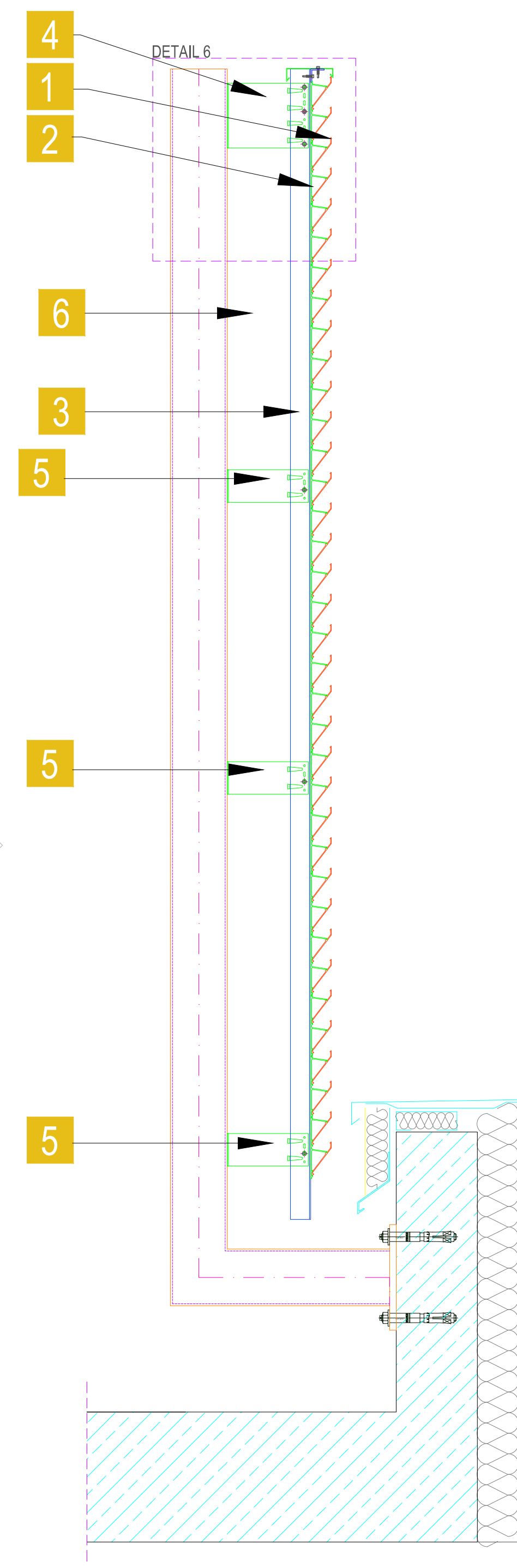
- 1 Aluminum profile Solar - Tech ST 75ZH
- 2 Aluminum profile Solar - Tech ST 75ZH(GRIP)
- 3 Aluminum profile Solar - Tech ST L50Z
- 4 Load bearing bracket
- 5 Bracket for sliding connections
- 6 Steel post/pole
- 7 Dilatation 1 - 1,5 mm/m
- 8 Spacer
- 9 Welded bracket
- 10 Weld
- 11 Aluminum bracket



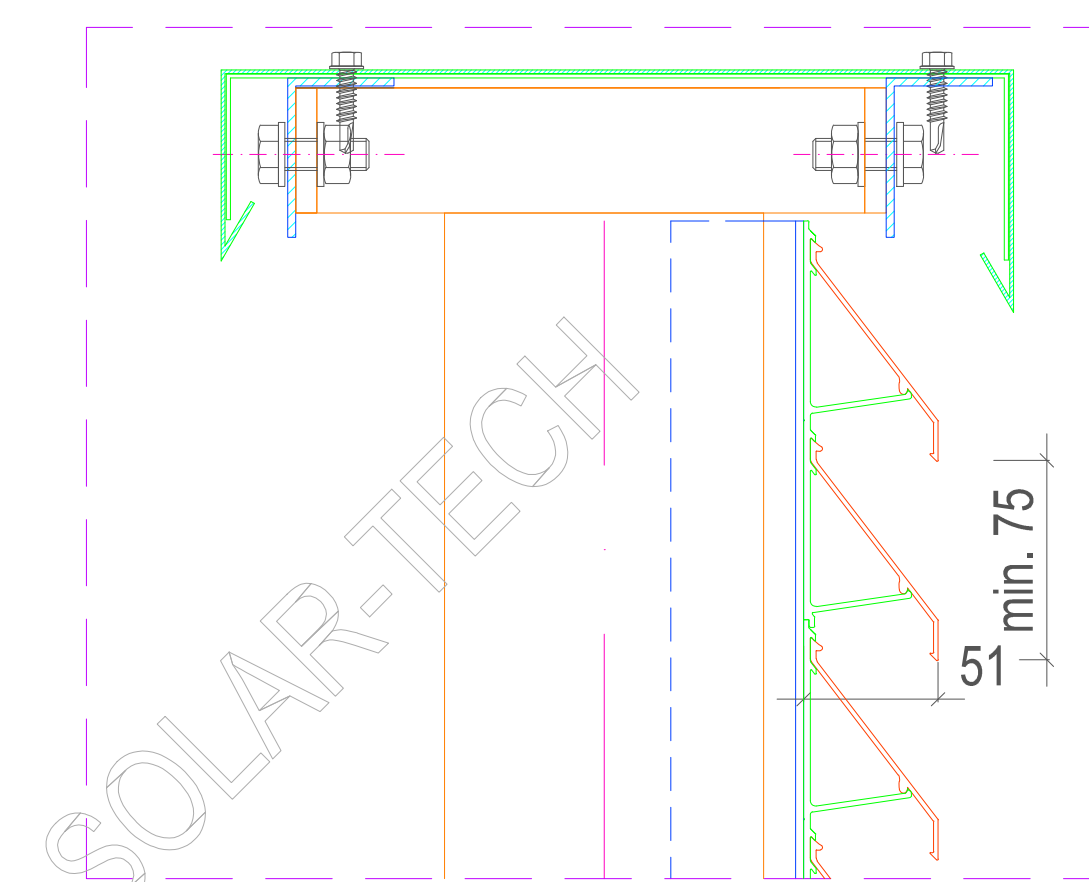
Roof installation version 2



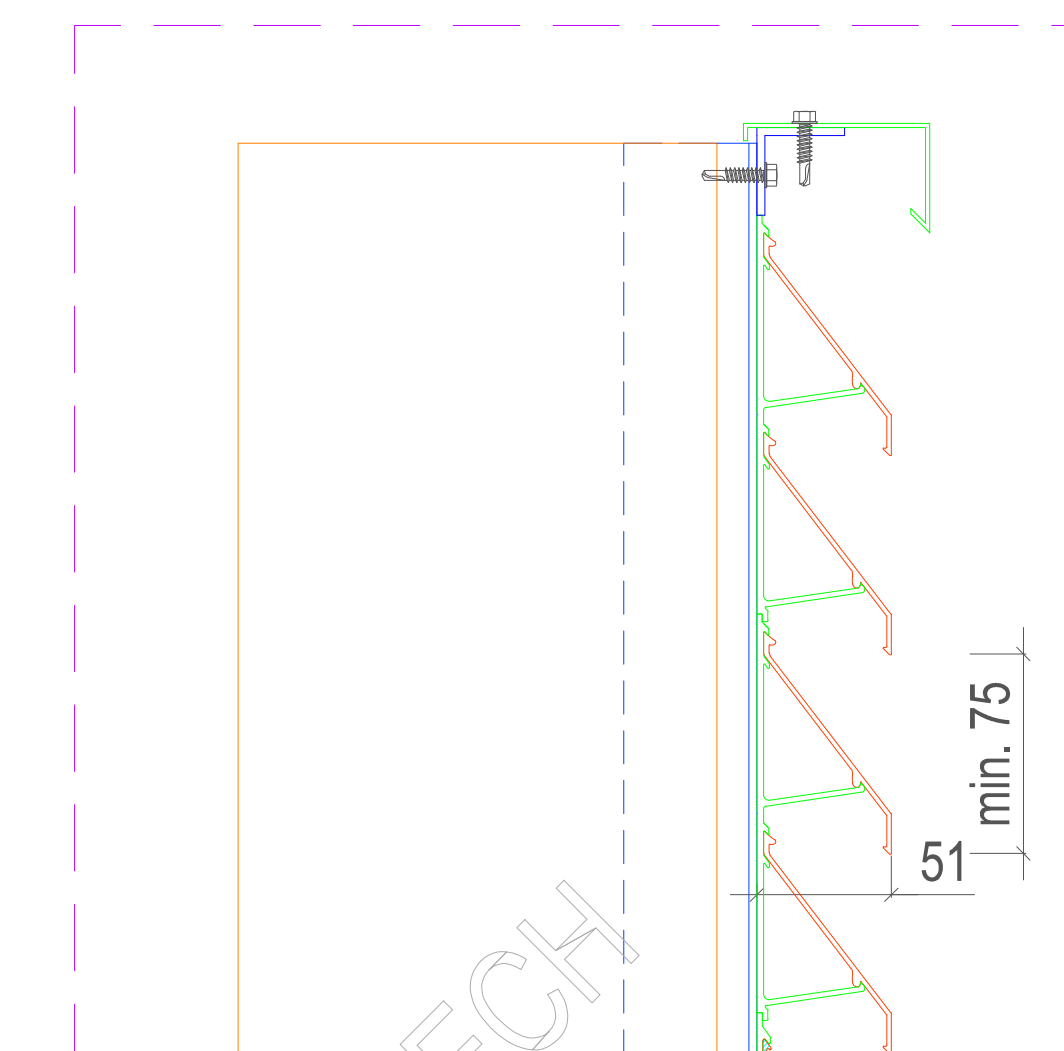
Roof installation version 3
Steel construction divided.



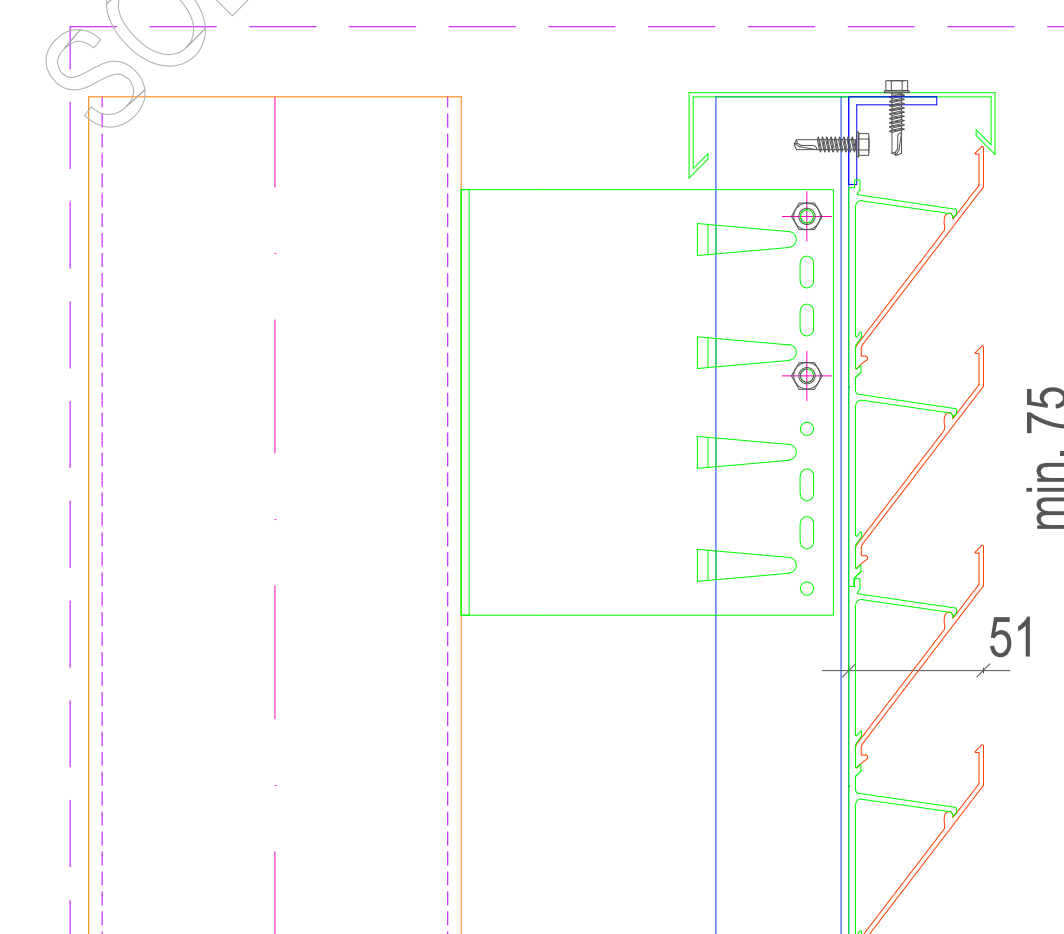
Attic installation version



DETAIL 3.
Covering ver. 1



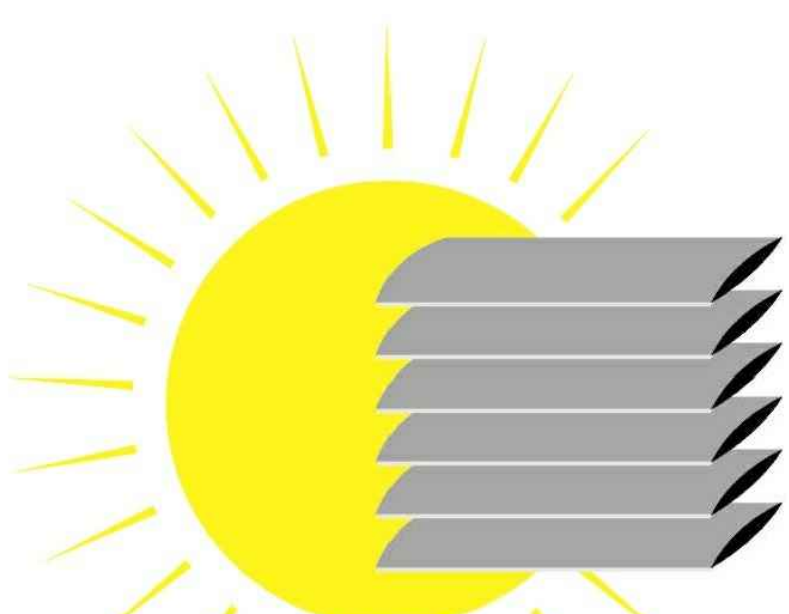
DETAIL 4.
Covering ver. 2



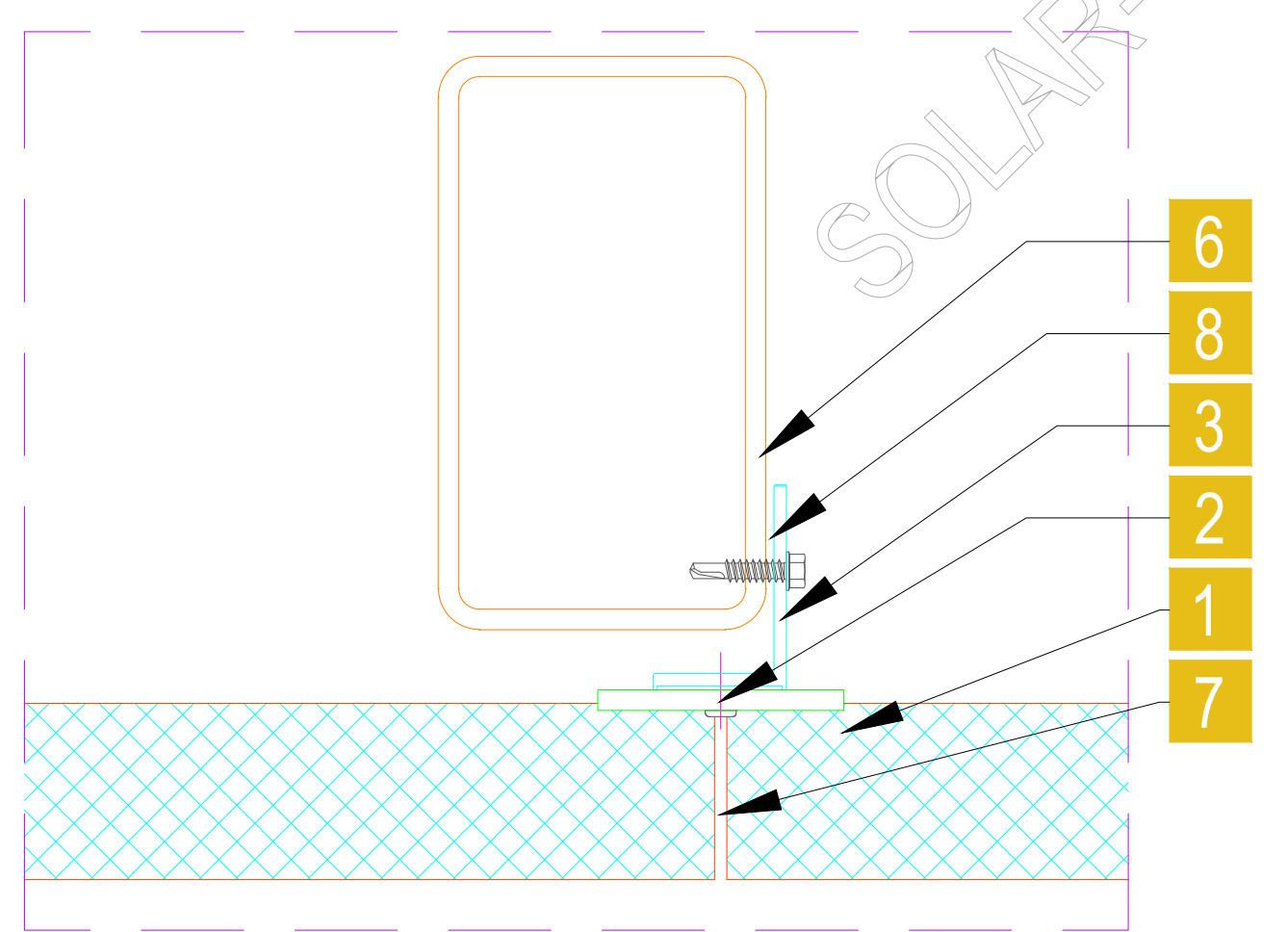
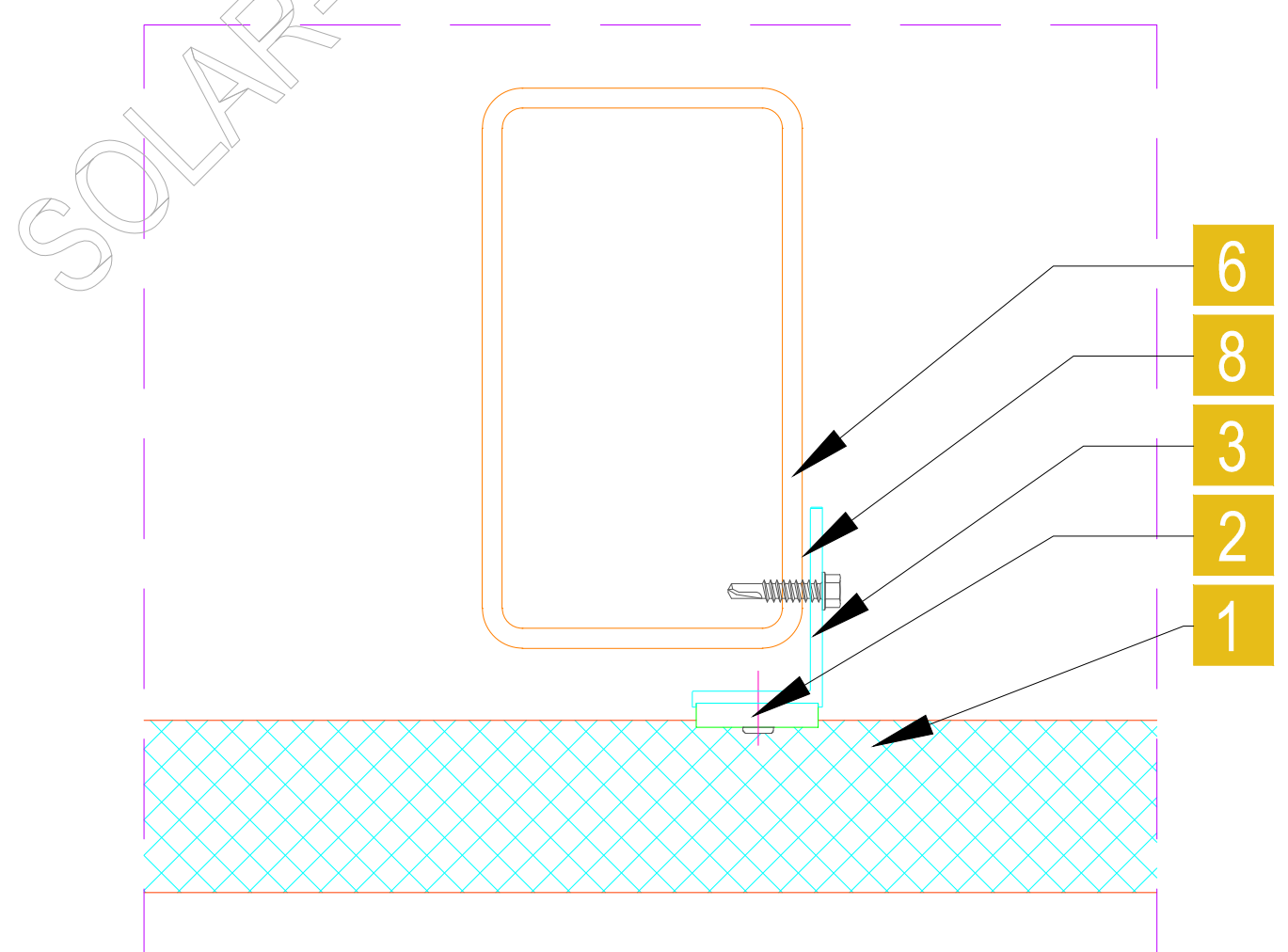
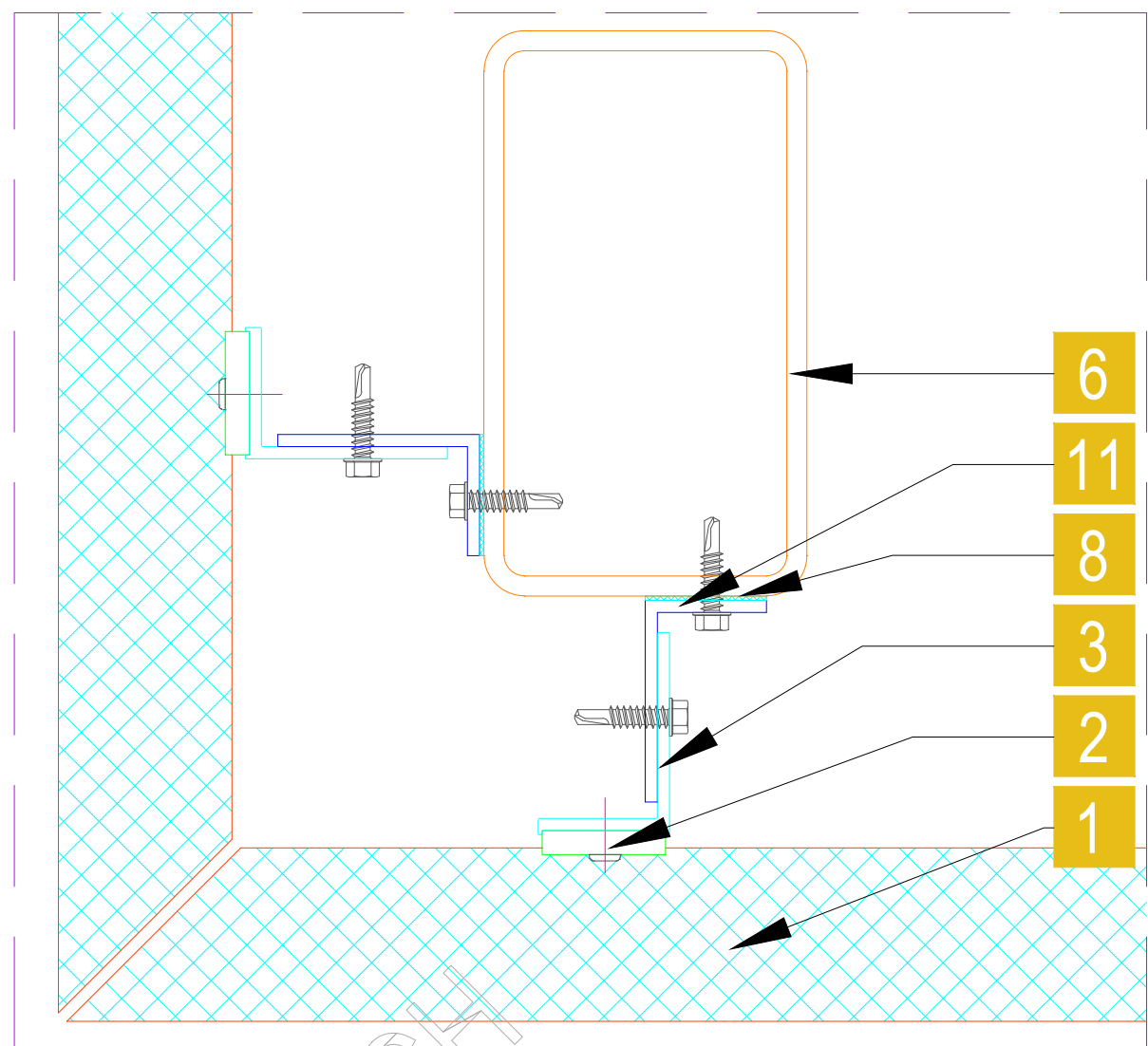
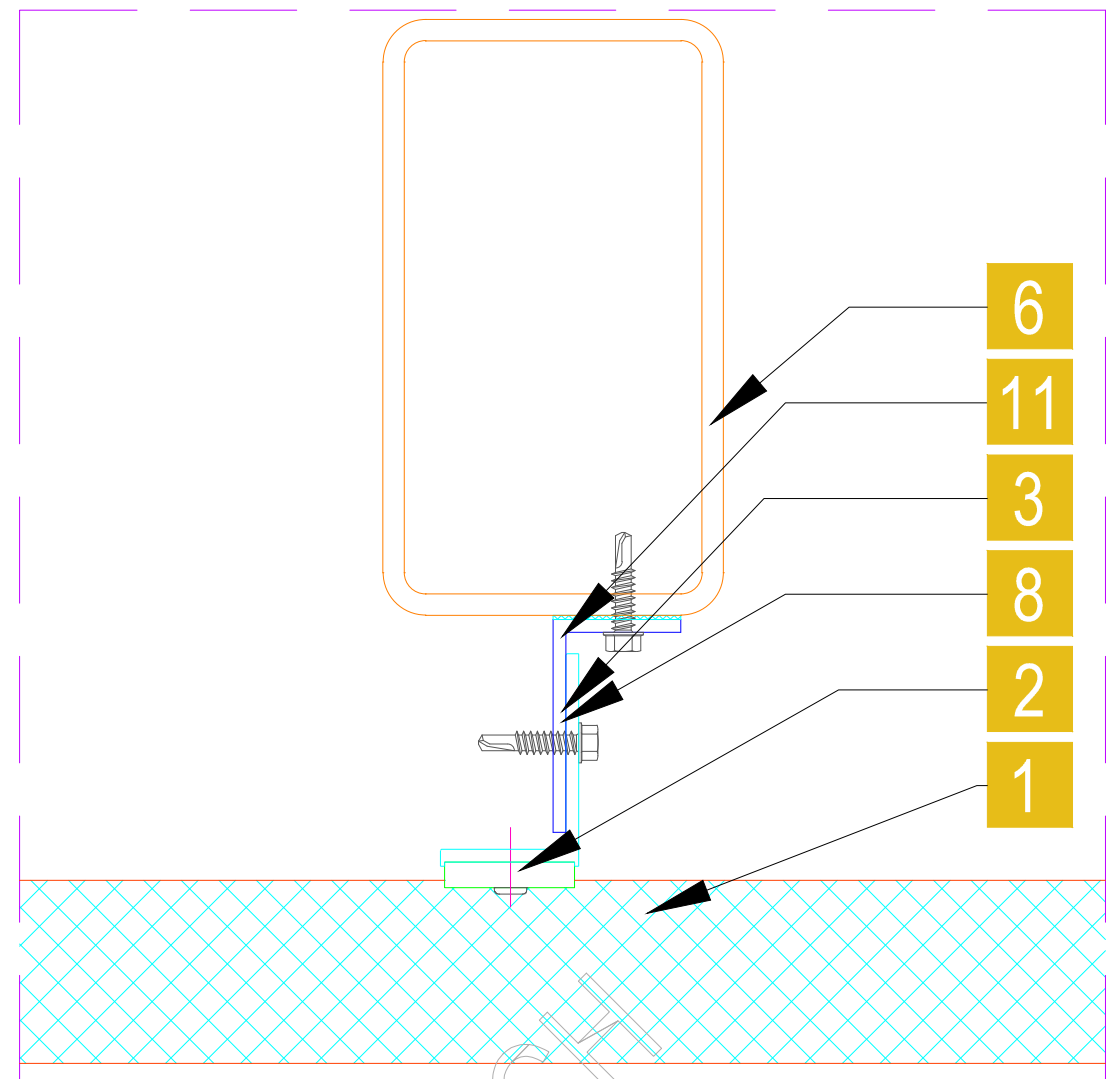
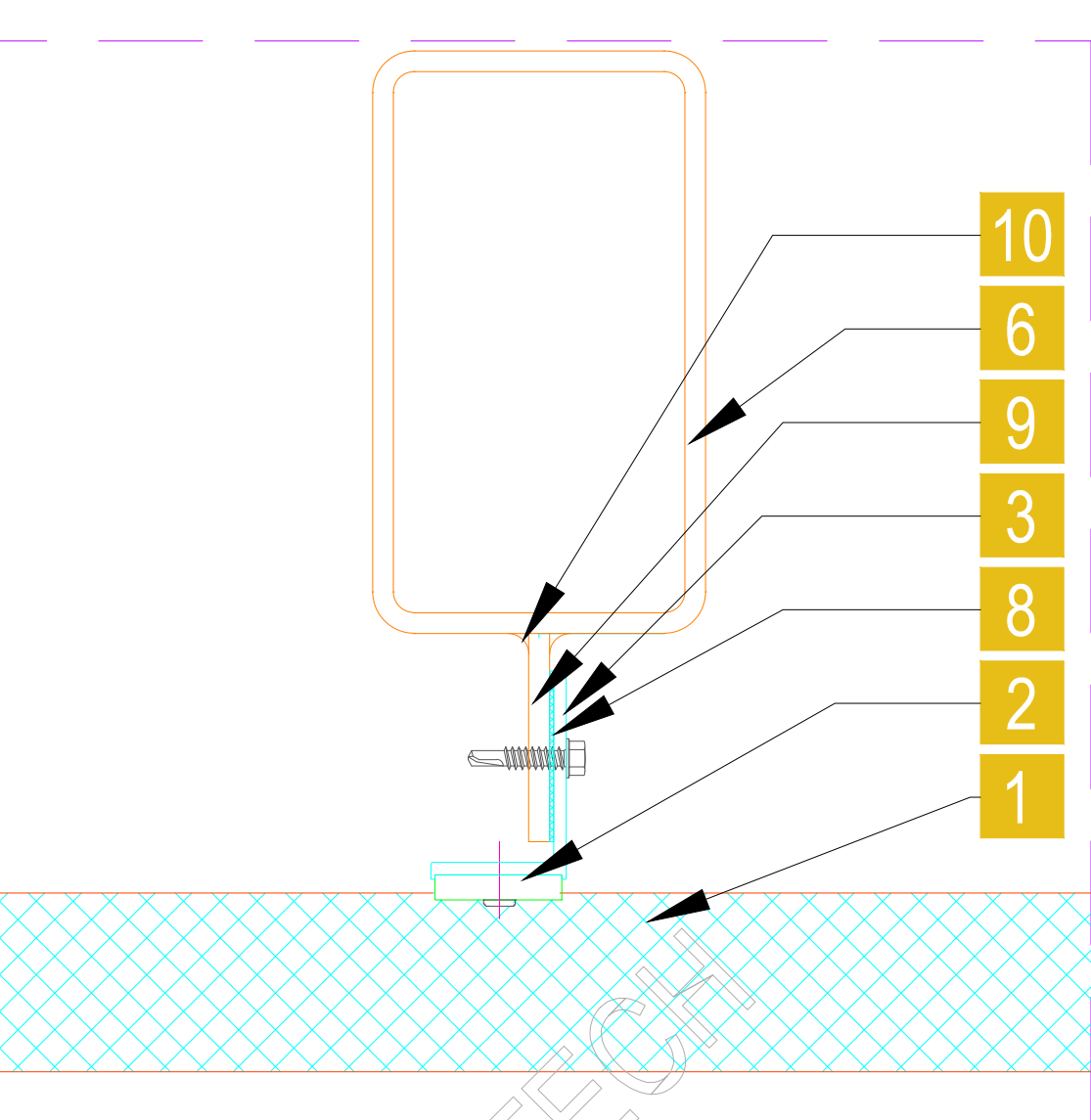
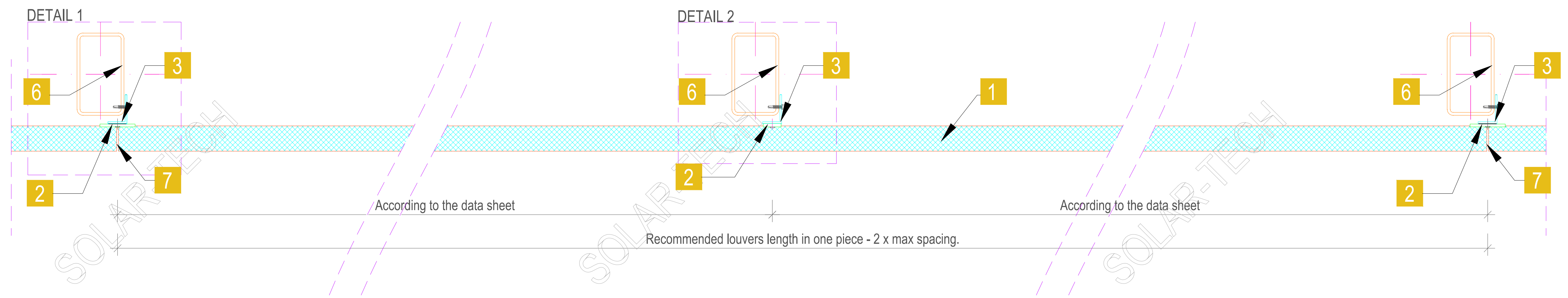
DETAIL 6.
Covering ver. 3
and installation "upside down".

CAUTION!

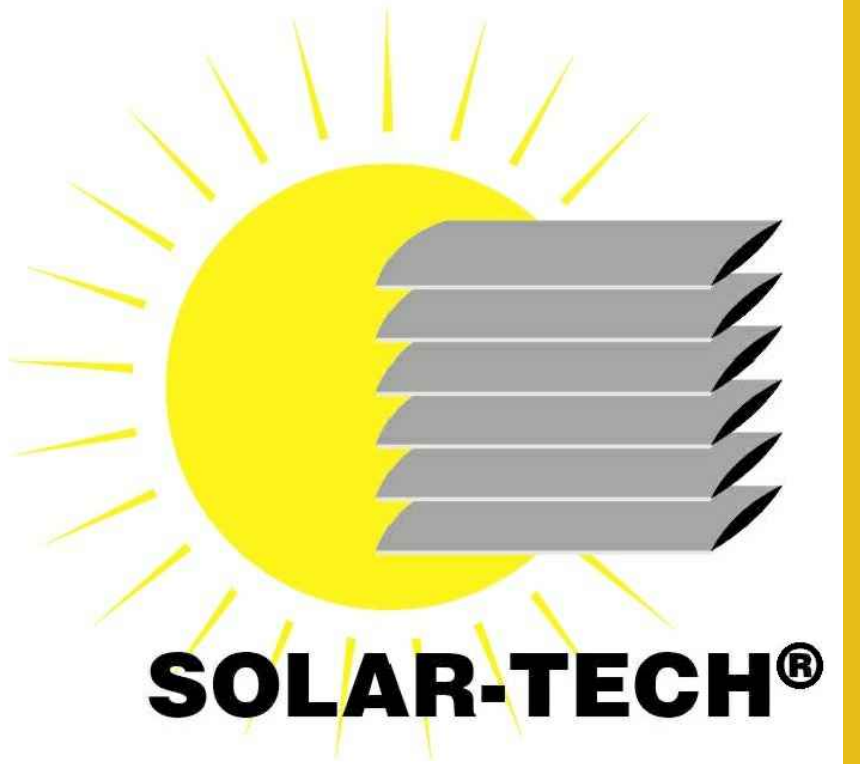
Presented solutions are only a sample. In any doubts, please contact the Solar - Tech company. Pole and beams shape and sizes according to the technical calculation.



SOLAR-TECH®



- 1 Aluminum profile Solar - Tech ST 75ZH
- 2 Aluminum profile Solar - Tech ST 75ZH(GRIP)
- 3 Aluminum profile Solar - Tech ST L50Z
- 4 Load bearing bracket
- 5 Bracket for sliding connections
- 6 Steel post/pole
- 7 Dilatation 1 - 1,5 mm/m
- 8 Spacer
- 9 Welded bracket
- 10 Weld
- 11 Aluminum bracket



CAUTION!
Presented solutions are only a sample. In any doubts, please contact the Solar - Tech company. Pole and beams shape and sizes according to the technical calculation.